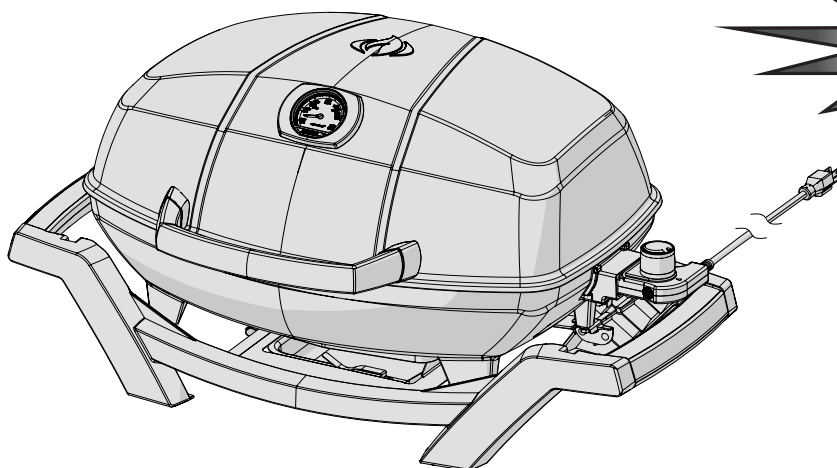



EN

FR
PG.15

ES
PG.29



DO NOT DISCARD
PRO285E

 **WARNING!** POTENTIAL SHOCK HAZARD

This appliance is rated for
220-240 VAC – 50/60 Hz
2200 W



WARNING! Failure to follow the instructions in this manual could result in fire or burn hazard which could cause property damage, personal injury or death. Read and follow all warnings and instructions in this manual prior to operating grill.



WARNING!

- For Outdoor Household Use Only
- When using powered appliances, basic safety precautions, including the following, should always be followed to reduce the risk of fire, electric shock, personal injury and material damage.
- Retain this manual for future reference.

Wolf Steel Ltd.
214 Bayview Drive,
Barrie, Ontario, CANADA L4N 4Y8
grills@napoleon.com



Intertek
www.napoleon.com

Napoleon President's 10 Year Limited Warranty



NAPOLEON products are designed with superior components and materials, and are assembled by trained craftsmen who take great pride in their work. This grill has been thoroughly inspected by a qualified technician before packaging and shipping to ensure that you, the customer, receive the quality product you expect from NAPOLEON.

NAPOLEON warrants that components in your new NAPOLEON product will be free from defects in material and workmanship from the date of purchase, for the following period:

Aluminum castings / stainless steel base	10 years
Porcelain-enameled grease shield	5 years full coverage, plus 50% off until the 10th year
Porcelain-enameled cast iron cooking grids	5 years full coverage, plus 50% off until the 10th year
Heating element and thermostat	2 years
All other parts	2 years

*Conditions and Limitations

This Limited Warranty creates a warranty period as specified in the aforementioned table, for any product purchased through an authorized NAPOLEON dealer, and entitles the original purchaser to the specified coverage in respect of any component replaced within the warranty period, either by NAPOLEON or an authorized NAPOLEON dealer, to replace a component of such product that has failed in normal private use as a result of a manufacturing defect. The "50% off" indicated in the table means the component is made available to the purchaser at a 50% discount off the regular retail price of the component for the period indicated. This Limited Warranty does not cover accessories or bonus items.

For greater certainty, "normal private use" of a product means that the product: has been installed by a licensed, authorized service technician or contractor, in accordance with the installation instructions included with the product and all local and national building and fire codes; has been properly maintained; and has not been used as a communal amenity or in a commercial application.

Similarly, "failure" does not include: over-firing, blow outs caused by environmental conditions such as strong winds or inadequate ventilation, scratches, dents, corrosion, deterioration of painted and plated finishes, discoloration caused by heat, abrasive or chemical cleaners or UV exposure, chipping of porcelain enameled parts, or damages caused by misuse, accident, hail, grease fires, lack of maintenance, hostile environments such as salt or chlorine, alterations, abuse, neglect or parts installed from other manufacturers.

Should deterioration of parts occur to the degree of non-performance (rusted through or burnt through) within the duration of the warranted coverage, a replacement part will be provided. The replacement component is the sole responsibility of NAPOLEON defined by this Limited Warranty; in no event will NAPOLEON be responsible for installation, labor or any other costs or expenses related to the re-installation of a warranted part, for any incidental, consequential, or indirect damages or for any transportation charges, labor costs or export duties.

This Limited Warranty is provided in addition to any rights afforded to you by local laws. Accordingly, this Limited Warranty imposes no obligation upon NAPOLEON to keep parts in stock. Based on the availability of parts, NAPOLEON may at its discretion discharge all obligations by providing a customer a prorated credit towards a new product. After the first year, with respect to this Limited Warranty NAPOLEON may, at its discretion, fully discharge all obligations with respect to this warranty by refunding to the original warranted purchaser the wholesale price of any warranted but defective part(s).

The bill of sale or copy will be required together with a serial number and a model number when making any warranty claims from NAPOLEON.

NAPOLEON reserves the right to have its representative inspect any product or part prior to honoring any warranty claim. You must contact NAPOLEON Customer Service or an authorized NAPOLEON dealer to obtain the benefit of the warranty coverage.



www.napoleon.com



SAVE THESE INSTRUCTIONS

CAUTION! Risk of electric shock. If an extension cord is used, it must be a grounding-type 3-wire cord. Its marked electrical rating must be at least as great as the electrical rating of the appliance. Suitable outdoor extension cords are surface marked with the suffix letter "W" and have a tag stating "Suitable for use with outdoor appliances." The cord must be arranged so that it will not drape over a tabletop where it can be pulled by children or tripped over unintentionally. The connection to the extension cord must be kept dry and off the ground. Never connect two or more extension cords together.

IMPORTANT SAFEGUARDS

- Use this grill only as described in this manual. Any other use not recommended in this manual may cause fire, electric shock, or injury to persons.
- Do not use the appliance for other than intended use.
- This grill is intended for outdoor household use only. Do not use indoors or for commercial cooking.
- Do not in any way alter this product or its use.
- Do not use charcoal or other combustible fuels in this grill. This grill is not designed for charcoal use and a fire could result. The fire could create an unsafe condition and damage to the grill.
- Do not build this model of grill in any built-in or slide-in construction. Ignoring this warning could cause a fire or an explosion that may damage property or cause serious bodily injury or death.
- The use of accessory attachments not specifically recommended by Napoleon may cause injuries.
- Do not place on or near a hot gas or electric burner, or in a heated oven.

Electrical Safeguards:

- This appliance conforms to technical standards and the safety requirements for electrical devices.
- Always ensure that the electrical outlet being used has the correct voltage according to the input power of the appliance. Outlets must also be suitable for equipment with a power consumption of 1500 Watts.
- Make sure no other high wattage appliances are plugged into the same circuit when using grill.
- The appliance must only be connected to a properly grounded outlet.
- The electricity supply should be provided through a residual current device (RCD) having a rated residual operating current not exceeding 30 mA.
- Do not operate unit if plug receptacle is damaged.
- The power cord should be regularly examined for signs of damage, and the appliance is not to be used if the cord is damaged.
- Do not operate the grill with a thermostat that has a damaged cord or plug. If the supply cord is damaged, it must be replaced by a special assembly available from Napoleon or a Napoleon authorized dealer.
- Only use the thermostat specified by Napoleon: Z690-0003 (DCT-002B).

Safe Operation:

- Always plug the thermostat into the grill before plugging the power cord into the outlet. When removing the thermostat from the grill, unplug it from the outlet first.
- Do not attempt to insert the thermostat unless the element is secured in the base casting.
- Always insert the thermostat into the element with the knob facing upwards.
- Pulling controller by the knob could cause it to come off. Remove thermostat by gripping on its side.
- If a flare up occurs, do not use water to put out fire. Turn the grill to OFF. Unplug the power cord and wait for the grill to cool.
- Keep the plug and cord dry when in use. Do not use the electric grill in the rain.
- Operate grill only on a level, stable surface.
- Do not touch hot surfaces. Use handles or knobs.
- Do not allow the cord to hang over table edges, or touch hot surfaces.
- The grease tray must be in place at all times during grill operation.
- Do not move the grill while it is in use.
- Do not leave grill unattended whenever in use.
- Keep young children, elderly and pets away while the grill is in use. This appliance is not intended for use by persons (including children) with reduced physical, sensory or mental capabilities, or lack of experience and knowledge, unless they have been given supervision or instruction concerning use of the appliance by a person responsible for their safety.
- Do not use grill near combustible materials such as wood, dry grass, shrubs, etc.
- Do not allow grill to come into contact with flammable materials such as paper, walls, draperies, towels, chemicals, etc.
- Do not use the grill in high traffic areas. Locate power cord away from traffic areas.
- To protect the barbecue, do not use the grill within 3 m / 10 feet of pool, pond or other body of water.
- Do not use as a heater.
- Allow the appliance and any collected grease or food drippings to cool before moving or storing it.

Cleaning:

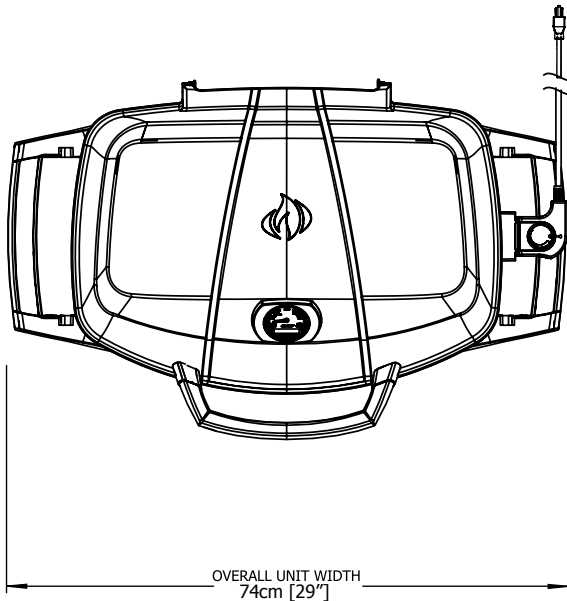
- Clean the drip pan regularly.
- Unplug the grill before cleaning. Allow to cool before removing or installing parts.
- Do not immerse electrical components in water when cleaning.
- To protect against electrical shock, do not immerse plug, cord or thermostat in water or any liquid. Do not clean the grill by spraying water.

Storage:

- Unplug the grill when not in use and keep the plug and cord dry.
- Do not leave thermostat in the ON position during periods of non-use.
- Store the grill indoors when not in use - out of the reach of children.
- During long periods of non-use, remove the thermostat from grill.

SAVE THESE INSTRUCTIONS

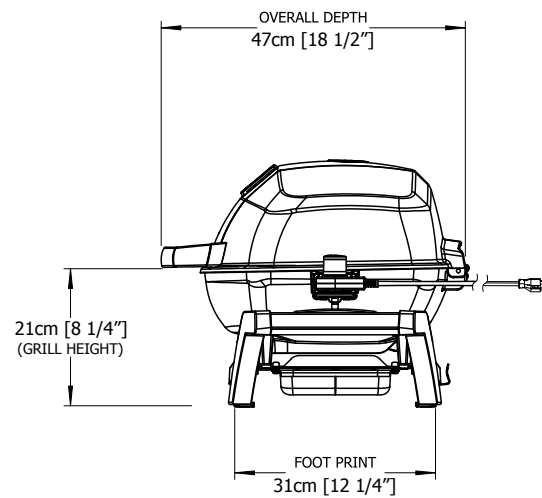
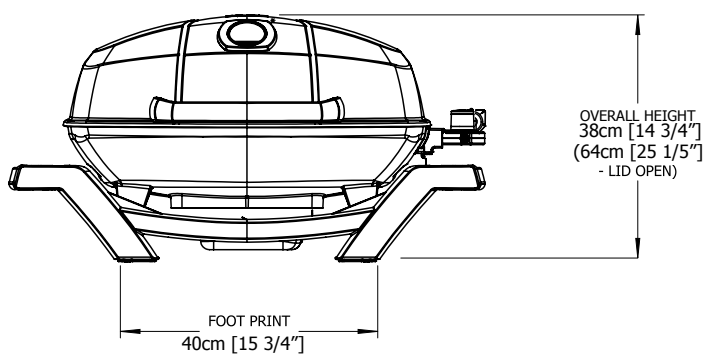
DIMENSIONS



PRO285E GRILL

GRILL SIZE: 37cm X 54cm (IRREGULAR) = 1840 cm² (14 1/2" X 21 1/4" (IRREGULAR) = 285 in²)

ALL DIMENSIONS ARE APPROXIMATE



CAUTION! During unpacking and assembly we recommended you wear work gloves and safety glasses for your protection.

WARNING: This product can expose you to chemicals including di(2-ethylhexyl)phthalate, which are known to the State of California to cause cancer and birth defects or other reproductive harm. For more information go to www.P65Warnings.ca.gov.

Cooking Instructions



WARNING! Do not use this grill under extended awnings. Failure to follow these instructions could result in a fire or personal injury.



DANGER! Allow the grill to cool to the touch before moving or storing. Failure to do so could result in a fire resulting in property damage, personal injury or death.

When lit for the first time, the grill will emit a slight odour. This is a normal temporary condition caused by the burning of internal paints and lubricants used in the manufacturing process and will not occur again. Simply run the thermostat on high with the lid open for approximately ½ hour. When cooking very lean meats, such as chicken breasts, or lean pork, the grids can be oiled before pre-heating to reduce sticking. Cooking meat with a high degree of fat content may create flare-ups. Either trim some fat or reduce temperatures to prevent this.

Grilling Chart

Preheat on HIGH for 15-20 minutes with a closed lid, then set to desired temperature. This is a guideline for cooking in outdoor temperature of 22°C.

To add a trademark taste to your cooking, try the Napoleon woodchip smoker as an optional accessory with mesquite- or hickory-flavoured woodchips.

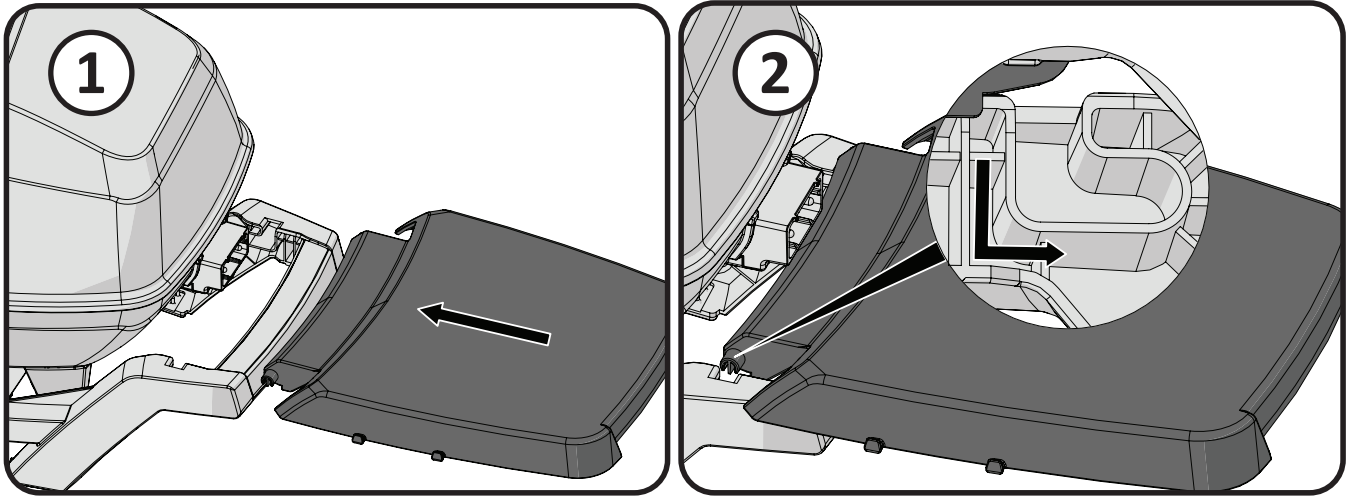
Food	Control Setting	Cooking Time	Helpful Suggestions
Steak 2.54 cm (1 in.) thick	High setting, 2 min. each side	4 min. – Rare	When selecting meat for grilling, ask for marbled fat distribution. The fat acts as a natural tenderizer while cooking and keeps it moist and juicy.
	High setting, 2 min. each side then Medium setting	6 min. – Medium	
	High setting, 2 min. each side then Medium setting	8 min. – Well done	
Hamburger 1.27 cm (1/2 in.) thick	High setting, 2 min. each side	4 min. – Rare	Preparing hamburgers to order is made easier by varying the thickness of your patties.
	High setting, 2 1/2 min. each side	5 min. – Medium	
	High setting, 3 min. each side	6 min. – Well done	
Chicken pieces	High setting, 2 min. each side then Medium-Low to Low setting	20-25 min.	The joint connecting the thigh and the leg from the skinless side should be sliced 3/4 of the way though for the meat to lay flatter on the grill. This helps it to cook faster and more evenly.
Pork chops	Medium	6 min. per side	Trim off the excess fat before grilling. Choose thicker chops for more tender results.
Spare ribs	High setting for 5 minutes Low to finish	20 min. per side turn often	Choose ribs that are lean and meaty. Grill until meat easily pulls away from the bone.
Lamb chops	High setting for 5 minutes Medium to finish	15 min. per side	Trim off the excess fat before grilling. Choose extra thick chops for more tender results.
Hot dogs	Medium - Low	4-6 min.	Select the larger size wieners. Slit the skin lengthwise before grilling.

Troubleshooting

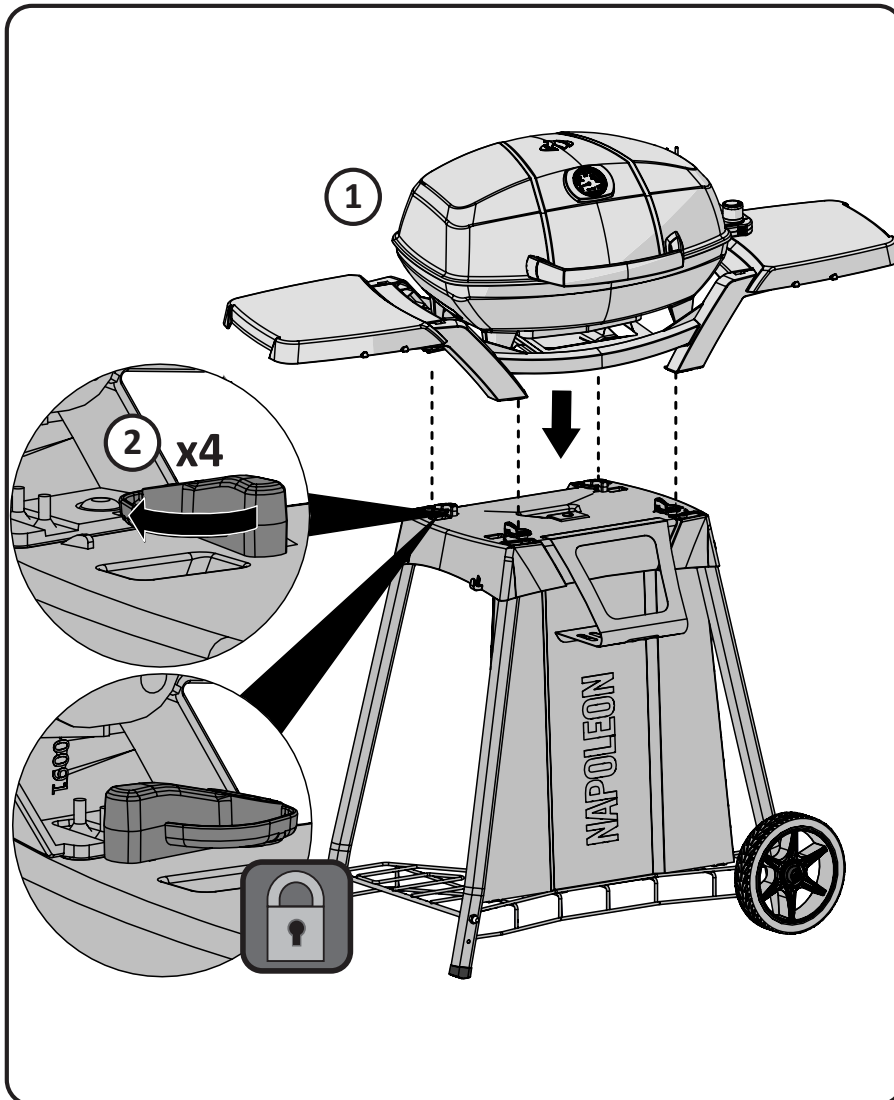
Problem	Possible Causes	Solution
No heat	Thermostat turned off. No power. Faulty thermostat or grill plate.	Turn thermostat to maximum setting. Ensure thermostat is fully seated in grill plate and properly plugged into outlet. Try another outlet. Check for tripped circuit breaker. Reset. Turn thermostat to maximum setting. Pre-heat grill with lid closed for 15-20 minutes. Replace thermostat or grill plate.
Low heat.	Improper preheating Excessive buildup in base of grill.	Preheat 15-20 minutes. Increase thermostat setting. Clean out excessive debris in base.
Excessive flare-ups/ uneven heat.	Excessive fat in meat. Excessive cooking temperature. Grease buildup.	Trim fat from meat before grilling. Adjust temperature as needed. Clean grill.
Circuit breaker trips or fuse blows.	Power surge Another appliance plugged into same circuit as grill. Moisture or water in thermostat or electrical connections.	Turn controller to OFF position before plugging into electrical outlet. Do not use other electrical appliances on same circuit. Keep thermostat and electrical components dry.

OPTIONAL SHELF

EN



OPTIONAL STAND





Cleaning Instructions

WARNING! Always wear protective gloves and safety glasses when servicing your grill.

WARNING! To avoid the possibility of burns, maintenance should be done only when the grill is cool. Avoid unprotected contact with hot surfaces. Ensure grill is turned off. Clean grill in an area where cleaning solutions will not harm decks, lawns, or patios. Do not use oven cleaner to clean any part of this grill. Do not use a self-cleaning oven to clean cooking grids or any other parts of the grill. Barbecue sauce and salt can be corrosive and will cause rapid deterioration of the grill components unless cleaned regularly.

Cast Iron Cooking Grids: The cast iron cooking grids supplied with your new grill offer superior heat retention and distribution. By regularly seasoning your grids you are adding a protective coating, which will aid in resisting corrosion and increase your grids non-stick capabilities.

First Time Use: Wash the cast iron grids by hand with mild dish soap and water to remove any residue from the manufacturing process (never wash in a dish washer). Rinse thoroughly with hot water and dry completely with a soft cloth. This is important to avoid moisture from entering the cast iron. When lit for the first time, the grill will emit a slight odour.

Seasoning: Using a soft cloth, spread VEGETABLE SHORTENING over the entire grid surface ensuring all grooves and corners are covered. Do not use salted fats such as butter or margarine. Pre-heat your grill for 15 minutes, then place the seasoned cooking grids in the grill. Turn the burner control knobs to medium with the lid closed. Allow the cooking grids to heat for approximately one-half hour. Turn the controller to OFF and let the cooking grids stand until cool. This procedure should be repeated several times throughout the season, although it is not required for daily use (follow daily usage procedure below).

Daily Usage: Before pre-heating and cleaning with a brass wire grill brush, coat the entire top surface of the cooking grids with vegetable shortening. Pre-heat the grill and then brush away any unwanted residue with a brass wire brush.

Cleaning Inside The Grill: Remove the cooking grids. Use a soft brass wire brush to clean loose debris from the insides of the lid. Brush all debris from inside the grill into the removable drip pan. Remove the base liner (drip pan grease catcher). Do not use abrasive cleaners to clean the porcelain base liner. To remove stubborn stains, soak in soapy water to loosen dirt. Clean with a non-abrasive cleaner and buff dry with a clean cloth. Ensure that the grill plate is placed properly when reinstalled.

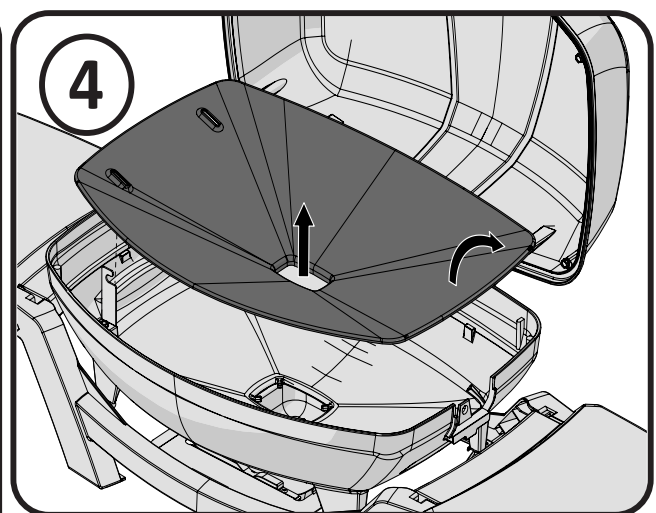
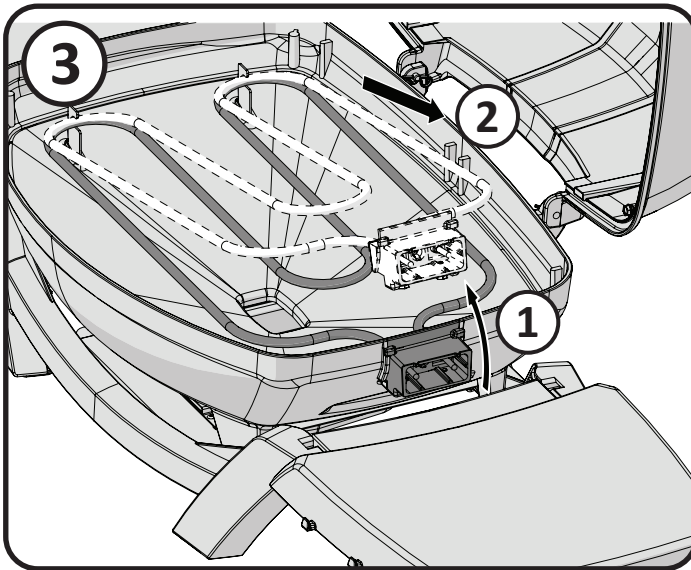
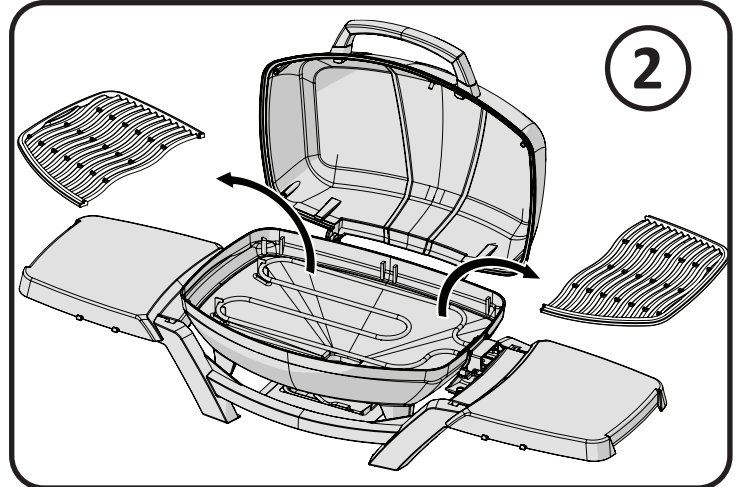
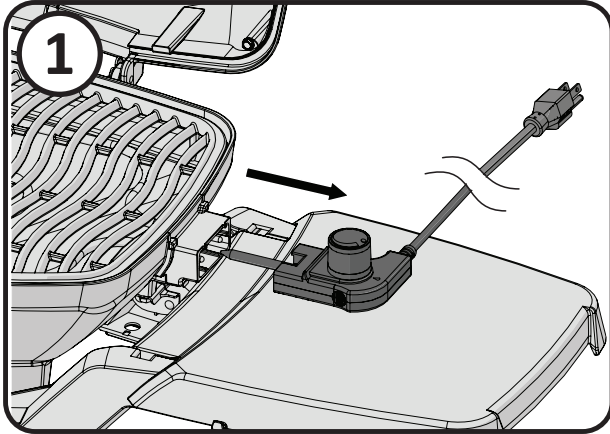
Drip Pan: Slide the drip pan out for easy cleaning. It should be cleaned frequently (every 4-5 uses) to avoid grease buildup. Grease and excess drippings accumulate in the drip pan located under the grill. Accumulated grease can cause a fire hazard. Do not line the drip pan with aluminum foil, as it can prevent the proper amount of air needed for burner to operate. The pan should be scraped out with a putty knife or scraper.

Cleaning the Outside of the Grill: Do not use any abrasive cleaners to clean painted parts. To protect the enamel finish, use a mild detergent with soft cloth or brush to wipe away and remove any acidic residue. Buff dry with a clean cloth.

Cleaning Steps

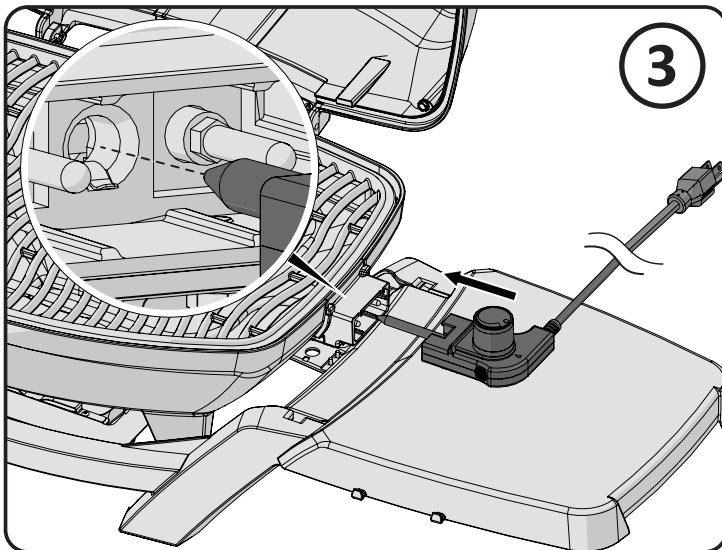
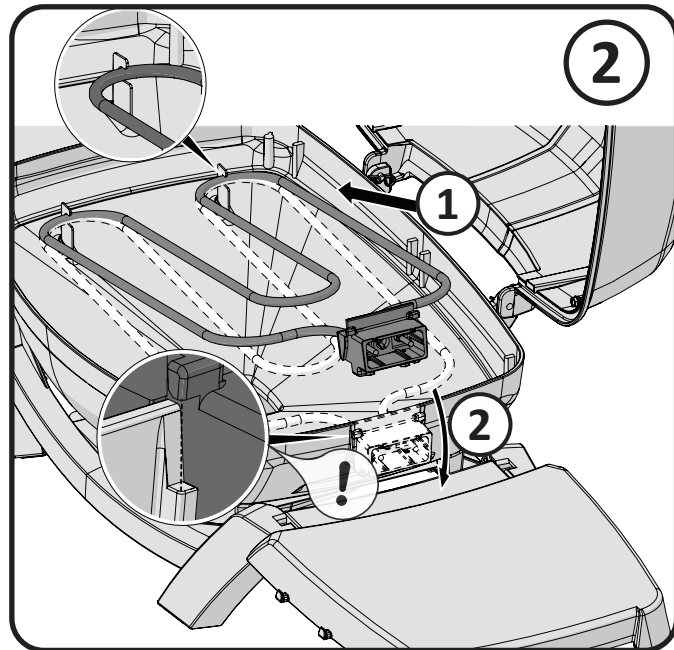
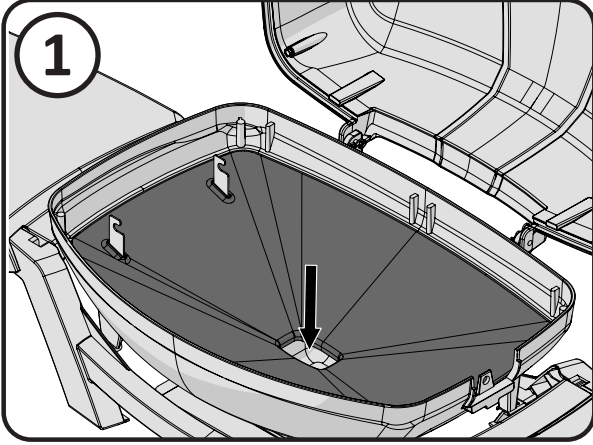
Disassembly:

1. Unplug the cord from wall and remove the thermostat.
2. Remove cooking grids.
3. Lift heating element out of grill.
4. Remove the base liner.



Reassembly:

1. Reinsert the base liner.
2. Place the curved ends of the heating element back into its support clips. Lower the heating element into place.
3. Reinsert the thermostat and cooking grids.



CAUTION! Do not attempt to insert the thermostat into the element, unless the element is secured in the base casting.

KEEP YOUR RECEIPT AS PROOF OF PURCHASE TO VALIDATE YOUR WARRANTY.

Ordering Replacement Parts

EN

Warranty Information

MODEL: _____

DATE OF PURCHASE: _____

SERIAL NUMBER: _____

(Record information here for easy reference)

For replacement parts and warranty claims, contact the Napoleon dealer where the product was purchased. Before contacting the dealer, check the Napoleon Grills Website for more extensive cleaning, maintenance, troubleshooting and parts replacement instructions at www.napoleon.com.

To process a claim, the following information is required:

1. Model and serial number of the unit.
2. Part number and description.
3. A concise description of the problem ('broken' is not sufficient).
4. Proof of purchase (photocopy of the invoice).

In some cases, Napoleon could request to have the parts returned to the factory for inspection before providing replacement parts.

Before contacting Napoleon dealer, please note that the following items are not covered by the warranty:

- Costs for transportation, brokerage or export duties.
- Labour costs for removal and reinstallation.
- Costs for service calls to diagnose problems.
- Discolouration of stainless steel parts.
- Part failure due to lack of cleaning and maintenance, or use of improper cleaners (oven cleaner or other harsh chemicals).

Parts List

EN

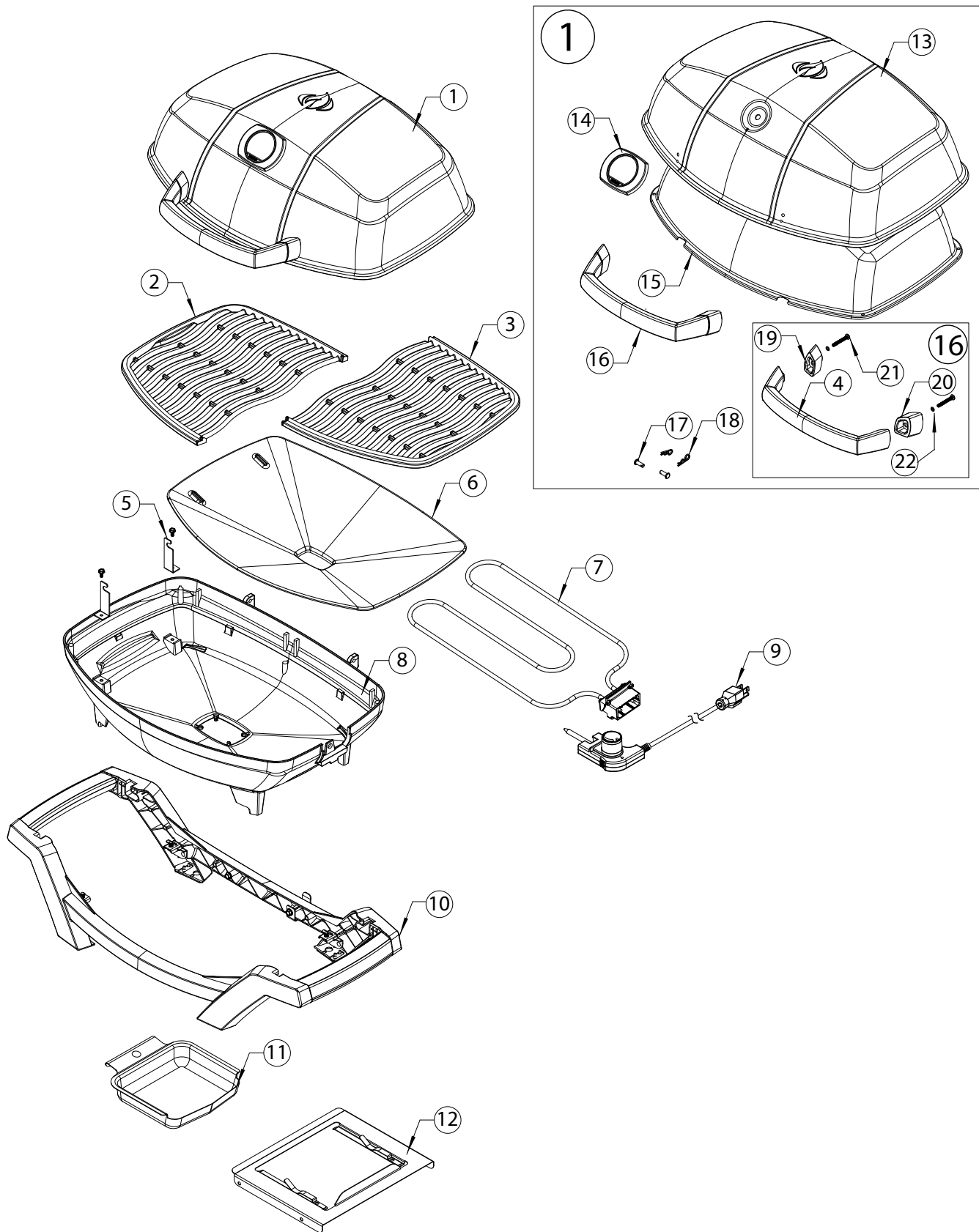
ITEM	PART NUMBER	DESCRIPTION	285
1	N010-1008-SER	lid assembly	x
2	Z305-0012-BK2FL	cooking grids left	x
3	Z305-0013-BK2FL	cooking grids right	x
4	N325-0083-SER	lid handle	x
5	N370-0861-SER	element bracket front/ rear	x
6	Z585-0015-BK2GL	base liner	x
7	Z010-0049	element	x
8	Z135-0003-BK1HT	base casting	x
9	Z690-0003	thermostat	x
10	N010-1009-SER	cradle assembly	x
	N075-0091	leg cradle front/ back	x
	N075-0091-EQ	leg cradle front EQ	x
11	N710-0079	drip pan	x
12	N010-0830	drip pan plate assembly	x
13	N135-0048-BK1HG	lid casting	x
14	N685-0023	temperature guage	x
15	Z585-0014	lid heat shield	x
16	N010-1010-SER	lid handle assembly	x
17	N485-0023	clevis pin 6MM X16MM	x
18	N485-0021	hairpin cotter pin 2MM X 28MM	x
19	N655-0179	lid handle support left	x
20	N655-0180	lid handle support right	x
21	N570-0107	pan head screw 10-24 30 MM	x
22	Z735-0009	lock washer M5	x
	PRO285-STAND	optional cart and shelves	ac
	62006	replacement grease trays (5)	ac

x - standard ac - accessory



Parts Diagram

EN

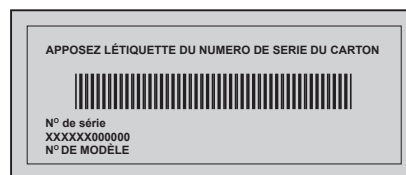




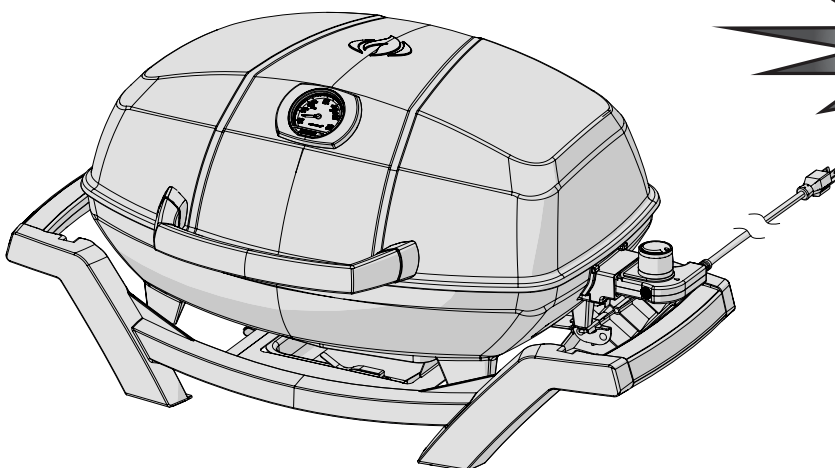
Notes

EN





FR



AVERTISSEMENT !
RISQUE DE CHOC POTENTIEL

Cet appareil est conçu pour
220-240 V – 50/60 Hz
2200 W



AVERTISSEMENT ! Le non-respect des instructions contenues dans ce manuel pourrait entraîner un danger de brûlure, d'usure ou d'explosion, ce qui pourrait causer des dommages matériels, des blessures corporelles ou la mort. Lisez et suivez tous les avertissements et instructions de ce manuel avant d'utiliser le barbecue.



AVERTISSEMENT !

- Pour extérieur usage domestique seulement.
- Lors de l'utilisation d'appareils sous tension, des mesures de sécurité basiques, y compris les suivantes, doivent toujours être suivies pour réduire les risques d'incendies, de chocs électriques, de blessures corporelles et de dommages matériels.
- Conservez ce manuel afin de pouvoir le consulter ultérieurement si nécessaire.

Wolf Steel Ltd.
214 Bayview Drive,
Barrie, Ontario, CANADA L4N 4Y8
grills@napoleon.com



Intertek
www.napoleon.com

Garantie limitée à vie de 10 ans de Napoléon



Les produits NAPOLÉON sont conçus avec des composants et des matériaux de qualité supérieure, assemblés par des artisans qualifiés qui sont fiers de leur travail. Ce grill a été soigneusement inspecté par un technicien qualifié avant d'être emballé et expédié pour garantir que vous, le client, recevez le produit de qualité dont vous vous attendez de la part de NAPOLÉON.

FR

NAPOLÉON garantit que les composants de votre nouveau produit NAPOLÉON seront exempts de défauts de matériau ou de fabrication à compter de la date de l'achat, et ce, pour la durée suivante :

Pièces en fonte d'aluminium/base en acier inoxydable	10 ans
Blindage de graisse en porcelaine émaillée	5 ans de pleine garantie, après plus 50 % de rabais jusqu'à la 10^{ème} année
Grilles en fonte émaillée en porcelaine	5 ans de pleine garantie, après plus 50 % de rabais jusqu'à la 10^{ème} année
Élément chauffant et régulateur de température	2 ans
Toutes les autres pièces.....	2 ans

*Conditions et limitations

La présente garantie limitée couvre une période de garantie telle que spécifiée dans le tableau ci-dessus pour tout produit acheté par l'entremise d'un détaillant autorisé NAPOLÉON et donne droit à l'acheteur d'origine à la couverture spécifiée relativement à tout composant remplacé durant la période de garantie, que ce soit par NAPOLÉON ou un détaillant autorisé NAPOLÉON, pour le remplacement de tout composant qui présente une défaillance dans le cadre d'un usage privé normal à la suite d'un défaut de fabrication. La mention « 50 % de rabais » indiquée dans le tableau signifie que le composant est mis à disposition de l'acheteur à 50 % de son prix de détail courant pour la période indiquée. La présente garantie limitée ne couvre ni les accessoires ni les articles offerts gratuitement.

Il est entendu que l'« usage privé normal » d'un produit signifie que le produit : a été installé par un technicien de service ou entrepreneur certifié, conformément aux instructions d'installation incluses avec le produit et à tous les codes d'incendie et de construction locaux et nationaux; a été entretenu correctement; et n'a pas été utilisé dans une application à usage collectif ou commercial.

De la même manière, « défaillance » n'inclut pas : la surchauffe, les extinctions causées par des conditions environnementales telles que des vents forts ou une ventilation inadéquate, les égratignures, les bosses, la corrosion, la détérioration des finis peints et plaqués, la décoloration due à la chaleur, aux nettoyants abrasifs ou chimiques ou à l'exposition à des rayons UV, l'écaillage des pièces en porcelaine émaillée ou les dommages causés par un mauvais usage, un accident, la grêle, des feux de graisse, un manque d'entretien, un environnement inadéquat tel que le sel ou le chlore, des altérations, des abus, des négligences ou des pièces installées par d'autres fabricants.

Dans le cas d'une détérioration des composants causant le mauvais fonctionnement de l'appareil (perforation par la rouille ou la surchauffe) pendant la période couverte par la garantie, les pièces de rechange seront fournies par NAPOLÉON. Les composants de rechange relèvent de la seule responsabilité de NAPOLÉON telle que définie par la présente garantie limitée; en aucun cas, NAPOLÉON ne saurait être tenu responsable de l'installation, de la main-d'œuvre ou de tous autres coûts ou dépenses relatifs à la réinstallation d'une pièce garantie, de tous dommages accessoires, consécutifs ou indirects ni de tous frais de transport, de main-d'œuvre ou taxes d'exportation.

La présente garantie limitée vient s'ajouter à tous les droits qui vous sont accordés par la législation locale. Par conséquent, la présente garantie limitée n'impose pas à NAPOLÉON l'obligation de garder des pièces en stock. En fonction de la disponibilité des pièces, NAPOLÉON peut, à sa discrétion, se libérer de toute obligation en fournissant à un client un crédit au prorata applicable à un nouveau produit. Après la première année, NAPOLÉON peut, à sa discrétion, se libérer entièrement de toute obligation en ce qui concerne la présente garantie limitée en remboursant à l'acheteur d'origine le prix de gros de toute pièce garantie et défectueuse.

La facture ou une copie sera requise ainsi que le numéro de série et le numéro de modèle lors d'une réclamation auprès de NAPOLÉON.

NAPOLÉON se réserve le droit de demander à son représentant d'inspecter tout produit ou pièce avant d'honorer toute réclamation. Pour pouvoir bénéficier de la couverture de garantie, vous devez contacter le service à la clientèle de NAPOLÉON ou un détaillant autorisé NAPOLÉON.



www.napoleon.com

CONSERVEZ CES INSTRUCTIONS

ATTENTION! Risque de décharge électrique. Si une rallonge est utilisée, elle doit être un cordon à trois fils mis à la terre. Le calibre de la rallonge doit être égal ou supérieur à celui de l'appareil. Les rallonges d'extérieur convenables sont identifiées par le suffixe «W» et accompagnées d'une étiquette portant la mention « Convient pour utilisation avec des appareils d'extérieur ». La rallonge doit être disposée de sorte qu'elle ne pende pas par-dessus une table, où des enfants pourraient tirer dessus ou trébucher dessus involontairement. La connexion à la rallonge doit demeurer sèche et hors de contact avec le sol. Ne jamais raccorder deux rallonges ou plus ensemble.

Consignes de sécurité

- Utilisez le gril uniquement de la manière décrite dans le manuel. Tout autre usage non recommandé dans ce manuel risque de causer un incendie, une décharge électrique ou des blessures.
- N'utilisez pas l'appareil pour un usage autre que celui prétendu.
- Ce gril est conçu pour un usage extérieur domestique seulement. Ne l'utilisez pas à l'intérieur ni à des fins commerciales.
- N'altérez pas ce produit ni son usage de quelques façons que ce soient.
- N'utilisez pas de briquettes ni autres matières combustibles dans ce gril. Ce gril n'est pas conçu pour un usage avec des briquettes; un feu pourrait en résulter. Ce feu pourrait créer des conditions dangereuses et endommager le gril.
- Ne placez pas ce gril dans une installation encastrée ou coulissante. Omettre cette consigne peut entraîner un incendie ou une explosion, causant des dommages matériels, des blessures corporelles graves ou la mort.
- L'utilisation d'accessoires non recommandés par Napoléon peut causer des blessures.
- Ne placez pas sur ou près d'un brûleur électrique ou à gaz chaud, ou dans un four chaud.

Précautions électriques:

- Cet appareil est conforme aux normes techniques et aux exigences de sécurité pour les appareils électriques.
- Assurez-vous toujours que la tension de la prise de courant utilisée convient à la puissance d'entrée de l'appareil. Les prises doivent aussi convenir à l'équipement dont la consommation d'énergie est de 1 500 watts.
- Assurez-vous qu'aucun autre appareil de grande puissance électrique n'est branché sur le même circuit lorsque vous utilisez le gril.
- L'appareil ne doit être branché qu'à une prise adéquatement mise à la terre.
- L'alimentation électrique doit être fournie par un dispositif différentiel à courant résiduel (DDR) ayant un courant de fonctionnement résiduel nominal ne dépassant pas 30 mA.
- Ne faites pas fonctionner l'appareil si la prise est endommagée.
- Inspectez régulièrement le cordon d'alimentation pour y déceler tout signe d'endommagement; l'appareil ne doit pas être utilisé si le cordon est endommagé.
- Ne faites pas fonctionner le gril avec un contrôleur de température dont le cordon ou la fiche est endommagé. Si le cordon d'alimentation est endommagé, il doit être remplacé par un ensemble spécial fourni par Napoléon ou par un détaillant autorisé de Napoléon.
- Utilisez uniquement le thermostat recommandé par Napoléon. Z690-0003 (DCT-002B)

Fonctionnement sécuritaire:

- Branchez toujours le contrôleur de température dans le gril avant de brancher le cordon d'alimentation dans la prise. Lorsque vous voulez retirer le contrôleur de température du gril, débranchez d'abord le cordon d'alimentation de la prise.
- En tirant le contrôleur par le bouton, vous risquez de le briser. Retirez le contrôleur de température en le tenant par le côté.
- Si une poussée de flamme survient, n'utilisez pas d'eau pour éteindre le feu. Éteignez le gril. Débranchez le cordon d'alimentation et attendez que le gril refroidisse.
- Assurez-vous que la fiche et le cordon sont secs lorsque vous utilisez l'appareil. N'utilisez pas le gril électrique sous la pluie.
- Utilisez le gril uniquement sur une surface horizontale et stable.
- Ne touchez pas aux surfaces chaudes. Utilisez les poignées ou les boutons.
- Ne laissez pas le cordon pendre sur les bords de la table ni toucher les surfaces chaudes.
- Le récipient à graisse doit être en place en tout temps lorsque le gril est en marche.
- Ne déplacez pas le gril lorsqu'il est en marche.
- Ne laissez jamais le gril sans surveillance lorsqu'il est en marche.
- Ne laissez pas les jeunes enfants, les personnes âgées et les animaux s'approcher du gril lorsqu'il est en marche. Cet appareil ne doit pas être utilisé par des personnes (y compris les enfants) dont les capacités physiques, sensorielles ou mentales sont réduites ou qui manquent d'expérience ou de connaissances, à moins qu'elles soient supervisées ou qu'elles aient reçu des instructions au sujet de l'utilisation de l'appareil par une personne responsable de leur sécurité.
- N'utilisez pas le gril près de matériaux combustibles comme du bois, de l'herbe sèche, des arbustes, etc.
- Ne laissez pas le gril entrer en contact avec des matériaux inflammables comme du papier, des murs, des rideaux, des serviettes, des produits chimiques, etc.
- N'utilisez pas le gril dans des endroits très passants. Éloignez le cordon d'alimentation des endroits passants.
- Afin de protéger le barbecue, gardez une distance de 3 m/10 pi entre le gril et les piscines, étangs et autres étendues d'eau.
- N'utilisez pas le gril comme appareil de chauffage.
- Laissez refroidir l'appareil ainsi que tous les résidus de cuisson (graisse ou aliments) accumulés avant de le déplacer ou de le ranger.

Nettoyage:

- Nettoyez régulièrement le plateau d'égouttement.
- Débranchez le gril avant de le nettoyer. Laissez l'appareil refroidir avant d'enlever ou d'installer des pièces.
- Ne plongez pas les composants électriques dans l'eau lors du nettoyage.
- Afin de vous protéger contre les décharges électriques, ne plongez pas la fiche, le cordon d'alimentation ou le contrôleur de température dans l'eau ou tout autre liquide. Ne nettoyez pas le gril en le vaporisant d'eau.

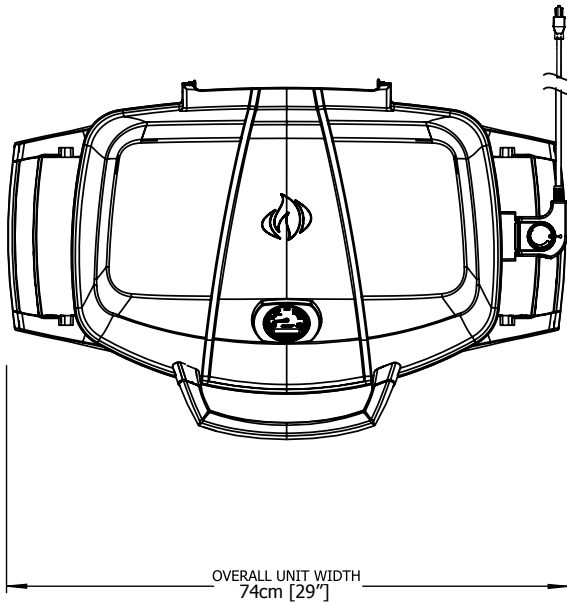
Rangement:

- Débranchez le gril lorsqu'il n'est pas utilisé et assurez-vous que la fiche et le cordon sont au sec.
- Ne laissez pas le contrôleur de température en position allumée lorsque le gril n'est pas utilisé.
- Rangez le gril à l'intérieur lorsqu'il n'est pas utilisé, hors de la portée des enfants.
- Si vous n'utilisez pas le gril pendant une longue période, retirez le contrôleur de température.

CONSERVEZ CES INSTRUCTIONS

DIMENSIONS

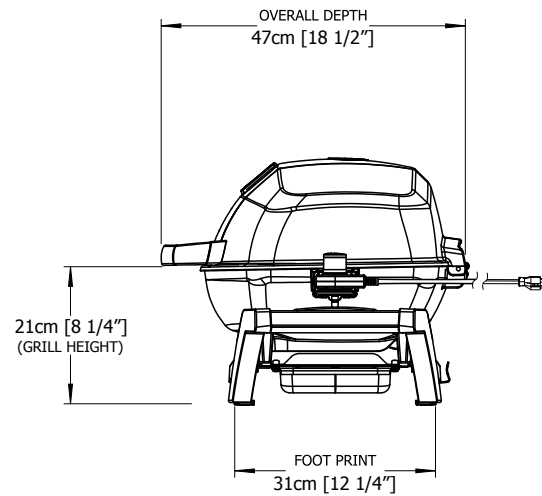
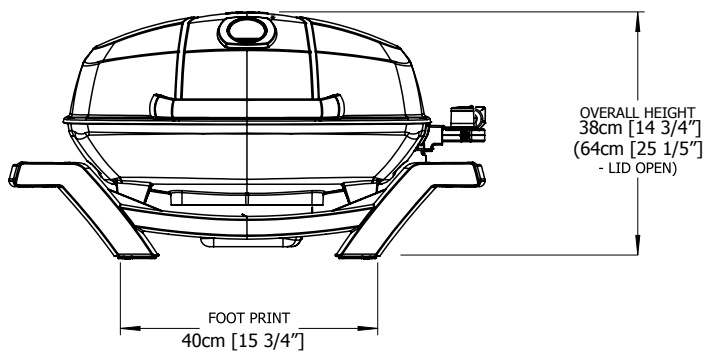
FR



PRO285E GRILL

GRILL SIZE: 37cm X 54cm (IRREGULAR) = 1840 cm² (14 1/2" X 21 1/4" (IRREGULAR) = 285 in²)

ALL DIMENSIONS ARE APPROXIMATE



ATTENTION! Lors du déballage et de l'assemblage, nous vous conseillons de porter des gants de travail et des lunettes de sécurité pour votre protection.

AVERTISSEMENT: Ce produit peut vous exposer à des substances chimiques incluant le di(2-éthylhexyl) phtalate qui, selon l'État de Californie, causeraient le cancer et des malformations congénitales ou autres dangers pour la reproduction. Pour de plus amples renseignements, visitez le www.P65Warnings.ca.gov.

Instructions d'opération



AVERTISSEMENT! Ne pas utiliser cet appareil sous un auvent. Le non respect de cette mesure de sécurité pourrait entraîner un incendie ou de blessures.



DANGER! Attendre que le grill soit froid avant de le ranger. Le non respect de cette mesure de sécurité pourrait entraîner un incendie causant des dommages à la propriété, des blessures ou la mort.

Lorsqu'il sera allumé pour la première fois, le barbecue laissera échapper une légère odeur. Il s'agit d'un problème temporaire complètement normal, qui est causé par la combustion de peintures internes et de lubrifiants utilisés lors de la fabrication. Ce problème ne se reproduira plus. Pour y remédier, il suffit de faire fonctionner la sonde de température sur le dessus tout en maintenant le couvercle ouvert pendant environ une heure. Lors de la cuisson de viandes très maigres, comme le blanc de poulet ou le porc maigre, les grilles peuvent être huilées avant le préchauffage afin de réduire l'adhérence. La cuisson de la viande avec une forte teneur en matières grasses peut créer un embrasement. Enlevez un peu de gras ou réduisez les températures pour éviter ce problème.

FR

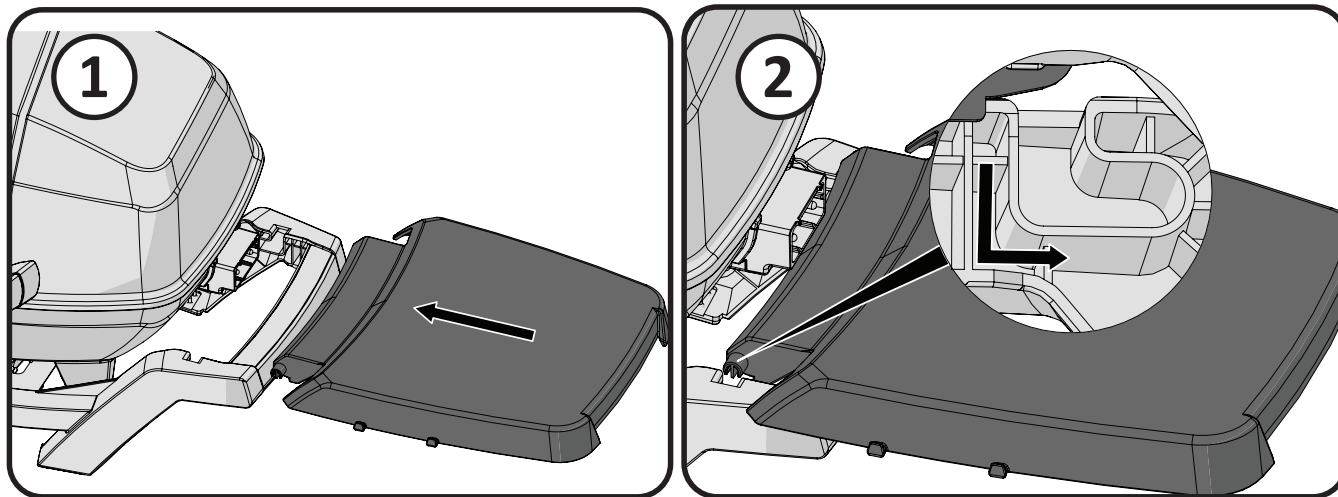
Tableau des cuissons

Aliments	Réglages de commandes	Temps de cuisson	Suggestions utiles
Steak Épaisseur 2,54 cm	Réglage haut, 2 minutes de chaque côté. Réglage haut, 2 minutes de chaque côté, puis réglage moyen. Réglage haut, 2 minutes de chaque côté, puis réglage moyen.	4 min. - Saignant 6 min. - À point 8 min. - Bien cuit	Lorsque vous choisissez la viande que vous allez cuire au barbecue, demandez à ce qu'elle soit persillée. La graisse agit comme un attendrisseur naturel pendant la cuisson et garde la viande moelleuse et juteuse.
Hamburger épaisseur 1,27 cm	Réglage haut, 2 minutes de chaque côté. Réglage haut, 2 minutes 1/2 de chaque côté Réglage haut, 3 minutes de chaque côté.	4 min. – Saignant 5 min. - À point 6 min. - Bien cuit	La préparation des hamburgers à la demande est facilitée en variant l'épaisseur de vos morceaux. Pour ajouter un goût exotique à votre viande, essayez d'ajouter des copeaux de bois aromatisés à ceux de fumage de Napoleon.
Morceaux de poulet	Réglage haut, 2 minutes de chaque côté. Puis réglage moyen-bas à bas.	20-25 min.	L'articulation qui relie la cuisse et la patte du côté sans peau doit être tranchée aux 3/4 pour que la viande repose à plat sur le barbecue. Cela permet de la cuire plus rapidement et plus uniformément. Pour ajouter un goût de marque à votre cuisine, essayez d'ajouter des copeaux de bois aromatisés à votre barbecue Napoleon, un accessoire optionnel.
Côtes de porc	À point	6 min. par côté	Ôtez l'excès de graisse avant de cuire. Choisissez des côtes plus épaisses pour des résultats plus tendres.
Travers de porc	Réglage haut, 5 minutes bas pour finir	20 min. par côté, retournez souvent	Choisissez des côtes maigres et consistantes. Faites cuire jusqu'à ce que la viande se détache facilement de l'os.
Côtelettes d'agneau	Réglage haut, 5 minutes moyen pour finir	15 min. par côté	Ôtez l'excès de graisse avant de cuire. Choisissez des côtelettes très épaisses pour obtenir des résultats plus tendres.
Hot dogs	Moyen - Bas	4-6 min.	Sélectionnez des saucisses de grande taille. Entaillez la peau dans le sens de la longueur avant de cuire.

Dépannage

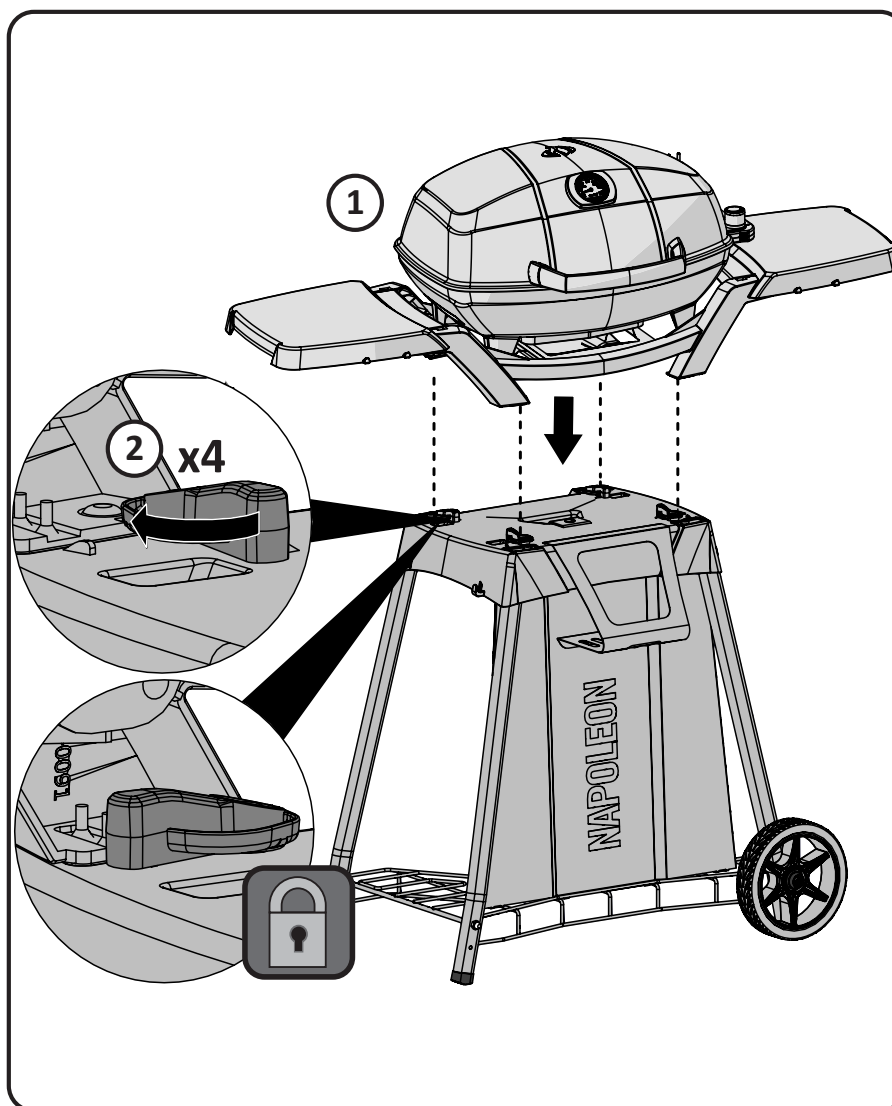
Problème	Causes probables	Solution
Pas de chaleur	Sonde de température éteinte. Pas de puissance.	Tournez la sonde de température à un réglage maximal. Assurez-vous que la sonde de température est bien installée dans la plaque de cuisson et bien branchée sur la prise. Essayez une autre prise. Vérifiez que le disjoncteur est enclenché. Réinitialisez. Tournez la sonde de température à un réglage maximal. Préchauffez le barbecue avec le couvercle fermé pendant 10 minutes.
	Sonde de température ou plaque de cuisson défectueuse.	Remplacez la sonde de température ou la plaque de cuisson.
Faible chaleur	Préchauffage incorrect.	Préchauffez pendant 10 minutes. Augmentez les réglages de la sonde.
	Accumulation excessive dans la base du barbecue.	Nettoyez la base afin de se débarrasser de l'accumulation de résidus.
Embrasements excessifs/chaleur inégale	Graisse excessive dans la viande. Température de cuisson excessive.	Ôtez la graisse de la viande avant de la passer au barbecue. Réglez la température au besoin.
	Accumulation de graisse.	Nettoyez le barbecue.
Le disjoncteur se déclenche ou le fusible saute.	Saute de tension	Tournez le régulateur sur la position OFF avant de brancher la prise électrique.
	Un autre appareil est branché sur le même circuit que le barbecue.	N'utilisez pas d'autres appareils électriques sur le même circuit.
	Humidité/eau dans la sonde de température ou les connexions électriques.	Gardez la sonde et les composants électriques au sec.

ÉTAGÈRE EN OPTION



FR

SOCLE EN OPTION



Nettoyage



FR

AVERTISSEMENT ! Portez toujours des gants de protection et des lunettes de sécurité lors de l'entretien de votre barbecue.

AVERTISSEMENT ! Pour éviter le risque de brûlures, l'entretien ne doit être effectué que lorsque le barbecue est froid. Évitez tout contact non protégé avec des surfaces chaudes. Assurez-vous que le barbecue est éteint. Nettoyez le barbecue dans un endroit adéquat, où les solutions de nettoyage ne peuvent pas endommager la terrasse, la pelouse ou la cour. N'utilisez en aucun cas des produits d'entretien pour les fours dans le cadre du nettoyage de ce barbecue. N'utilisez pas de four autonettoyant pour nettoyer les grilles de cuisson ou toute autre partie du barbecue. La sauce barbecue et le sel sont corrosifs et entraîneront une détérioration rapide des composants du barbecue, à moins que ces derniers ne soient nettoyés régulièrement.

Grilles de cuisson en fonte : Les grilles de cuisson en fonte fournies avec votre nouveau barbecue offrent une conservation et une distribution de la chaleur de haute qualité. En entretenant régulièrement vos grilles à l'aide d'un processus spécifique (nettoyage à l'eau, application de matière grasse et passage dans la chaleur du barbecue), vous ajoutez un revêtement protecteur qui les aidera à résister à la corrosion et augmentera leurs capacités antiadhésives.

Première utilisation : Lavez les grilles de cuisson à la main avec un produit vaisselle doux et de l'eau pour éliminer tout résidu du processus de fabrication (ne jamais laver dans un lave-vaisselle). Rincez abondamment avec de l'eau chaude et séchez avec un chiffon doux. Ceci est important pour éviter que l'humidité n'entre dans la fonte. Lorsqu'il sera allumé pour la première fois, le barbecue laissera échapper une légère odeur. Il s'agit d'un problème temporaire complètement normal, qui est causé par la combustion de peintures internes et de lubrifiants utilisés lors de la fabrication. Ce problème ne se reproduira plus. Pour y remédier, il suffit de faire fonctionner le régulateur de température sur le dessus tout en maintenant le couvercle ouvert pendant environ une heure.

Entretien : À l'aide d'un linge doux, appliquez une couche de SHORTENING VÉGÉTAL sur toute la surface de la grille en vous assurant de couvrir toutes les encoches et les coins. N'utilisez pas de corps gras salés comme du beurre ou de la margarine. Préchauffez votre gril pendant 15 minutes, puis placez les grilles de cuisson dans le gril. Tournez les boutons de commande à feu moyen puis fermez le couvercle. Laissez les grilles de cuisson chauffer environ une demi-heure. Éteindre le thermostat et laissez refroidir les grilles de cuisson. Cette procédure devrait être répétée plusieurs fois durant la saison, bien qu'elle ne soit pas requise à chaque utilisation du gril (suivez la procédure d'utilisation quotidienne ci-dessous).

Usage quotidien : Avant de préchauffer et de nettoyer avec une brosse à barbecue en laiton, recouvrez le dessus des grilles de cuisson de matière grasse végétale. Préchauffez le barbecue, puis brossez les résidus indésirables avec une brosse en laiton.

Nettoyage de l'intérieur du barbecue : Retirez la plaque de cuisson. Utilisez une brosse en laiton doux pour nettoyer les déchets à l'intérieur du couvercle. Éliminez tous les résidus qui se trouvent à l'intérieur du barbecue en les faisant passer dans le lèchefrite amovible. Assurez-vous que la plaque de cuisson est correctement placée lors de la réinstallation. Retirez le couvercle de base. N'utilisez pas de produits abrasifs pour nettoyer le couvercle de base en porcelaine. Pour retirer les taches tenaces, laissez d'abord tremper dans de l'eau savonneuse. Nettoyez ensuite avec un produit non abrasif, et séchez avec un chiffon propre.

Lèchefrite : Pour un nettoyage facile, retirez fréquemment (toutes les 4 à 5 utilisations) pour éviter l'accumulation de graisse. La graisse et les écoulements s'accumulent dans la lèchefrite, qui se trouve sous la grille de cuisson. Cette graisse accumulée peut provoquer un incendie. Ne tapissez pas la lèchefrite de papier d'aluminium, car cela peut empêcher que l'air circule normalement, ce qui nuit au bon fonctionnement du brûleur. La lèchefrite doit être gratté avec un couteau à mastic ou un grattoir.

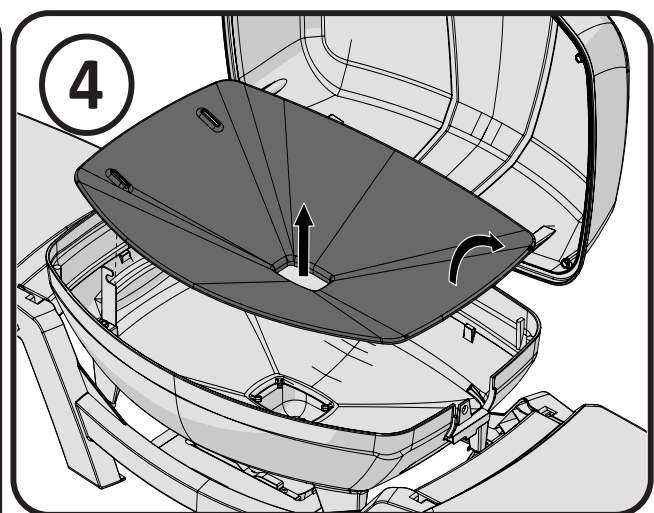
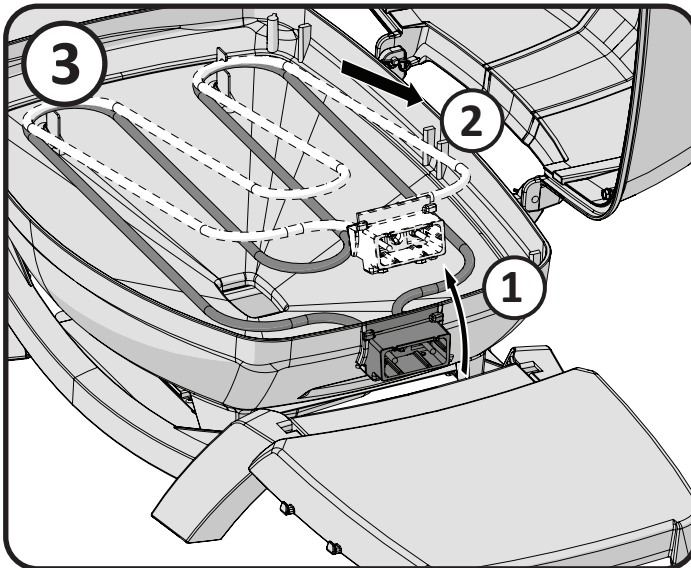
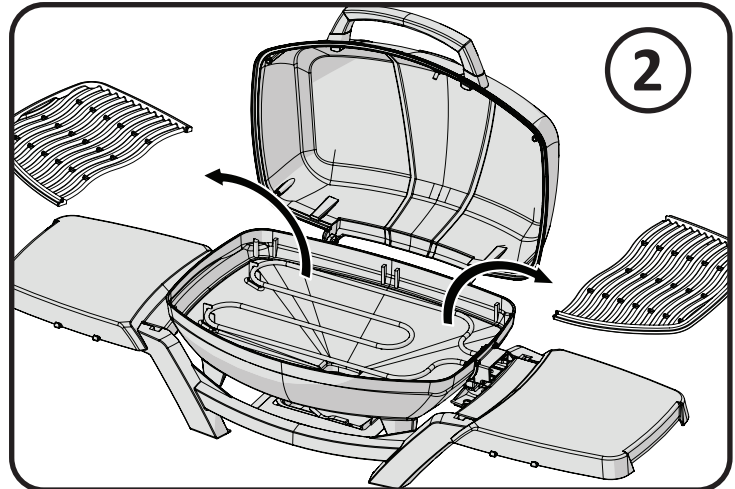
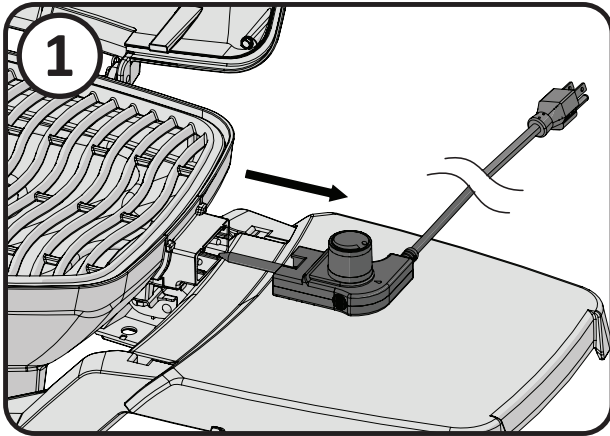
Nettoyage de l'extérieur du barbecue : N'utilisez pas de produits abrasifs pour nettoyer les pièces en acier inoxydable. Utilisez un produit spécialement conçu pour l'acier inoxydable ou un nettoyant non abrasif. Frottez toujours dans le sens du grain. N'utilisez pas de laine d'acier, car cela risque d'érafler la finition et de laisser de petites particules de métal ferreux qui peuvent favoriser la rouille. Les pièces en acier inoxydable se décolorent avec la chaleur : elles deviendront sûrement dorées ou brunes. Cette décoloration est normale, et n'affecte pas les performances du barbecue.

Étapes de nettoyage

Désassemblage:

1. Débrancher le câble d'alimentation and retirer le thermostat
2. Enlever les grilles de cuisson
3. Retirer l'élément chauffant
4. Enlever la base

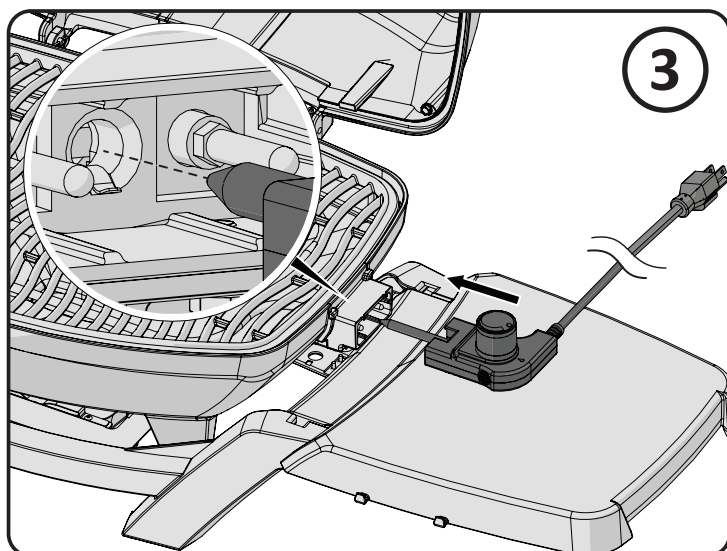
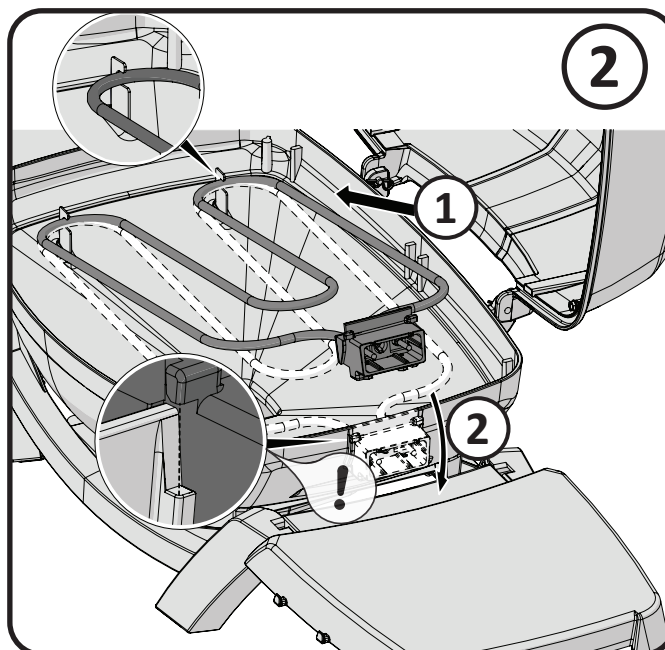
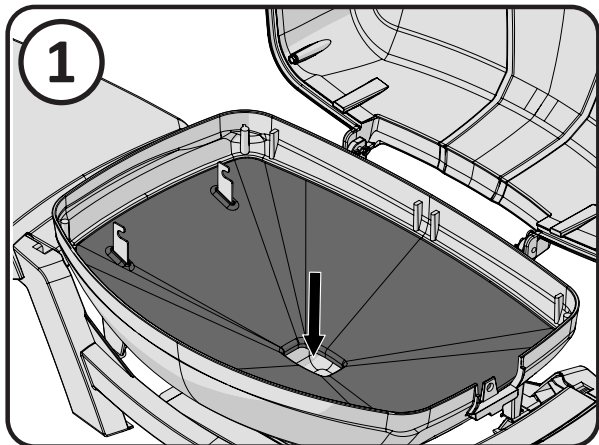
FR



Ré-assemblage

1. Réintroduire le base
2. Placer la partie incurvée de l'élément chauffant dans les clips prévus a cet effet
3. Remettre en place le thermostat et les grilles de cuisson

FR



ATTENTION! N'essayez pas d'insérer le thermostat dans l'élément, à moins que l'élément ne soit fixé à la base en fonte.

GARDEZ VOTRE REÇU COMME PREUVE D'ACHAT POUR VALIDER VOTRE

Commande de pièces de rechange

Information sur la garantie

MODÈLE : _____

DATE D'ACHAT : _____

NUMÉRO DE SÉRIE : _____

FR

(Inscrivez l'information ici pour y avoir accès facilement.)

Pour commander des pièces de rechange ou faire une réclamation sous garantie, communiquez avec le détaillant Napoléon où le produit a été acheté.

Avant de contacter le détaillant Napoléon, consultez le site Web des grils Napoléon pour obtenir plus de renseignements sur le nettoyage, l'entretien, le dépannage et les pièces à www.napoleon.com

Pour qu'une réclamation soit traitée, l'information suivante est nécessaire :

1. Modèle et numéro de série de l'appareil.
2. Numéro de la pièce et description.
3. Description concise du problème (« cassé » n'est pas suffisant).
4. Preuve d'achat (copie de la facture).

Dans certains cas, Napoléon peut vous demander de retourner la pièce à des fins d'inspection avant de fournir une pièce de rechange.

Avant de contacter le détaillant Napoléon, veuillez noter que la garantie ne couvre pas les éléments suivants :

- coûts de transport, de courtage et frais d'exportation;
- coûts de main-d'oeuvre pour l'enlèvement et l'installation de la pièce;
- coûts des appels de service pour diagnostiquer le problème;
- décoloration des pièces en acier inoxydable;
- casse des pièces causée par un manque d'entretien et de nettoyage, ou par l'utilisation de nettoyeurs inappropriés (nettoyant à fourneau ou autres produits chimiques agressifs).

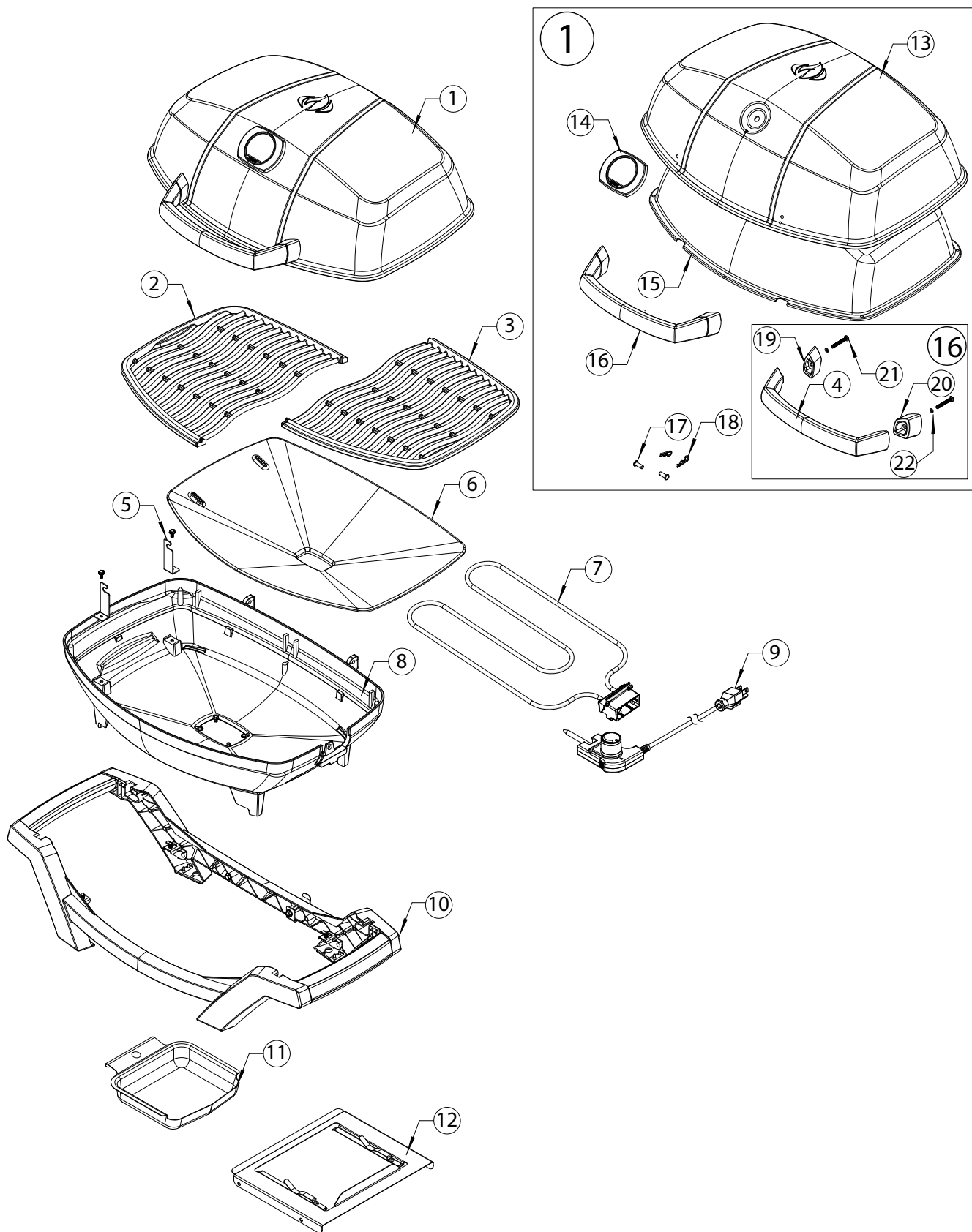
Liste des pièces

ITEM	PART NUMBER	DESCRIPTION	285
1	N010-1008-SER	ensemble du couvercle	x
2	Z305-0012-BK2FL	grille de cuisson gauche	x
3	Z305-0013-BK2FL	grille de cuisson droite	x
4	N325-0083-SER	poignée du couvercle	x
5	N370-0861-SER	support d'élément avant/ arrière	x
6	Z585-0015-BK2GL	lèchefrite	x
7	Z010-0049	élément	x
8	Z135-0003-BK1HT	coulée de cuve	x
9	Z690-0003	thermostat	x
10	N010-1009-SER	ensemble du berceau	x
	N075-0091	berceau de jambe avant/ arrière	x
	N075-0091-EQ	berceau de jambe avant EQ	x
11	N710-0079	tiroir d'égouttement	x
12	N010-0830	ensemble de plaque d'égouttement	x
13	N135-0048-BK1HG	coulée de couvercle	x
14	N685-0023	jauge de température	x
15	Z585-0014	couvercle pare-chaueur	x
16	N010-1010-SER	ensemble de poignée de couvercle	x
17	N485-0023	axe de chape 6MM X16MM	x
18	N485-0021	goupille fendue 2MM X 28MM	x
19	N655-0179	support de poignée de couvercle gauche	x
20	N655-0180	support de poignée de couvercle droite	x
21	N570-0107	vis 10-24 30 MM	x
22	Z735-0009	rondelle à ressort M5	x
	PRO285-STAND	chariot et tablettes en option	ac
	62006	bacs à graisse de remplacement	ac

x - standard ac - accessory



Schéma des pièces



FR

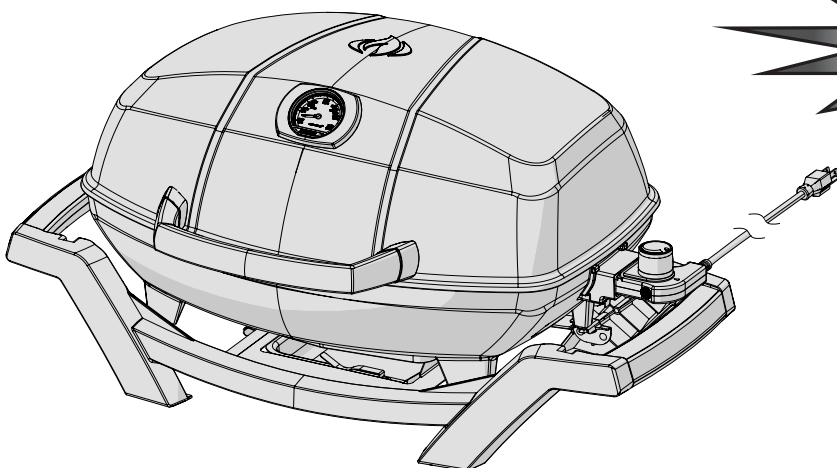
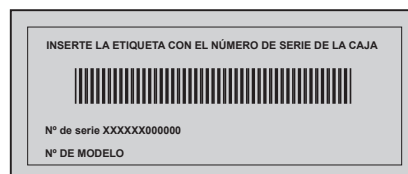




Notes

FR





PRO285E

ES



¡ADVERTENCIA! PELIGRO DE DESCARGA ELÉCTRICA

Este artefacto permite cargas de
220-240 V – 50/60 Hz
2200 W



¡ADVERTENCIA! Riesgo de incendio, explosiones o quemaduras si no se siguen las instrucciones de este manual, que podrían causar daños a la propiedad, lesiones o muerte. Leer y seguir todas las advertencias e instrucciones de este manual antes de utilizar la parrilla.



¡ADVERTENCIA!

- Para uso exterior doméstico únicamente.
- Al utilizar artefactos enchufados, para reducir el riesgo de incendio, descarga eléctrica, lesiones personales y daños, se deben seguir siempre las siguientes precauciones básicas de seguridad.
- Guardar este manual para referencia futura.

Wolf Steel Ltd.
214 Bayview Drive,
Barrie, Ontario, CANADA L4N 4Y8
grills@napoleon.com



Intertek

www.napoleon.com

Garantía limitada de 10 años de Napoleon President



Los productos Napoleon están diseñados con piezas y materiales de primera calidad y son ensamblados por expertos artesanos que se toman muy en serio su trabajo. Este producto ha sido rigurosamente inspeccionado por un técnico calificado antes de ser empaquetado y enviado a fin de asegurarle que usted, como cliente, reciba el producto de calidad que espera de NAPOLEON.

NAPOLEON garantiza que las piezas de su nuevo producto NAPOLEON no tienen defectos de material ni de fabricación y cuentan con una garantía por el periodo indicado a continuación, a partir la fecha de la compra:

Piezas fundidas de aluminio/base de acero inoxidable	10 años
Protector contra grasa esmaltado en porcelana	5 años de garantía total, más 50% de descuento hasta el 10° año
Rejillas de cocción de forja esmaltadas en porcelana	5 años de garantía total, más 50% de descuento hasta el 10° año
Elemento calefactor y termostato	2 años
Todas las demás piezas	2 años

Condiciones y restricciones

Esta Garantía Limitada cubre un periodo de garantía, según lo especificado en la tabla antes mencionada, para cualquier producto adquirido mediante un distribuidor autorizado de NAPOLEON y le da derecho al comprador original, en el marco de la cobertura indicada relativa a cualquier pieza reemplazada en el periodo de garantía, ya sea por NAPOLEON o un distribuidor autorizado del mismo, a reemplazar una pieza de dicho producto que ha presentado fallas en el uso privado normal como resultado de un defecto de fabricación. El "descuento del 50%" indicado en la tabla significa que la pieza está disponible para el comprador con un 50% de descuento con relación al precio minorista normal de la misma para el periodo indicado. Esta Garantía Limitada no contempla accesorios ni elementos extras.

Para mayor seguridad, el "uso privado normal" de un producto se refiere a que el producto ha sido instalado por un técnico o contratista autorizado, portador de una licencia, de conformidad con las instrucciones de instalación que vienen con el producto y según todas las normas locales y nacionales de construcción y contraincendios; ha recibido el mantenimiento adecuado y no ha sido usado como un servicio comunitario ni para fines comerciales.

De igual manera, "falla" no incluye sobrecalentamiento ni reventones causados por condiciones ambientales como vientos fuertes o ventilación inadecuada, rasguños, abolladuras, corrosión, deterioro de acabados pintados o recubiertos, decoloración causada por el calor, elementos de limpieza abrasivos o químicos o exposición ultravioleta, despostillado de piezas porcelanizadas o daños causados por el mal uso, accidente, granizo, incendios provocados por grasas, falta de mantenimiento, ambientes hostiles como la presencia de sal o cloro, alteraciones, abuso, negligencia o piezas instaladas de otros fabricantes.

Si ocurrieran deterioros de piezas que impidieran que el equipo funcione (completamente oxidadas o quemadas) dentro del plazo de la cobertura de la garantía, se le proporcionará un reemplazo.

La pieza de reemplazo es la única responsabilidad de Napoleon, según lo especificado en esta Garantía Limitada, y en ningún caso NAPOLEON será responsable de la instalación, mano de obra, ni cualquier otro costo o gasto relacionado con la reinstalación de una pieza comprendida en la garantía; ni de daños adicionales, resultantes o indirectos ni de los cargos de transporte, costos de obra ni impuestos de exportación.

Esta Garantía Limitada es proporcionada adicionalmente a cualquier derecho que le otorgue la legislación local. En consecuencia, la presente Garantía Limitada no impone la obligación a NAPOLEON de conservar piezas en stock. Sobre la base de la disponibilidad de piezas, NAPOLEON, según su criterio, se podrá eximir de su responsabilidad proporcionando al cliente un crédito proporcional para un nuevo producto. En el marco de la presente Garantía Limitada, NAPOLEON, después del primer año y según su criterio, se podrá eximir de todas las obligaciones relativas a esta garantía reembolsando al comprador original poseedor de la garantía el precio al por mayor de cualquier pieza o piezas comprendida(s) en la garantía pero defectuosa(s).

Se pedirá la factura de la compra o una copia de la misma, así como el número de serie y el número de modelo al momento de hacer cualquier reclamo de garantía a Napoleon.

NAPOLEON se reserva el derecho de enviar a un representante para inspeccionar cualquier producto o pieza antes de cumplir con cualquier reclamo de garantía. Usted deberá comunicarse con el Servicio al Cliente de NAPOLEON o con un distribuidor autorizado para obtener el beneficio de la cobertura de garantía.



www.napoleon.com



GUARDAR ESTE MANUAL PARA REFERENCIA FUTURA.

¡ADVERTENCIA! Riesgo de descarga eléctrica. Si se utiliza un alargue, este debe tener tres patas con toma a tierra. Su capacidad de carga indicada debe ser al menos igual a la capacidad de carga del artefacto. Los alargues adecuados para exteriores tienen una marca “W” en la superficie y una etiqueta que lee “Adecuado para artefactos de exteriores”. El cable debe estar dispuesto de forma tal que no cuelgue de una mesa a los efectos de evitar que los niños tiren de él o tropiecen con el cable de forma no intencional. La conexión al alargue debe mantenerse seca y no en el suelo. Nunca conecte dos o más alargues entre sí.

Importantes Salvaguardas

- Utilizar esta parrilla únicamente tal como se describe en este manual. Cualquier otro uso no recomendado en este manual puede ocasionar incendio, descarga eléctrica o lesiones.
- No utilice el aparato para otro uso que no sea el previsto.
- Esta parrilla está diseñada para uso exterior doméstico únicamente. No utilizar en interiores o para uso comercial.
- No alterar este producto o su uso de ninguna forma.
- No utilizar carbón u otros combustibles en esta parrilla. Esta parrilla no está diseñada para uso de carbón y dicho uso podría ocasionar un incendio. El incendio podría ocasionar una condición no segura y dañar la parrilla.
- No empotrar este modelo de parrilla en ninguna construcción para empotrado. Ignorar esta advertencia puede ocasionar un incendio o explosión que podría dañar los bienes o causar lesiones serias o muerte.
- El uso de accesorios no recomendados específicamente por Napoleon puede causar lesiones.
- No colocar sobre ni cerca de un quemador eléctrico o de gas caliente o en un horno caliente.

Precauciones eléctricas:

- Este artefacto se ajusta a las normas técnicas y los requerimientos de seguridad para dispositivos eléctricos.
- Asegúrese de que la toma eléctrica en uso tenga el voltaje correcto respecto a la corriente de entrada del artefacto. Los tomacorrientes también deben ser apropiados para equipos con un consumo de energía de 1500 vatios.
- Asegurarse de que no se encuentren enchufados otros artefactos de alta potencia en el mismo circuito al utilizar la parrilla.
- El artefacto solo debe estar conectado a un tomacorriente con conexión a tierra.
- La alimentación eléctrica debe ser abastecida por un dispositivo a corriente residual (DDR) que tiene una corriente de funcionamiento residual nominal que no sobrepasa 30 mA.
- No utilizar el artefacto si el receptáculo del enchufe se encuentra dañado.
- El cable de alimentación debe ser inspeccionado con frecuencia para reconocer signos de daños y el artefacto no se debe utilizar si el cable está dañado.
- No utilizar la parrilla con un regulador de temperatura con cable o enchufe dañado. Si el cable de alimentación está dañado, se debe cambiar por un conjunto especial de piezas disponible en Napoleon o en un distribuidor autorizado de Napoleon.
- Solo use el termostato especificado por Napoleón: Z690-0003 (DCT-002B).

Uso seguro:

- Siempre enchufar el regulador de temperatura en la parrilla antes de enchufar el cable de alimentación al tomacorriente. Al quitar el regulador de temperatura de la parrilla, primero desenchufarlo del tomacorriente.
- Tirar de la perilla del regulador podría llevar a su caída. Debe quitar el regulador de temperatura tomándolo de lado.
- Si se produce una llama, no utilizar agua para apagar el fuego. Apagar la parrilla llevándola a “OFF”. Desenchufar el cable de alimentación y esperar a que se enfríe la parrilla.
- Mantener el enchufe y el cable secos al utilizarlos. No utilizar la parrilla eléctrica bajo lluvia.
- Utilizar la parrilla solamente en superficies estables y niveladas.
- No tocar superficies calientes. Utilizar mangos o perillas.
- No dejar el cable colgando del borde de una mesa o en contacto con superficies calientes.
- La bandeja para grasa debe estar colocada en su sitio siempre que se utiliza la parrilla.
- No mover la parrilla cuando está en uso.
- No dejar la parrilla desatendida cuando está en uso.
- Mantener la parrilla fuera del alcance de niños, adultos mayores y mascotas cuando está en uso. Este artefacto no ha sido diseñado para la utilización de personas (incluyendo niños) con capacidades físicas, sensoriales o mentales disminuidas, o falta de experiencia y conocimiento, salvo que estén supervisados o hayan sido instruidos respecto al uso del artefacto por una persona responsable de su seguridad.
- No utilizar la parrilla cerca de materiales combustibles como madera, césped seco, matas, etc.
- No permitir que la parrilla esté en contacto con materiales inflamables como papel, paredes, cortinas, toallas, químicos, etc.
- No utilizar la parrillas en áreas muy transitadas. Ubicar el cable de alimentación fuera de las áreas transitadas.
- Para proteger la parrilla, utilizarla a más de 3 metros / 10 pies de cualquier piscina, estanque u otro depósito de agua.
- No utilizar como calentador.
- Dejar que el artefacto y los restos de grasa o de comida se enfríen antes de quitar o guardar.

Limpieza:

- Limpiar la bandeja colectora con frecuencia.
- Desenchufar la parrilla antes de limpiar. Antes de quitar o instalar piezas, dejar que estas se enfríen.
- No hundir las piezas eléctricas en agua al realizar la limpieza.
- Para protección de descarga eléctrica, no hundir el enchufe, cable o regulador de temperatura en agua o cualquier otro líquido. No rociar con agua la parrilla para limpiarla.

Almacenamiento:

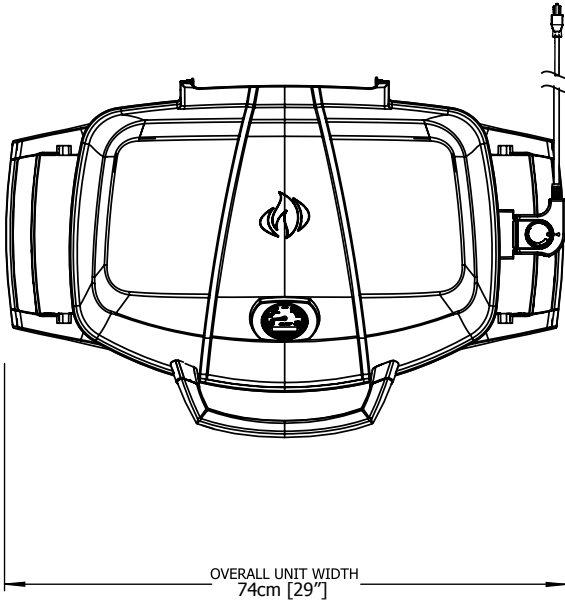
- Desenchufar la parrilla cuando no esté en uso y mantener el enchufe y cable secos.
- No dejar el regulador de temperatura en la posición de encendido “ON” durante periodos de inutilización.
- Guardar la parrilla dentro cuando no esté en uso – fuera del alcance de los niños.
 - Durante largos periodos de inutilización, quitar el regulador de temperatura de la parrilla.



GUARDAR ESTE MANUAL PARA REFERENCIA FUTURA.

DIMENSIONES

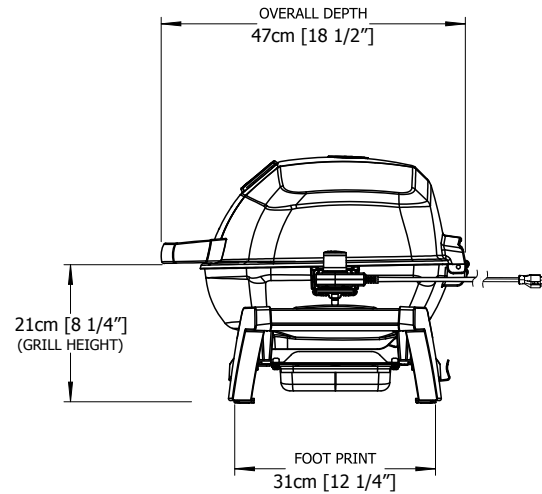
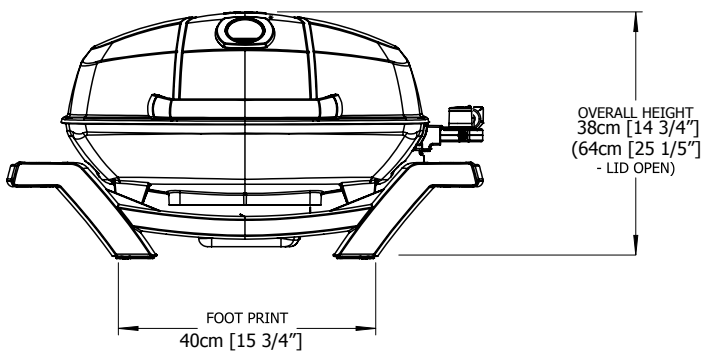
ES



PRO285E GRILL

GRILL SIZE: 37cm X 54cm (IRREGULAR) = 1840 cm² (14 1/2" X 21 1/4" (IRREGULAR) = 285 in²)

ALL DIMENSIONS ARE APPROXIMATE



¡PRECAUCIÓN! Le recomendamos que, para su protección, durante el desempaqueado y el montaje del dispositivo lleve guantes de protección y gafas de seguridad.

ADVERTENCIA: Este producto puede exponerle a químicos incluyendo di(2-ethylhexyl)phthalate, que son conocidos por el Estado de California como causantes de cáncer y defectos de nacimiento u otros daños reproductivos. Para mayor información, visite www.P65Warnings.ca.gov.

Instrucciones para cocinar



¡ADVERTENCIA! No utilice la barbacoa bajo toldos desplegados. Si no sigue estas indicaciones podría sufrir daños personales u ocurrir un incendio.



¡PELIGRO! No guarde la barbacoa o la traslade inmediatamente tras su uso. Deje que la barbacoa se enfríe completamente antes de moverla o guardarla. El no seguir estas pautas puede provocar un incendio, daños personales o incluso la muerte.

Al encender por primera vez la parrilla, esta emitirá un ligero olor. Esto es una condición temporal normal que ocurre cuando se quema la pintura y los lubricantes internos utilizados en el proceso de fabricación y no volverá a suceder. Simplemente se debe poner la sonda de temperatura en "high" ("alta") con la tapa abierta por aproximadamente ½ hora. Al cocinar carnes muy magras, como pechugas de pollo o carne magra de cerdo, las rejillas se pueden aceitar antes de precalentar la parrilla para evitar que se peguen. Cocinar carne con un alto contenido de grasa puede generar llamas. Para evitarlo se debe cortar parte de la grasa o disminuir la temperatura.

Tabla para cocinar en la parrilla

Precalentar en "HIGH" ("ALTA") por 15-20 minutos con la tapa cerrada, luego establecer la temperatura deseada. Esta es una guía para cocinar al aire libre con una temperatura de 22°C.

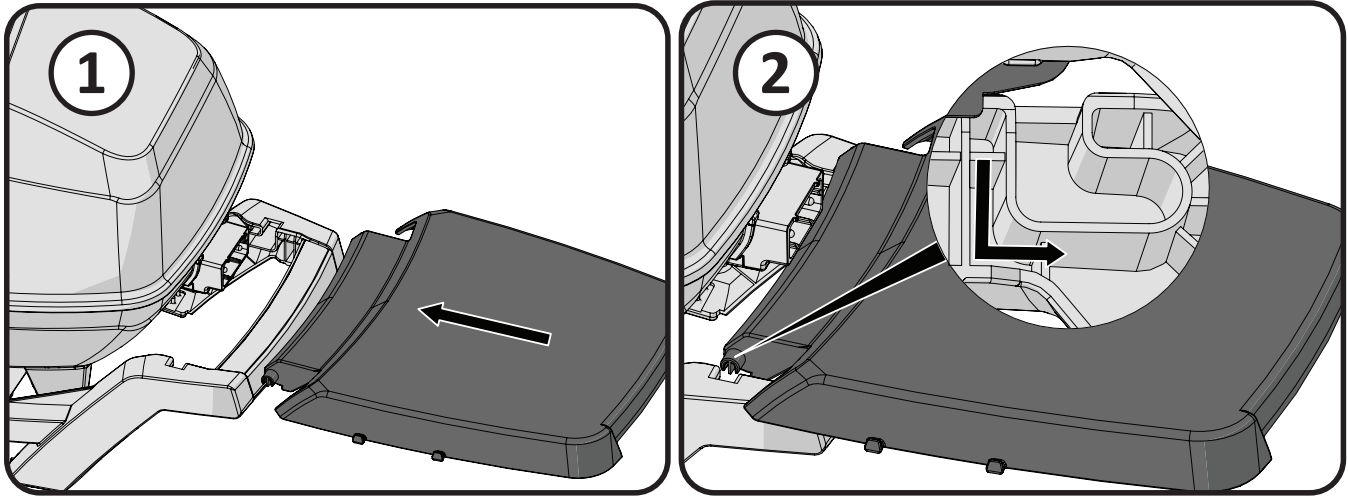
Para agregar un sabor único a su comida, pruebe el ahumador de viruta de madera *Napoleon* como un accesorio opcional con viruta de madera sabor mezquite o pacana.

Comida	Nivel	Tiempo de cocción	Sugerencias útiles
Filete Grosor de 2,54cm (1pulgada)	Alta temperatura, 2 min. cada lado	4 min. – Jugoso	Al seleccionar la carne para cocinar en la parrilla, solicitar carne con grasa distribuida a nivel intramuscular. La grasa actúa como un ablandador natural mientras se cocina la carne y la mantiene húmeda y jugosa.
	Alta temperatura, 2 min. cada lado luego temperatura Media	6 min. – A punto	
	Alta temperatura, 2 min. cada lado luego temperatura Media	8 min. – Cocido	
Hamburguesa Grosor de 1,27cm (1/2 pulgada)	Alta temperatura, 2 min. cada lado	4 min. – Jugoso	Preparar hamburguesas a pedido es más fácil al variar el grosor de las hamburguesas.
	Alta temperatura, 2 1/2 min. cada lado	5 min. – A punto	
	Alta temperatura, 3 min. cada lado	6 min. – Cocido	
Trozos de pollo	Alta temperatura, 2 min. cada lado luego temperatura Media-Baja a Baja	20-25 min.	La articulación que conecta el muslo y la pierna del lado sin piel debería cortarse a 3/4 del lado para que la carne se extienda plana en la parrilla. Esto ayuda a que se cocine más rápido y de forma homogénea.
Chuletas de cerdo	Media	6 min. cada lado	Cortar el exceso de grasa antes de cocinar en la parrilla. Elegir chuletas más gruesas para resultados más tiernos.
Costillas	Alta temperatura por 5 minutos Baja para terminar	20 min. cada lado. dar vuelta seguido	Elegir costillas magras y contundentes. Cocinar hasta que la carne se desprenda fácilmente del hueso.
Chuletas de cordero	Alta temperatura por 5 minutos Media para terminar	15 min. cada lado	Cortar el exceso de grasa antes de cocinar en la parrilla. Elegir chuletas más gruesas para resultados más tiernos.
Frankfurter	Media - Baja	4-6 min.	Seleccionar los frankfurters más largos. Cortar la piel a lo largo antes de cocinar en la parrilla.

Solución de problemas

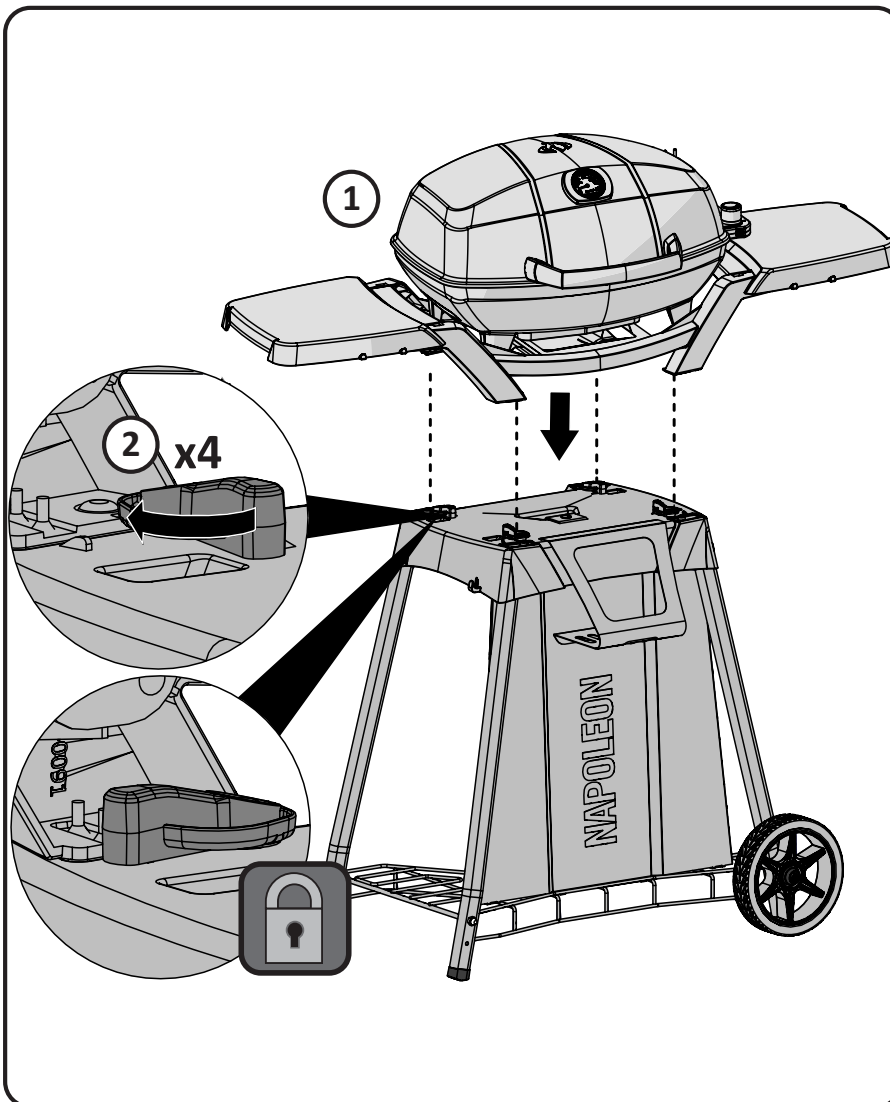
Problema	Causas posibles	Solución
No caliente	Sonda de temperatura apagada. No hay electricidad. Sonda de temperatura o bandeja de parrilla defectuosa.	Subir la sonda de temperatura al máximo nivel. Asegurarse de que la sonda de temperatura esté totalmente ajustada a la bandeja de la parrilla y bien enchufada al tomacorriente. Probar otro tomacorriente. Verificar que el disyuntor de circuito no haya saltado. Reiniciar. Subir la sonda de temperatura al máximo nivel. Precalentar la parrilla con la tapa cerrada por 15-20 minutos. Reemplazar la sonda de temperatura o la bandeja de la parrilla.
Caliente poco	Precalentamiento incorrecto Acumulación excesiva en la base de la parrilla.	Precalentar 15-20 minutos. Subir el nivel de la sonda. Limpiar el exceso de restos en la base.
Llamas excesivas / calor irregular	Exceso de grasa en la carne. Temperatura de cocción excesiva. Acumulación de grasa.	Cortar la grasa de la carne antes de colocar en la parrilla. Ajustar la temperatura según se necesite. Limpiar la parrilla.
Salta el disyuntor de circuito o se quema el fusible	Sobrecarga eléctrica Otro artefacto enchufado en el mismo circuito que la parrilla. Humedad o agua en la sonda de temperatura o en las conexiones eléctricas.	Colocar el regulador en la posición de Apagado antes de enchufarlo en la toma eléctrica. No utilizar otros artefactos eléctricos en el mismo circuito. Mantener la sonda y las piezas eléctricas secas.

ESTANTE OPCIONAL



ES

SOPORTE OPCIONAL



Instrucciones de limpieza



¡ADVERTENCIA! Siempre utilizar guantes protectores y gafas de seguridad al realizar el mantenimiento de su parrilla.

¡ADVERTENCIA! Para evitar posibles quemaduras, el mantenimiento debe realizarse únicamente cuando la parrilla esté fría. Evitar el contacto sin protección con las superficies calientes. Asegurarse de que la parrilla esté apagada. Limpiar la parrilla en un área donde los productos de limpieza no dañen decks, jardines o patios. No utilizar limpiador de horno para limpiar las piezas de esta parrilla. No utilizar hornos de limpieza automática para limpiar las rejillas de cocción o ninguna otra pieza de la parrilla. La salsa barbacoa y la sal pueden ser corrosivas y causarán un deterioro rápido de las piezas de la parrilla si no se limpian de forma regular.

Rejillas de cocción de hierro fundido: Las rejillas de cocción de hierro fundido entregadas junto a su nueva parrilla ofrecen una mejor retención y distribución de calor. Al curar las rejillas con frecuencias se le está agregando una capa protectora que ayudará a resistir la corrosión y su capacidad antiadherente.

Primer uso: Lavar a mano las rejillas de hierro fundido con un detergente de vajilla suave para quitar cualquier residuo del proceso de fabricación (nunca lavar en el lavavajilla). Enjuagar bien con agua caliente y secar por completo con un trapo suave. Esto es importante para evitar que la humedad penetre en el hierro fundido. Al encender por primera vez, la parrilla desprenderá un olor sutil.

Curación: Utilizando un trapo suave, cubrir con GRASA VEGETAL toda la superficie de la rejilla asegurándose de que todas las ranuras y esquinas estén cubiertas. No utilizar grasas saladas como la manteca y la margarina. Precalear su parrilla por 15 minutos, luego colocar las grillas de cocción curadas en la parrilla. Girar las perillas de control del quemador a temperatura media "medium" con la tapa cerrada. Dejar calentar las rejillas de cocción por aproximadamente una hora y media. Apagar el regulador llevándolo a "OFF" y dejar que las rejillas de cocción se enfríen. Este procedimiento debe repetirse varias veces, si bien no es necesario hacerlo en forma diaria (seguir el procedimiento para uso diario que sigue a continuación).

Uso diario: Antes de precalentar y limpiar con un cepillo de alambre para parrilla, cubrir la superficie total de las rejillas de cocción con grasa vegetal. Precalear la parrilla y luego cepillar cualquier residuo no deseado con un cepillo de alambre de bronce.

Limpieza interior de la Parrilla: Quitar las rejillas de cocción. Utilizar un cepillo de alambre suave para limpiar los restos sueltos del interior de la tapa. Cepillar todos los restos del interior de la parrilla hacia la bandeja colectora removible. Quitar la lámina de recubrimiento (atrapa la grasa de la bandeja colectora). No utilizar limpiadores abrasivos para limpiar la lámina de recubrimiento de porcelana. Para quitar las manchas más difíciles, remojar en agua y jabón para aflojar la suciedad. Limpiar con un limpiador no-abrasivo y secar con un trapo limpio. Asegurarse de volver a colocar la plancha de la parrilla correctamente.

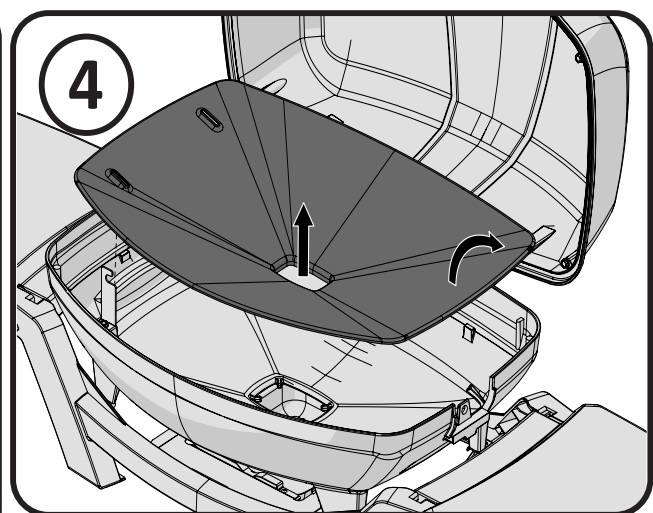
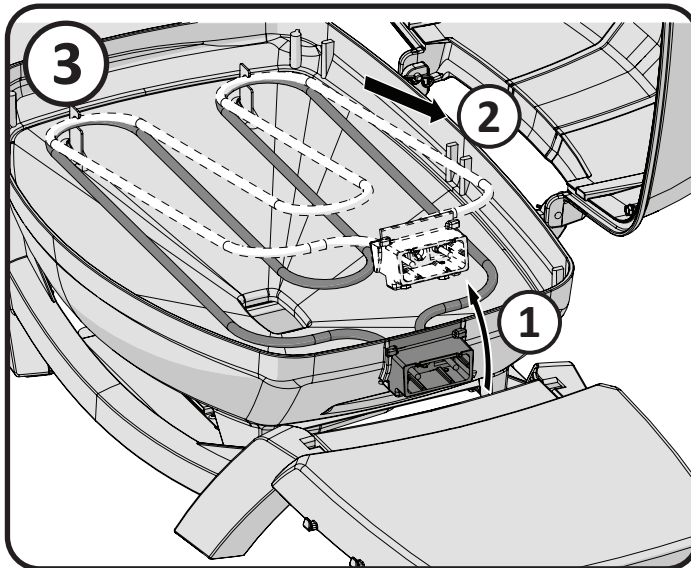
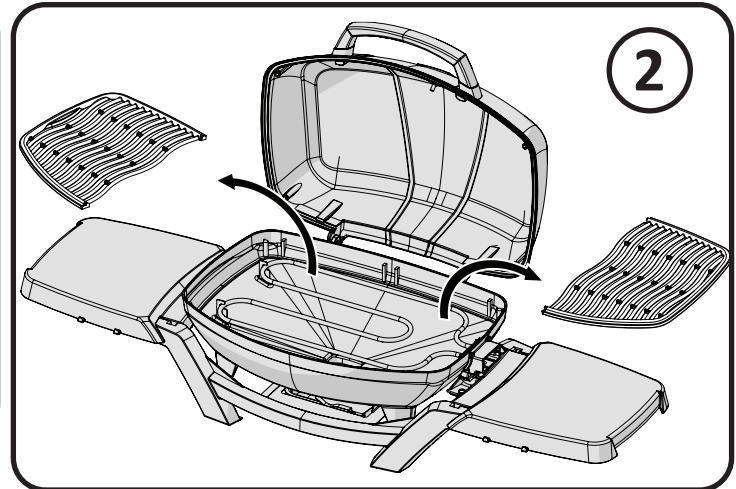
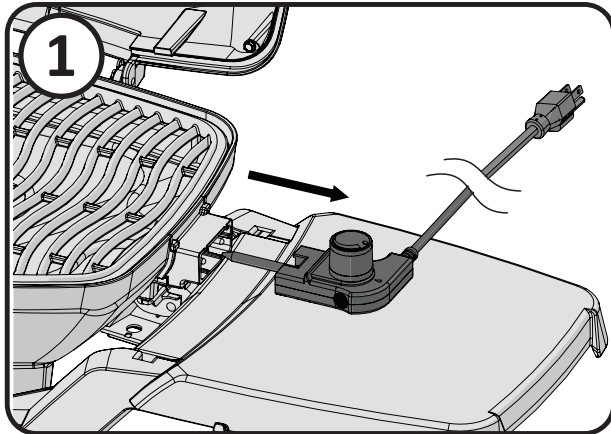
Bandeja colectora: Deslice la bandeja colectora hacia afuera para una fácil limpieza. Debe limpiarse con frecuencia (cada 4-5 usos) para evitar la acumulación de grasa. El exceso de grasa se acumula en la bandeja colectora ubicada debajo de la parrilla. La grasa acumulada puede producir riesgo de incendio. No recubrir la bandeja colectora con papel de aluminio ya que puede impedir la circulación de aire necesaria para el funcionamiento del quemador. Debe desprender la suciedad de la bandeja con una espátula o raspador.

Limpieza exterior de la Parrilla: No utilizar limpiadores abrasivos para limpiar las piezas pintadas. Para proteger el acabado de esmalte, utilizar un detergente suave con un trapo o cepillo suave para quitar cualquier residuo ácido. Secar con un trapo limpio.

Pasos de limpieza

Desarmado:

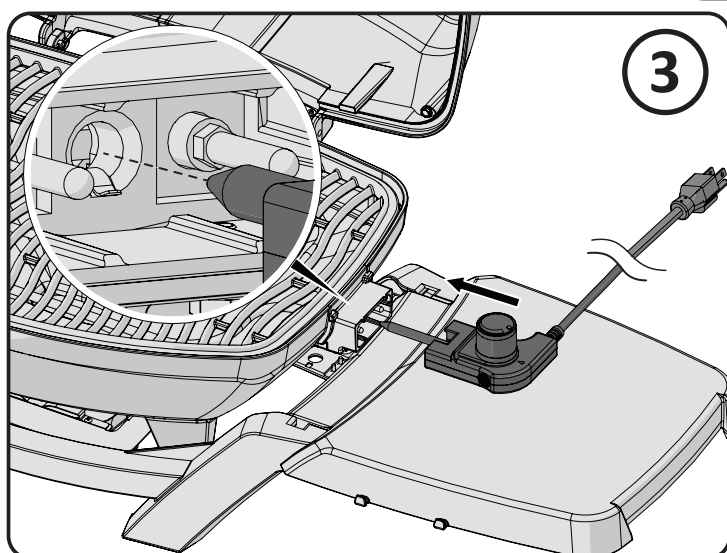
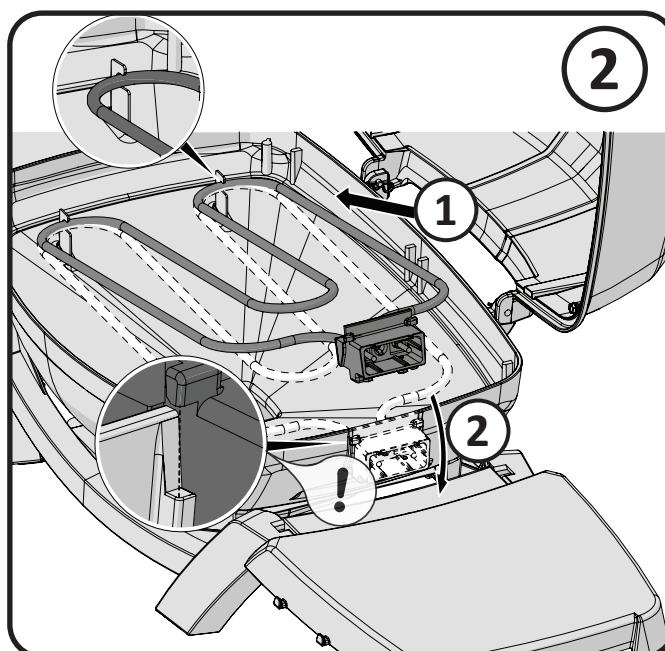
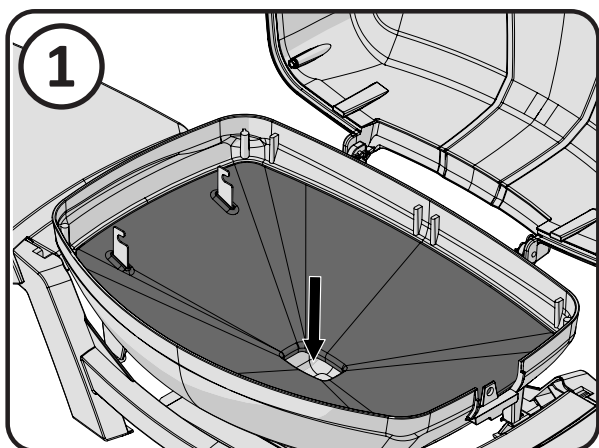
1. Desenchufar el cable de la pared y quitar el termostato.
2. Quitar las rejillas de cocción.
3. Apretar la abrazadera de resorte y quitar el elemento calefactor de la parrilla.
4. Quitar la lámina de recubrimiento.



ES

Armado:

1. Reinsertar la lámina de recubrimiento.
2. Volver a colocar los lados curvos del elemento calefactor en sus grapas de sujeción.
Colocar el elemento calefactor en su lugar.
3. Reinsertar el termostato y las rejillas de cocción.



¡PRECAUCIÓN! No intente insertar el termostato en la resistencia, a menos que la resistencia esté asegurada a la base moldeada.

CONSERVE SU FACTURA COMO PRUEBA DE COMPRA PARA VALIDAR SU GARANTÍA.

Solicitud para cambio de piezas

Información de la garantía

MODELO: _____

FECHA DE COMPRA: _____

NÚMERO DE SERIE: _____

(Registre la información aquí para poder recurrir a ella fácilmente cuando lo necesite)

Contacte a su distribuidor local directamente (consulte la lista de distribuidores adjunta a su asador) para solicitar un cambio de cualquier pieza o consultar garantías.

Antes de ponerse en contacto con el departamento de soluciones al cliente, consulte el sitio Web de Napoleon para obtener instrucciones más detalladas sobre limpieza, mantenimiento, solución de problemas y recambio de piezas: www.napoleon.com

Para procesar una reclamación, necesitamos que nos proporcione la siguiente información:

1. Modelo y número de serie de la unidad.
2. Número y descripción de la pieza.
3. Descripción precisa del problema ("roto" no es suficiente).
4. Prueba de compra (fotocopia de la factura).

En determinados casos, el representante de atención al cliente podrá solicitar que las piezas sean devueltas a la fábrica para su inspección antes de proporcionar las piezas de recambio.

Antes contactar a Aervicio al Cliente, tenga en cuenta que la garantía no cubre los siguientes costos:

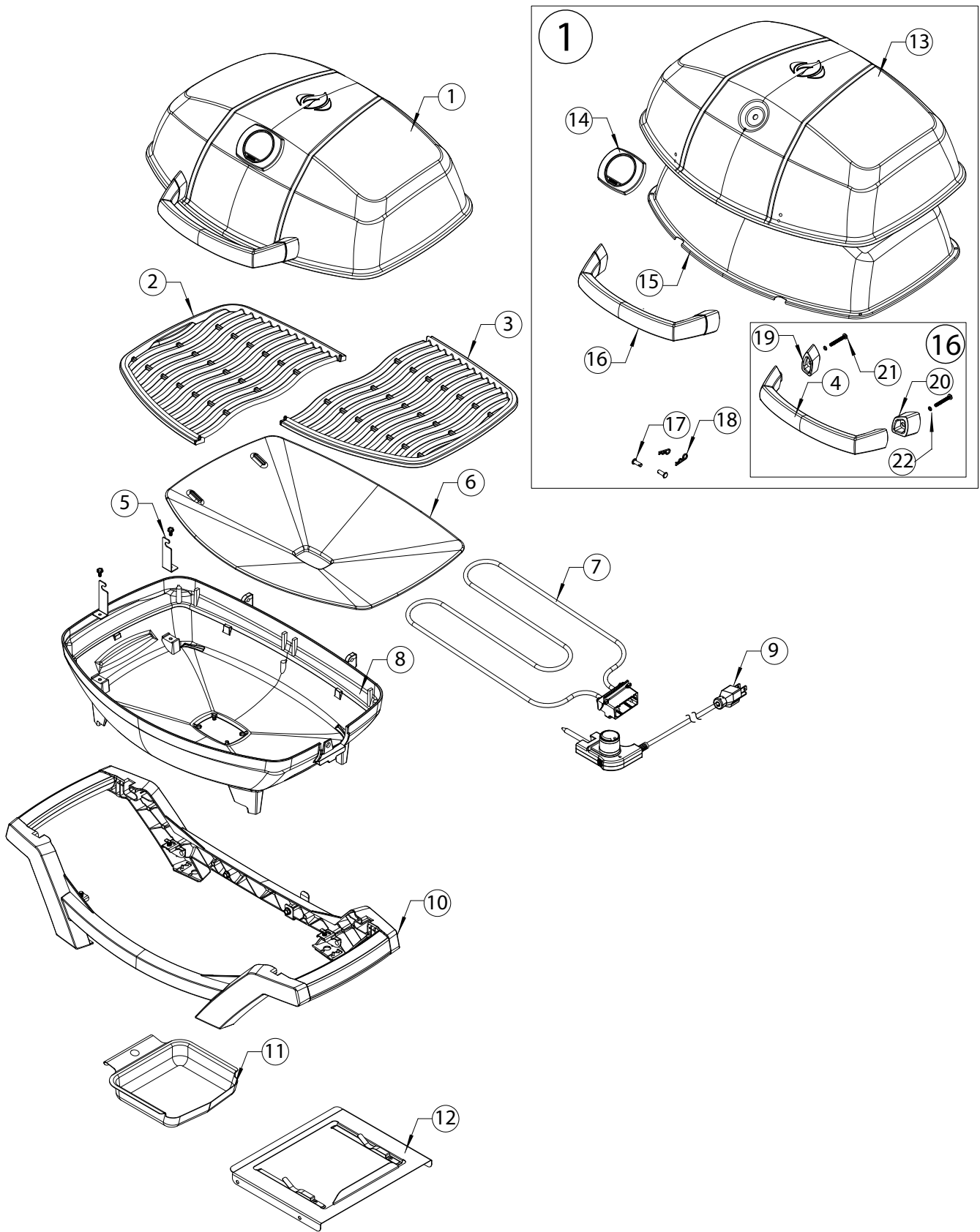
- Costos de transporte, rotura o impuestos de exportación.
- Costos de mano de obra para extracción y reinstalación.
- Costos de llamadas de servicio para diagnosticar problemas.
- Decoloración de las piezas de acero inoxidable.
- Fallo de las piezas por falta de limpieza y mantenimiento, o uso no adecuado de limpiadores (limpiador de hornos).

ES

Lista de piezas

ITEM	PART NUMBER	DESCRIPTION	285
1	N010-1008-SER	lid assembly	x
2	Z305-0012-BK2FL	cooking grids left	x
3	Z305-0013-BK2FL	cooking grids right	x
4	N325-0083-SER	lid handle	x
5	N370-0861-SER	element bracket front/ rear	x
6	Z585-0015-BK2GL	base liner	x
7	Z010-0049	element	x
8	Z135-0003-BK1HT	base casting	x
9	Z690-0003	thermostat	x
10	N010-1009-SER	cradle assembly	x
	N075-0091	leg cradle front/ back	x
	N075-0091-EQ	leg cradle front EQ	x
11	N710-0079	drip pan	x
12	N010-0830	drip pan plate assembly	x
13	N135-0048-BK1HG	lid casting	x
14	N685-0023	temperature guage	x
15	Z585-0014	lid heat shield	x
16	N010-1010-SER	lid handle assembly	x
17	N485-0023	clevis pin 6MM X16MM	x
18	N485-0021	hairpin cotter pin 2MM X 28MM	x
19	N655-0179	lid handle support left	x
20	N655-0180	lid handle support right	x
21	N570-0107	pan head screw 10-24 30 MM	x
22	Z735-0009	lock washer M5	x
	PRO285-STAND	optional cart and shelves	ac
	62006	replacement grease trays (5)	ac

x - standard ac - accessory



ES



Notes

ES





Notes

ES



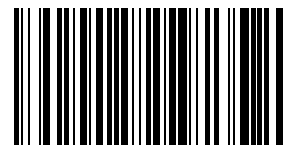


Napoleon products are protected by one or more U.S. and Canadian and/or foreign patents or patents pending.

Les produits de Napoleon sont protégés par un ou plusieurs brevets américains, canadiens et (ou) étrangers au par des brevets en instance.

Los productos Napoleon están protegidos por una o más patentes o patentes pendientes en E.U., Canadá y/o otros países.

www.napoleon.com



N415-0478

