



## TRUE RESIDENTIAL®

TR-24\*/ TR-30 / TR-36  
INSTALL GUIDE AND USER'S MANUAL  
\*“A” & “C” REVISION



PRESERVE THE MOMENT®



212530-M

# THANK YOU

## FOR YOUR PURCHASE

**NOTE: AS WE STRIVE FOR CONTINUOUS IMPROVEMENTS, FEATURES AND SPECIFICATIONS ARE SUBJECT TO CHANGE WITHOUT NOTICE.**

### INSTALLATION CHECKLIST

To ensure no part of the installation process has been overlooked, complete the checklist below.

- Have all packaging materials been removed?
- Are the anti-tip brackets securely installed and properly engaging the unit?  
**NOTE: REQUIRED FOR SAFETY, CORRECT OPERATION, AND PROPER AIRFLOW.**
- Has the unit been properly leveled? Do all leveling legs touch the floor?
- Has the kickplate installed?
- Has the doorstop installed (if needed)?  
**TRUE OFFERS A 90° DOOR STOP OPTION. IF A 90° DOOR STOP IS REQUIRED, PLEASE CONTACT YOUR DEALER OR TRUE CUSTOMER SERVICE AT 888-616-8783.**
- Does the customer understand the unit's operation?
- Has the customer been given the key and literature package?
- Have all stainless steel surfaces been inspected for imperfections?\*
- Is the unit operating correctly? If not, is the unit plugged in? Is the control turned on?

\*To be completed by either an installer with the customer or an authorized True dealer upon completion of installation. Stainless steel doors, handles, and shelves are covered by a limited 30-day warranty for cosmetic defects.

## TRUE'S TECHNICAL SUPPORT YOUTUBE CHANNEL

For more in-depth installation and service information, see our Technical Support YouTube Channel at <https://www.youtube.com/@TrueManufacturingService>



# CONTENTS

## SAFETY INFORMATION & OWNERSHIP

---

REFRIGERANT SAFETY & WARNING INFORMATION	10
BASIC SAFETY & WARNING PRECAUTIONS	10
APPLIANCE DISPOSAL WARNING	11
OWNERSHIP	12
NOTICE TO CUSTOMER	12
REGISTER YOUR PRODUCT	12
SERIAL LABEL LOCATION	12
APPLIANCE LOCATION	12
CONTACT INFORMATION	12

## PRIOR TO INSTALLATION

---

ANTI-SWEAT FOAM END PANELS	14
ROUGH OPENINGS	14
PLAN VIEWS	16
ELECTRICAL SAFETY	19
POWER CORD	20
OPTIONAL ICEMAKER REQUIREMENTS (TR-FRZ-IM)	21
WATER FILTER INSTALLATION & PERFORMANCE DATA	22
WINE RACK HANDLE FINISH APPLICATION (TR-DZW)	25

## INSTALLATION

---

UNCRATING	28
ANTI-TIP BRACKET INSTALLATION (REQUIRED)	32
LEVELING	34
KICKPLATE INSTALLATION	35
JOINING KIT INSTALLATION	36
<b>APPLIANCE SETUP</b>	
SHELF ADJUSTMENT	42
REFRIGERATOR STORAGE	44
FREEZER STORAGE	46
OPTIONAL ICEMAKER	47

## CONTENTS

### REFRIGERATOR/FREEZER ELECTRONIC CONTROL OPERATION

---

TURN ON/OFF	50
TEMPERATURE ADJUSTMENT	51
MODE NAVIGATION	52
SHOWROOM MODE	53
ACCENT LIGHTING SYSTEM	54
ALARM NAVIGATION	55
NOTIFICATION ALERTS	56
ICE MENU NAVIGATION	57
ICE TROUBLESHOOTING	58

### DUAL ZONE OPERATION

---

TURN ON/OFF	60
TEMPERATURE ADJUSTMENT	61
MODE NAVIGATION	62
SHOWROOM MODE	63
ACCENT LIGHTING SYSTEM	64
CHANGE TRULUMINA® LIGHT COLOR	64
ALARM NAVIGATION	65
NOTIFICATION ALERTS	66

### MAINTENANCE & SERVICING

---

INTERIOR ACCESSORIES	68
DOOR REMOVAL	68
CONDENSER COIL CLEANING	69
CONDENSATION	69
HANDLE TIGHTENING	69
WATER FILTER REPLACEMENT (OPTIONAL ICEMAKER ONLY)	70
APPLIANCE CARE & CLEANING	72
COMPONENT REPLACEMENT	74
SERIAL LABEL LOCATION	74
CONTACT INFORMATION	74

### WARRANTY STATEMENT

---

WARRANTY	75
----------	----

REFRIGERATOR, FREEZER & DUAL ZONE COLUMN

24"  
REFRIGERATOR  
BEVERAGE  
COLUMN

STAINLESS GLASS DOOR



24"  
REFRIGERATOR  
COLUMN

STAINLESS SOLID DOOR



24"  
REFRIGERATOR  
COLUMN

STAINLESS GLASS DOOR



24"  
FREEZER  
COLUMN

STAINLESS SOLID DOOR



24"  
DUAL ZONE  
WINE COLUMN

STAINLESS GLASS DOOR



x105

LUXURY REFRIGERATION WITH COMMERCIAL DNA.

## REFRIGERATOR, FREEZER & DUAL ZONE COLUMN

30"  
REFRIGERATOR  
BEVERAGE  
COLUMN

STAINLESS GLASS DOOR



30"  
REFRIGERATOR  
COLUMN

STAINLESS SOLID DOOR



30"  
REFRIGERATOR  
COLUMN

STAINLESS GLASS DOOR



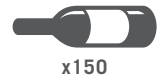
30"  
FREEZER  
COLUMN

STAINLESS SOLID DOOR



30"  
DUAL ZONE  
WINE COLUMN

STAINLESS GLASS DOOR



x150

## LUXURY REFRIGERATION WITH COMMERCIAL DNA.

36"  
REFRIGERATOR  
COLUMN

STAINLESS SOLID DOOR



36"  
REFRIGERATOR  
COLUMN

STAINLESS GLASS DOOR



36"  
FREEZER  
COLUMN

STAINLESS SOLID DOOR





REFRIGERANT SAFETY & WARNING INFORMATION

BASIC SAFETY & WARNING PRECAUTIONS

APPLIANCE DISPOSAL WARNING

OWNERSHIP

NOTICE TO CUSTOMER

REGISTER YOUR PRODUCT

SERIAL LABEL LOCATION

APPLIANCE LOCATION

CONTACT INFORMATION



PRESERVE THE MOMENT®



**WARNING!** Use this appliance for its intended purpose as described in this Installation Manual.

This appliance is to be installed in accordance with local and federal regulations, as well as Safety Standard for Refrigeration Systems ANSI/ASHRAE 15.

## REFRIGERANT SAFETY & WARNING INFORMATION

See the serial label inside the appliance for the units refrigeration type. For Hydrocarbon Refrigeration (R-600a only), see below:



**DANGER!** Risk of fire or explosion. Flammable refrigerant used.

- **DO NOT** use mechanical devices to accelerate the defrost process or to clean.
- **DO NOT** puncture, pierce, or burn refrigerant tubing.
- Be aware that refrigerants may not contain an odor.
- Store the appliance in a room without continuously operating ignition sources.
- Follow handling instructions carefully.
- To be repaired only by trained service personnel.
- Consult repair manual/owner's guide before attempting to service this product. All safety precautions must be followed.
- Dispose of properly in accordance with local and federal regulations. Follow all safety precautions.



**CAUTION!** Keep all ventilation openings clear of obstruction in the appliance enclosure or in the structure housing the appliance.

## BASIC SAFETY & WARNING PRECAUTIONS

- Take care during operation, maintenance or repairs to avoid cuts or pinching from any part/component of the appliance.
- Units may pose a tipping hazard while uncrating, during installation, or when moving the unit.
- Ensure the unit is properly installed and located in accordance with the Installation Instructions before use.
- This appliance is not to be used, cleaned or maintained by persons (including children) with reduced physical, sensory or mental capabilities or lack of experience and knowledge, unless they have been given supervision or instruction.
- **DO NOT** allow children to play with the appliance or climb, stand, or hang on the unit's shelves to prevent damage to the refrigerator and personal injury.
- **DO NOT** touch the cold surfaces in the freezer compartment when hands are damp or wet. Skin may stick to these extremely cold surfaces.
- Unplug the refrigerator before cleaning and making repairs.
- Setting temperature controls to the 0 position or powering off an electronic control may not remove power from all components (e.g., light circuits, perimeter heaters, and evaporator fans).
- **DO NOT** store or use gasoline, or other flammable vapors and liquids, in the vicinity of this or any other appliance.

- **DO NOT** store explosive substances such as aerosol cans with a flammable propellant in this appliance.
- Keep fingers out of the "pinch point" areas; clearances between the doors and appliance are necessarily small; be careful closing doors when children are in the area.
- **DO NOT** use electrical appliances inside the food storage compartments of the units unless the appliances are of the type recommended by the manufacturer.

**NOTE: ALL SERVICING MUST BE PERFORMED BY A QUALIFIED TECHNICIAN.**

## APPLIANCE DISPOSAL WARNING



### DANGER! RISK OF CHILD ENTRAPMENT



Child entrapment and suffocation are not problems of the past. Junked or abandoned appliances are still dangerous, even if they will sit for "just a few days." If you are getting rid of your old appliance, please follow the instructions below to help prevent accidents.

#### Before throwing away your old appliance:

- Take off the doors.
- Leave the shelves in place so that children may not easily climb inside.



#### **DANGER!** Risk of fire or explosion.

Flammable insulation and/or refrigerant used. Dispose of all in accordance with local and federal regulations. Follow all safety precautions.

## OWNERSHIP

To ensure that your unit works properly from the first day, it must be installed properly. We highly recommend a trained refrigeration mechanic and electrician install your True equipment. The cost of a professional installation is money well spent.

Before you start to install your TRUE unit, carefully inspect it for freight damage. **IF DAMAGE IS DISCOVERED, DO NOT INSTALL THE UNIT OR PUT IT IN SERVICE.** Notify True customer service, and immediately file a claim with the delivery freight carrier.

TRUE is not responsible for damage incurred during shipment.

For any questions about installation, please contact your True dealer or True Residential Technical Support at **844-746-9423** or **TrueResidentialService@TrueMfg.com**. Please have your model and serial number available.

## NOTICE TO CUSTOMER

Loss or spoilage of products in your refrigerator/freezer is **not covered by warranty**. In addition to following recommended installation procedures, run the refrigerator/freezer for 24 hours prior to usage to verify its proper operation.

## REGISTER YOUR PRODUCT

To qualify for TRUE's extended 7–12 year parts only sealed system warranty, you must register your product\* within 12 months of the unit's installation date. To register your unit, complete and submit the form at <https://true-residential.com/product-registration>.

For warranty details, please see pg. 75.



\* Please note that ice machines do not qualify for this extended warranty.

## SERIAL LABEL LOCATION

The serial label is located on the left wall near the freezer wire basket or the refrigerator upper drawer. See fig. 1.

This label contains important information such as your model name and serial number. Please have this information on hand when contacting True so we can better assist you with your service- or parts-related inquiries.



FIG. 1. Serial label location.

## APPLIANCE LOCATION

- This appliance has been tested for UL CSA to ISO Climate Class 5 [104°F (40°C) temperature, 40% relative humidity].
- Appliance is not suitable for outdoor use.
- Higher ambient conditions may reduce the appliance's performance.

## CONTACT INFORMATION

### CUSTOMER SERVICE

Phone: 888-616-8783  
info@true-residential.com

### WARRANTY DEPARTMENT

Phone: 844-849-6179  
TrueResidentialWarranty@truemfg.com

### TECHNICAL SUPPORT DEPARTMENT

Phone: 844-746-9423  
TrueResidentialService@truemfg.com

ROUGH OPENING & PLAN VIEWS

ANTI-SWEAT FOAM END PANELS

ELECTRICAL SAFETY

POWER CORD

OPTIONAL ICEMAKER REQUIREMENTS (TR-FRZ-IM)

WATER FILTER INSTALLATION & PERFORMANCE DATA

WINE RACK HANDLE FINISH APPLICATION (TR-DZW)



PRESERVE THE MOMENT®

## ANTI-SWEAT FOAM END PANELS

When installing two or more True units side-by-side, be sure to install foam pads between the appliances (on each appliance) to prevent moisture from developing on applications.

True recommends applying a panel to each of the units being joined together. To order foam pads, contact our parts department at **844-849-6226** or **TrueResidentialParts@TrueMfg.com**.

## ROUGH OPENING



**USER ACTION:** Due to the weight of this unit, True recommends consulting a flooring expert prior to installation. The flooring beneath the unit should be rated to support  $\geq 150 \text{ lb/ft}^2$  ( $732.36 \text{ kg/m}^2$ ).

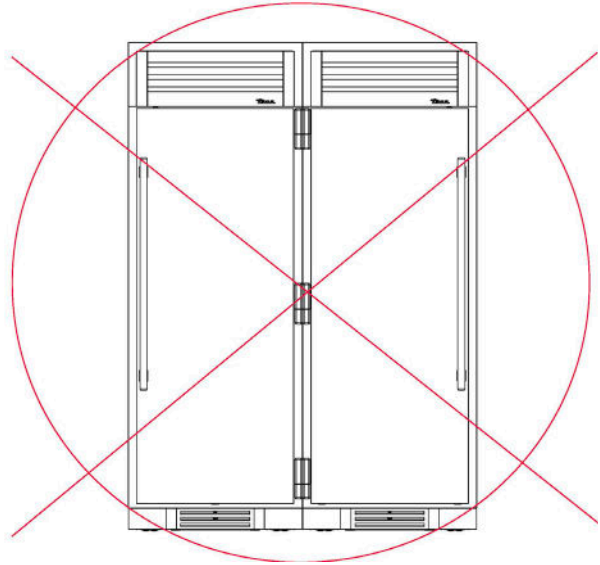


**NOTE:** It is not recommended to install units side by side with hinges touching each other. If you plan to install units hinge-to-hinge:

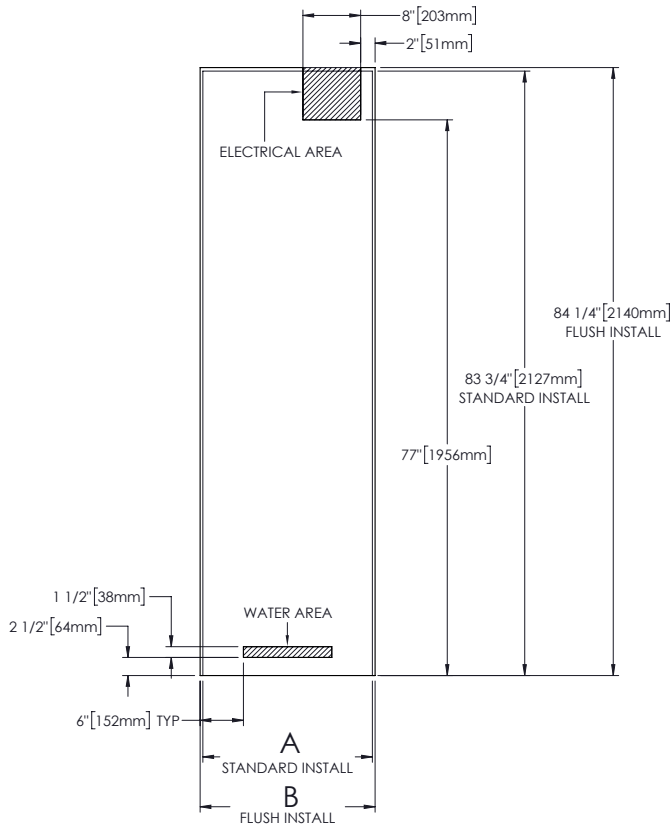
- You must have a minimum 1" (25.4 mm) gap between the appliances being joined hinge-to-hinge.
- Joining kits are not available for these applications.



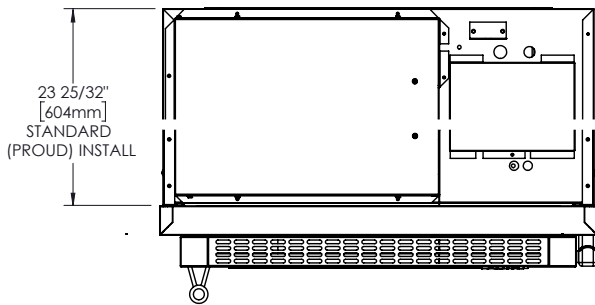
**NOTE:** If joining or installing an RBF next to another full size appliance, **the full size appliance's door must be special-ordered** for the door handles to align.



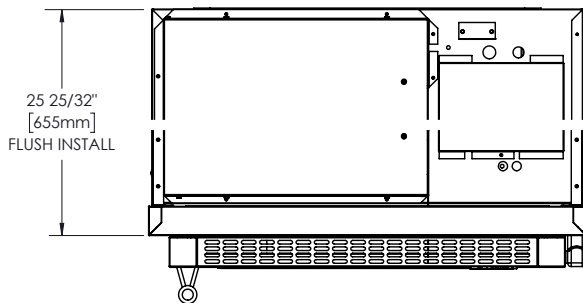
ROUGH OPENING (CONT.)



**Standard (Proud) Installation:** The front face of the unit extends beyond the surrounding cabinets.



**Flush Installation:** The front face of the unit is flush with the surrounding cabinets.



Rough Opening Dimensions—Standard (Proud)

Model	Width (A)	Height	Depth
TR-24	23-1/2" (597 mm)	83-3/4" (2127 mm)	24" (609.1 mm)
TR-30	29-1/2" (749.3 mm)	83-3/4" (2127 mm)	24" (609.1 mm)
TR-36	35-1/2" (901.7 mm)	83-3/4" (2127 mm)	24" (609.1 mm)

Dimensions may vary by ± 1/8" (3.2 mm)

Rough Opening Dimensions—Flush

Model	Width (B)	Height	Depth
TR-24	24-1/4" (616 mm)	84-1/4" (2140 mm)	26" (660.4 mm)
TR-30	30-1/4" (768.4 mm)	84-1/4" (2140 mm)	26" (660.4 mm)
TR-36	36-1/4" (920.8 mm)	84-1/4" (2140 mm)	26" (660.4 mm)

Dimensions may vary by ± 1/8" (3.2 mm)

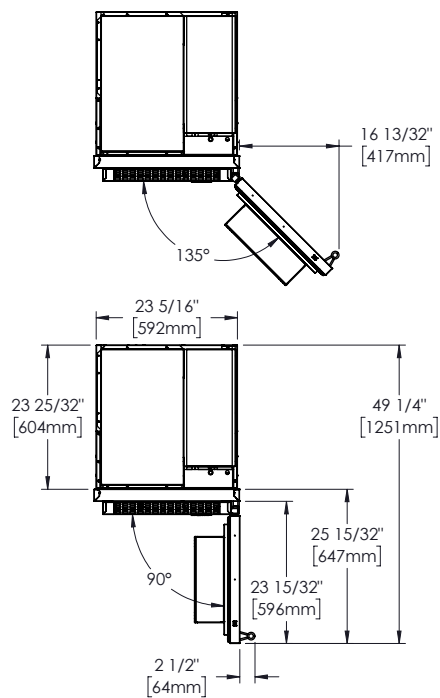
Rough Opening Dimensions—Combinations

Combo Size	Standard (A)	Flush (B)
48"	47-1/2" (1206.5 mm)	48-1/4" (1225.6 mm)
54"	53-1/2" (1358.9 mm)	54-1/4" (1378 mm)
60"	59-1/2" (1511.3 mm)	60-1/4" (1530.4 mm)
66"	65-1/2" (1663.7 mm)	66-1/4" (1682.8 mm)
72"	71-1/2" (1816.1 mm)	72-1/4" (1835.2 mm)
78"	77-1/2" (1968.5 mm)	78-1/4" (1987.6 mm)
84"	83-1/2" (2120.9 mm)	84-1/4" (2140 mm)
90"	89-1/2" (2273.3 mm)	90-1/4" (2292.4 mm)
96"	95-1/2" (2425.7 mm)	96-1/4" (2444.8 mm)
102"	101-1/2" (2578.1 mm)	102-1/4" (2597.2 mm)
108"	107-1/2" (2730.5 mm)	108-1/4" (2749.6 mm)
114"	113-1/2" (2882.9 mm)	114-1/4" (2902 mm)
120"	119-1/2" (3035.3 mm)	120-1/4" (3054.4 mm)

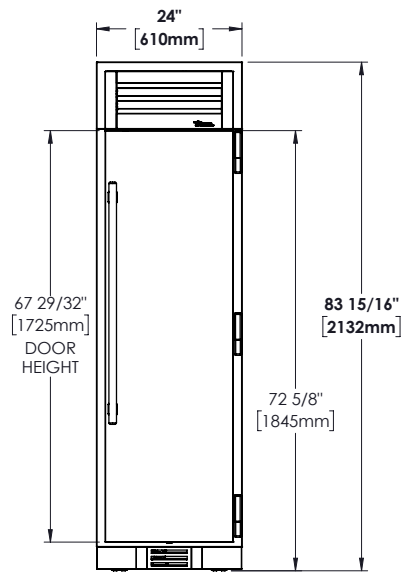
Dimensions may vary by ± 1/8" (3.2 mm)

PLAN VIEWS

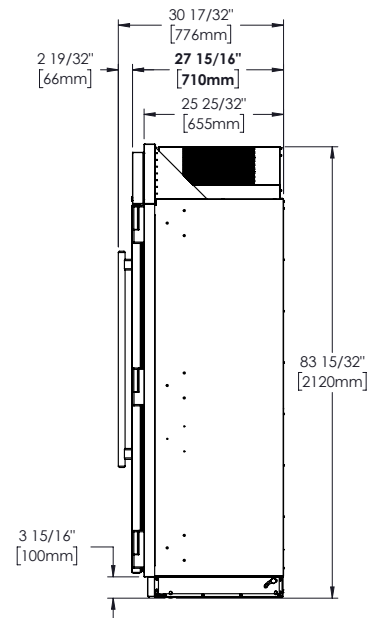
TR-24 – TOP VIEW



TR-24 – FRONT VIEW

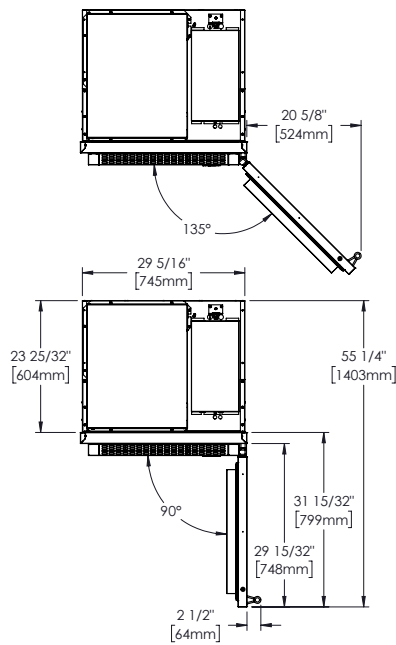


TR-24 – SIDE VIEW

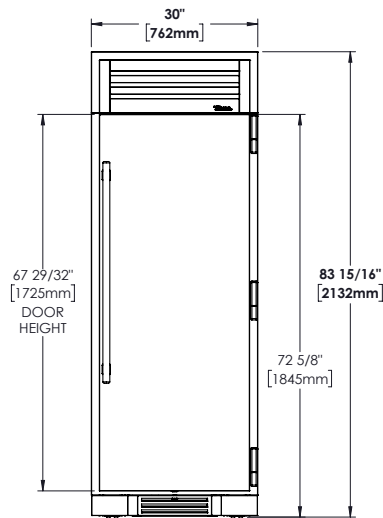


NOTE: Dimensions may vary by ± 1/8" (3.2 mm)

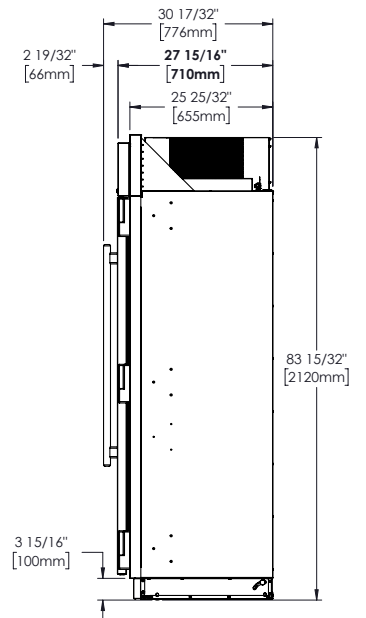
TR-30 – TOP VIEW



TR-30 – FRONT VIEW

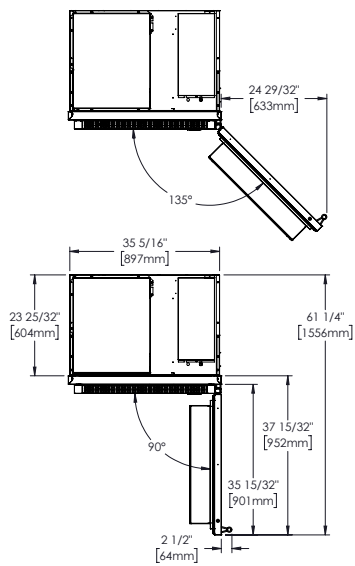


TR-30 – SIDE VIEW

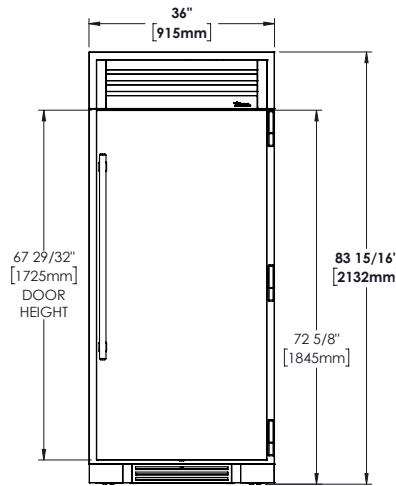


NOTE: Dimensions may vary by  $\pm 1/8$ " (3.2 mm)

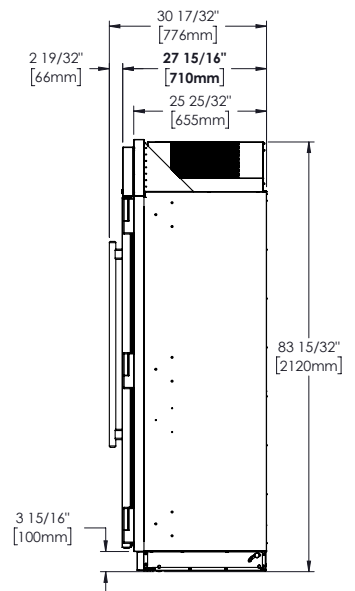
TR-36 – TOP VIEW



TR-36 – FRONT VIEW



TR-36 – SIDE VIEW



NOTE: Dimensions may vary by  $\pm 1/8''$  (3.2 mm)

## ELECTRICAL SAFETY

**Power Supply: 115VAC, 60hz**

**Circuit Breaker: 15 Amp**

**Receptacle: 3-Prong Grounding-Type**

- For all built-in models, the electrical supply should be located within the indicated shaded area shown in the figure below.
- Be sure to follow the National Electrical Code, as well as local codes and ordinances, when installing the receptacle.
- A ground fault circuit interrupter (GFCI) is not recommended and may cause interruption of operation.
- The power cord from this appliance is equipped with a grounding plug which minimizes the possibility of electric shock hazard.
- The wall outlet and circuit should be checked by a licensed electrician to be sure the outlet is wired with the correct polarity and properly grounded.
- If the outlet is a standard 2-prong outlet, it is your personal responsibility and obligation to have it replaced with a properly grounded wall outlet.
- **DO NOT**, under any circumstances, cut or remove the ground prong from the power cord. For personal safety, this appliance must be properly grounded.
- The refrigerator/freezer should always be plugged into a dedicated electrical circuit. This provides the best performance and prevents building wiring circuits from overloaded, which could cause a fire hazard from overheated wires.
- **NEVER USE AN ADAPTER PLUG!** An adapter plug alters the original equipment manufacturer (OEM) plug configuration when connecting it to a power source. True will not warranty any refrigerator/freezer that has been connected to an adapter plug.

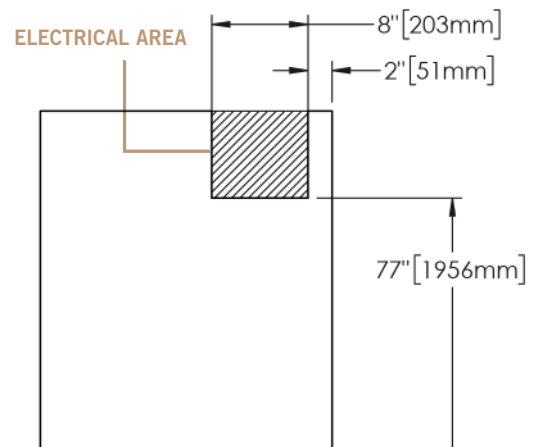


- **NEVER USE AN EXTENSION CORD!** An extension cord is any component that adds length to the OEM power cord when connecting it to a power source. True will not warranty any refrigerator/freezer that has been connected to an extension cord.
- Before your new unit is connected to a power supply, check the incoming voltage. If the recorded voltage is less than the rated voltage for operation (+/-5%) and amp rating, correct immediately. Refer to the serial label for this voltage requirement.
- **NEVER** unplug your refrigerator/freezer by pulling on the power cord. Always grip the plug firmly and pull straight from the outlet.
- When moving the refrigerator/freezer for any reason, take care to not roll over or damage the power cord.
- Immediately repair or replace all power cords that have become frayed or otherwise damaged. **DO NOT** use a power cord that shows cracks or abrasion damage along its length or at either end.
- If the supply power cord is damaged, replace it with OEM components. To avoid hazard, this should be done by a licensed service provider or similarly qualified person.



## PRIOR TO INSTALLATION

### FRONT VIEW ELECTRICAL AREA



NOTE: Dimensions may vary by  $\pm 1/8"$  (3.2 mm)

## POWER CORD

### INSTALLATION

Fully seat the power cord into the appliance receptacle until it locks in position. See fig. 1.

### REMOVAL

Depress the red button. See fig. 2.

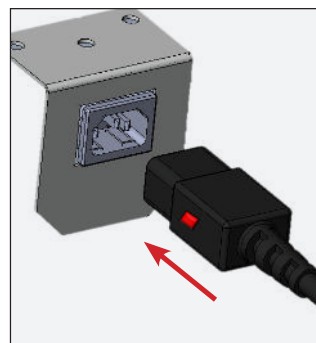


FIG. 1. Fully insert the power cord into the receptacle.



FIG. 2. Push the red button to remove the plug.

OPTIONAL ICEMAKER REQUIREMENTS (TR-FRZ-IM)

WATER SUPPLY REQUIREMENTS



**WARNING! ONLY CONNECT YOUR APPLIANCE TO A POTABLE WATER SUPPLY.**

Units with icemakers come with 20” (508 mm) of polyethylene tubing with a 1/4” O.D. push connector for customer attachment.

Before installing your unit, prepare the water supply line. Please see plumbing requirements in the plumbing requirements table.

- Purge the water line prior to final connection to the unit. This removes any debris present in the line.
- Do not connect to a hot water supply!
- Install the water filter before turning on the water supply to the icemaker. See “Water Filter Installation” (pg. 22).
- A copper line is not recommended for this application.
- Check all water line fittings for leaks.
- **Your ice quality is only as good as the water supply quality and routine maintenance.** Hard water softened by a water softener can result in white, mushy cubes. TRUE recommends changing the water filter every six (6) months.
- Tape the supply line to the floor before moving the unit into its final installation location.
- In the water connection area (see the rough opening illustration), tape the water line to the floor.

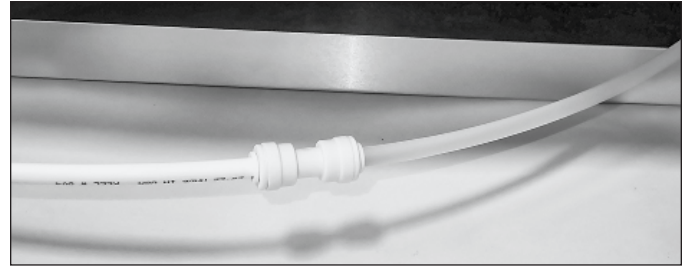
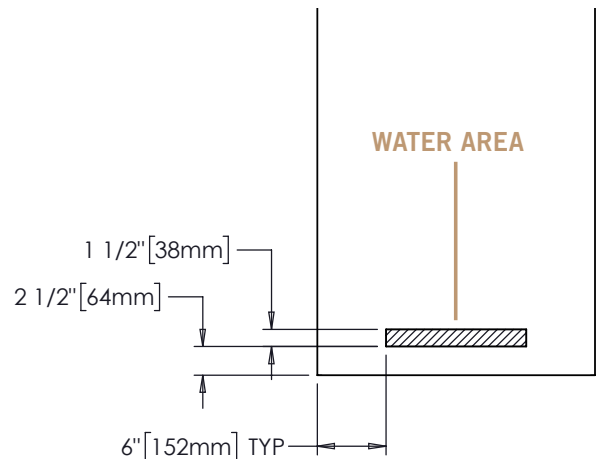


FIG. 1. Water line connection. Fitting included, PEX not included

Plumbing Requirements	
Water Supply	1/4" PEX tubing (1/4" O.D. lines and fittings not included <b>NOTE: Copper line is not recommended</b> )
Flow Rate	0.5 gpm / 1.89 lpm
Operating Pressure	30-100 psi (207-689 kPa)
Incoming Water Temperature	33-100°F (0.6-38°C)



NOTE: Dimensions may vary by ± 1/8" (3.175 mm)

WATER FILTER INSTALLATION & PERFORMANCE DATA



**WARNING! SHARP EDGES!** Take care when moving, installing, cleaning, servicing, and maintaining the appliance to avoid cuts. Be sure to take care when reaching under the appliance or handling metal components. Gloves recommended.



**WARNING! CHOKING HAZARD!** Small parts. Keep away from children under 8 years.



**NOTE: BEFORE CONSUMING ICE, DISCARD THE FIRST FULL BIN OF ICE (48 HOURS). THIS FLUSHES THE SYSTEM OF IMPURITIES.**

The water filters sediment and removes unpleasant taste and odor.

**NOTE: IF THE RESIDENCE IS EQUIPPED WITH A WATER FILTRATION SYSTEM, REVERSE OSMOSIS (RO) AND/OR WATER SOFTENER, DO NOT INSTALL THE WATER FILTER. THE APPLIANCE IS EQUIPPED WITH AN AUTOMATIC BYPASS.**

**PROCEDURE**

1. Remove the kickplate. See fig. 1.
2. Locate the provided water filter. See fig. 2.
3. Remove the outer packaging and the water filter cap. See fig. 3.
4. Inspect the water filter head and o-rings for damage. See fig. 4.
5. With the handle arrows (see fig. 5) vertical, insert the water filter into the filter receptacle. See fig. 6.
6. Rotate the water filter clockwise until the filter stops turning. See fig. 6 and 7.

**NOTE: THE HANDLE ARROWS SHOULD BE SLIGHTLY BEYOND HORIZONTAL. SEE FIG. 7.**

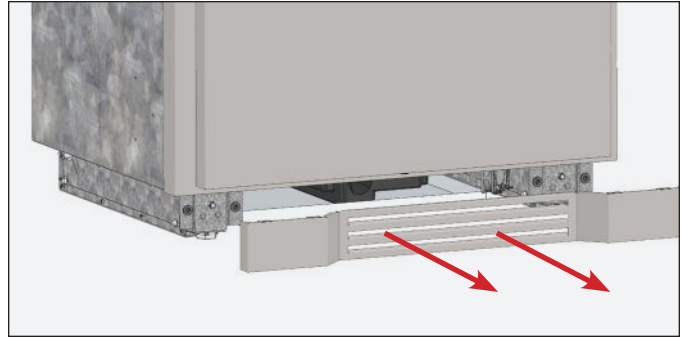


FIG. 1. Pull the kickplate from the cabinet.



FIG. 2. Locate the provided water filter shipped in the ice bucket.



FIG. 3. Sanitary cap over water filter head.



FIG. 4. Undamaged water filter head (A) vs. a damaged water filter head (B).

WATER FILTER INSTALLATION & PERFORMANCE DATA (CONT.)

7. Press and hold the test button\* on the icemaker (see fig. 8) for 5-10 sec. Then, check the water filter area for leaks. If leaks are detected, repeat step 6.
8. Reinstall the kickplate.
9. Before consuming ice, discard the first full bin of ice (48 hours). This flushes the system of impurities.

\*The test button cycles the icemaker. The ice tray will fill with water. Please note if the button is pressed and held multiple times, the tray will empty into the appliance. Make sure the ice bin is in place to catch the tray contents.

WATER FILTER PERFORMANCE DATA

- This system has been tested according to NSF/ANSI Standard 42, 53, 372, 401, P473 and CSA B483.1 for reduction of the substances listed below. The concentration of the indicated substances in water entering the system was reduced to a concentration less than or equal to the permissible limit for water leaving the system, as specified in NSF/ANSI Standards 42, 53, 372, 401, P473 and CSA B483.1.
- Systems certified for cyst reduction may be used on disinfected waters that may contain filterable cysts. The system conforms to NSF/ANSI 42, 53, 372, 401, P473 and CSA B483.1 for the specific performance claims as verified and substantiated by test data. Conforms to NSF/ANSI 53 for VOC reduction. See below for individual contaminants and reduction performance.

**NOTE: TESTING WAS PERFORMED UNDER STANDARD LABORATORY CONDITIONS, ACTUAL PERFORMANCE MAY VARY.**

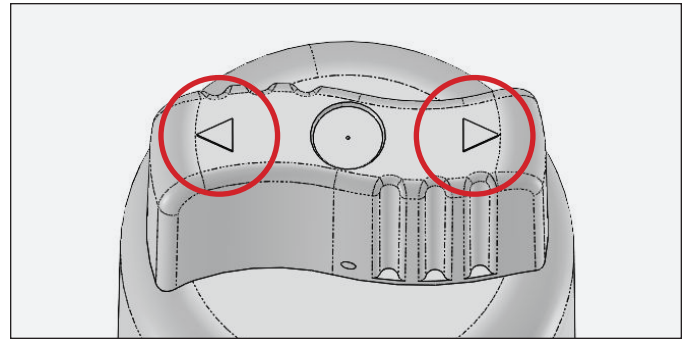


FIG. 5. Water filter handle arrow locations.

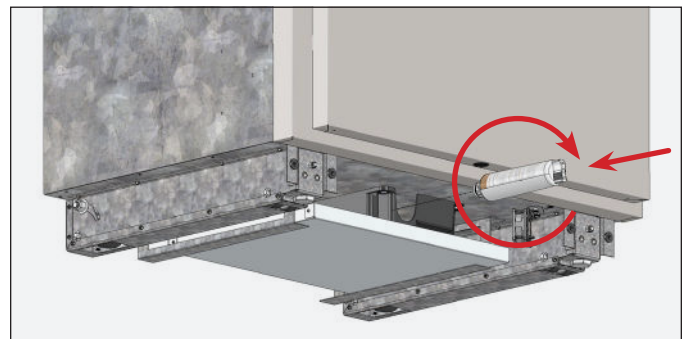


FIG. 6. Insert the water filter and rotate it clockwise.

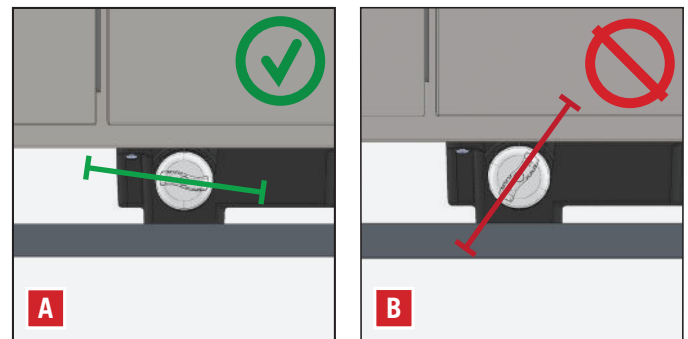


FIG. 7. Correct install (A) vs. incorrect install (B).



FIG. 8. Test button located on underside of icemaker by TRUE logo.

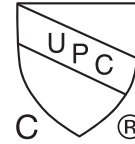
# PRIOR TO INSTALLATION

## WATER FILTER INSTALLATION & PERFORMANCE DATA (CONT.)

- System to be used with municipal or well water sources treated and tested on regular basis to ensure bacteriological safe quality. Do not use with water that is microbiologically unsafe or of unknown quality without adequate disinfection before or after the system.
- It is essential that the manufacturer's recommended installation, maintenance and filter replacement requirements be carried out for the product to perform as advertised. Manufactured by Aquamor, LLC, Temecula, CA.

### Filter Specifications

<b>Flow Rate</b>	0.5 gpm / 1.89 lpm
<b>Operating Temperature</b>	33-100°F (0.6-38°C)
<b>Operating Pressure</b>	30-100 psi (207-690 kPa)
<b>Capacity</b>	300 gal. (1,136 L) or six months



### CONTAMINANT AND REDUCTION PERFORMANCE

Contaminant	% of reduction	Influent Concentration	Max Allowable
CHLORINE	>97%	2.0 mg/L	1.0 mg/L
ALACHLOR*	>98%	0.050	0.001
Asbestos	99.98%	189 MFL	99%
ATRAZINE*	>97%	0.100	0.003
BENZENE*	>99%	0.081	0.001
BISPHENOL	99.1%	2.058 mg/L	<0.300ng/L
BROMODICHLOROMETHANE (TTHM)*	>99.8%	0.300	0.015
BROMOFORM (TTHM)*	>99.8%	0.300	0.015
CARBOFURAN (Furadan)*	>99%	0.19	0.001
Carbon Tetrachloride	>95%	0.014	0.005
CHLORDANE	>99.5%	0.04 +/-10%	0.002
CHLOROBENZENE (Monochlorobenzene)*	>99%	0.077	0.001
CHLOROPICRIN*	99%	0.015	0.0002
CHLOROFORM (TTHM)* (surrogate chemical)	>99.8%	0.300	0.015
2, 4-D*	98%	0.110	0.0017
CYST (Giardi; Cryptosporidium; Entamoeba; Toxoplasma)	>99.95%	MINIMUM 50,000/L	99.95% REDUCTION REQUIREMENT
Cryptosporidium (see CYST)	>99.95%	MINIMUM 50,000/L	99.95% REDUCTION REQUIREMENT
DBCP (see Dibromochloropropane)*	>99%	0.052	0.00002
1,2-DCA (see 1,2-DICHLOROETHANE)*	95%	0.088	0.0048
1,1-DCE (see 1,1-DICHLOROETHYLENE)*	>99%	0.083	0.001
DIBROMOCHLOROMETHANE (TTHM; Chlorodibromomethane)*	>99.8%	0.300	0.015
DIBROMOCHLOROPROPANE (DBCP)*	>99%	0.052	0.00002
o-DICHLOROBENZENE (1,2 Dichlorobenzene)*	>99%	0.080	0.001
p-DICHLOROBENZENE (para-Dichlorobenzene)	>98%	0.040	0.001
1,2-DICHLOROETHANE (1,2-DCA)*	95%	0.088	0.0048
1,1-DICHLOROETHYLENE (1,1-DCE)*	>99%	0.083	0.001
CIS-1,2-DICHLOROETHYLENE*	>99%	0.170	0.0005
TRANS-1,2- DICHLOROETHYLENE*	>99%	0.086	0.001
1,2-DICHLOROPROPANE (Propylene Dichloride)*	>99%	0.080	0.001
CIS-1,3- DICHLOROPROPYLENE*	>99%	0.079	0.001
DINOSEB*	99%	0.170	0.0002
EDB (see ETHYLENE DIBROMIDE)*	>99%	0.044	0.00002
ENDRIN	99%	0.053	0.00059
Entamoeba (see CYSTS)	99.95%	MINIMUM 50,000/L	99.95% REDUCTION REQUIREMENT
ESTRONE	96.9%	0.1388 mg/L	<0.020 mg/L
ETHYLBENZENE*	>99%	0.088	0.001
ETHYLENE DIBROMIDE (EDB)*	>99%	0.044	0.00002
Furadan (see CARBOFURAN)*	>99%	0.19	0.001
Giardia Lamblia (see CYST)	>99.95%	MINIMUM 50,000/L	99.95% REDUCTION REQUIREMENT
HALOACETONITRILES (HAN)*			
BROMOCHLOROACETONITRILE	98%	0.022	0.0005
DIBROMOACETONITRILE	98%	0.024	0.0006
HALOACETONITRILES (HAN)*			
DICHLOROACETONITRILE	98%	0.0096	0.0002
TRICHLOROACETONITRILE	98%	0.015	0.0003

Contaminant	% of reduction	Influent Concentration	Max Allowable
HALOKETONES (HK):*			
1,1-DICHLORO-2-PROPANONE	99%	0.0072	0.0001
1,1,1-TRICHLORO-2-PROPANONE	96%	0.0082	0.0003
HEPTACHLOR*	>99%	0.25	0.00001
HEPTACHLOR EPOXIDE*	98%	0.0107	0.0002
HEXACHLOROBUTADIENE (Perchlorobutadiene)*	>98%	0.044	0.001
HEXACHLOROCYCLOPENTADIENE*	>99%	0.060	0.000002
IBUPROFEN	96.7%	0.432 mg/L	<0.060 mg/L
LEAD (pH 6.5)	>99.3%	0.15 +/- 10%	0.010
LEAD (pH 8.5)	>99.3%	0.15 +/- 10%	0.010
LINDANE*	>99%	0.055	0.00001
METHOXYCHLOR*	>99%	0.050	0.0001
Methylbenzene (see TOLUENE)*	>99%	0.078	0.001
Mercury (pH 6.5)	74.9%	0.0059	0.002
Mercury (pH 8.5)	97.8%	0.0061	0.002
Monochlorobenzene (see CHLOROBENZENE)*	>99%	0.077	0.001
NAPROFEN	95.3%	0.130 mg/L	<0.020 mg/L
NONYLPHENOL	97.1%	2.058 mg/L	<0.200 mg/L
POLYCHLORINATED BIPHENYLS (PCBs, Aroclor 1260)	>99.9%	0.01 +/- 10%	0.0005
PCE (see Tetrachloroethylene)	>96%	0.014	0.005
PENTACHLOROPHENOL*	>99%	0.096	0.001
Perchlorobutadiene (see HEXACHLOROBUTADIENE)*	>98%	0.044	0.001
PFOA	98.0%	0.0005 mg/L	<0.00007 mg/L
PFOS	98.0%	0.001 mg/L	<0.00007 mg/L
Phenytoin	94.7%	0.2173 mg/L	<.030 mg/L
Propylene Dichloride (see 1,2-DICHLOROPROPANE)*	>99%	0.080	0.001
SIMAZINE*	>97%	0.120	0.004
STYRENE (Vinylbenzene)*	>99%	0.150	0.0005
1,1,1-TCA (see 1,1,1-TRICHLOROETHANE)*	95%	0.084	0.0046
1,2,4-Trichlorobenze	>99%	0.215	0.07
TCE (see TRICHLOROETHYLENE)*	>99%	0.180	0.0010
1,1,2,2- TETRACHLOROETHANE*	>99%	0.081	0.001
TETRACHLOROETHYLENE*	>99%	0.081	0.001
TOLUENE (Methylbenzene)*	>99%	0.078	0.001
TOXAPHENE	>92.9%	0.015 +/- 10%	0.003
2,4,5-TP (Silvex)*	99%	0.270	0.0016
Toxoplasma (see CYST)	>99.95%	MINIMUM 50,000/L	99.95% REDUCTION REQUIREMENT
TRIBROMOACETIC ACID*		0.042	0.001
1,1,1-TRICHLOROETHANE (1,1,1-TCA)*	95%	0.084	0.0046
1,1,2-TRICHLOROETHANE*	>99%	0.150	0.0005
TRICHLOROETHYLENE (TCE)*	>99%	0.180	0.0010
TRIALOMETHANES (TTHM) (Chloroform; Bromoform; Bromodichloromethane; Dibromochloromethane)	>99.8%	0.300	0.015
Unsym-Trichlorobenzene (see 1,2,4-TRICHLOROBENZENE)*	>99%	0.160	0.0005
Vinylbenzene (see STYRENE)*	>99%	0.150	0.0005
XYLENES (TOTAL)*	>99%	0.070	0.001

## WINE RACK HANDLE FINISH APPLICATION (TR-DZW)

See finish (e.g., paint or stain) for application instructions and drying/curing times. Drying/Curing times vary by finish. Follow recommended guidelines associated with treating unfinished natural cherry wood.

**NOTE: REMOVE THE WINE RACK HANDLES FROM THE WINE RACK ASSEMBLY BEFORE APPLYING FINISH!**

**NOTE: FINISH ODORS FROM PANELS INSTALLED BEFORE FULLY DRYING/CURING CAN LINGER AND BE ABSORBED BY THE CABINET'S INTERIOR. TRUE IS NOT RESPONSIBLE FOR LINGERING FINISH ODORS INSIDE THE UNIT.**

### REQUIRED TOOLS

- Phillips Screwdriver or Bit Driver
- Drill (optional)

### STYLE #1

#### REMOVAL

1. Pull the wine rack forward.
2. Push the slide release tabs as indicated by the release arrows (see fig. 1) and pull the wine rack forward.
3. Remove the wine rack handle from the wine rack assembly. See fig. 2.

#### INSTALLATION

1. Install the wine rack handle on the wine rack assembly. See fig. 2.
2. Position the wine rack on the slides and carefully push the wine rack towards the back of the unit.

### STYLE #2

#### REMOVAL

1. Pull the wine rack forward.
2. Remove the wine rack assembly screws. See fig. 3. Then, lift the wine rack assembly from the slides.
3. Remove the wine rack handle from the wine rack assembly. See fig. 2.

#### INSTALLATION

1. Install the wine rack handle on the wine rack assembly. See fig. 2.
2. Extend the slides.
3. Position the wine rack on the slides. Then, reinstall the wine rack assembly screws.

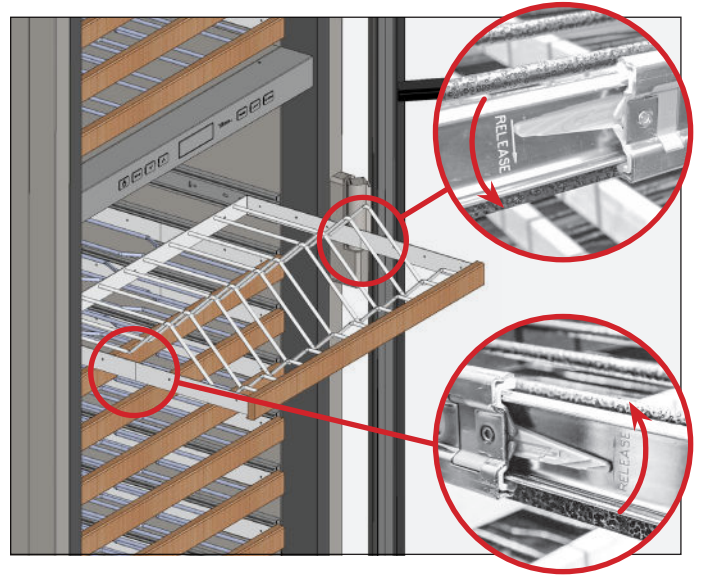


FIG. 1. Push the left release tab up and the right release tab down.

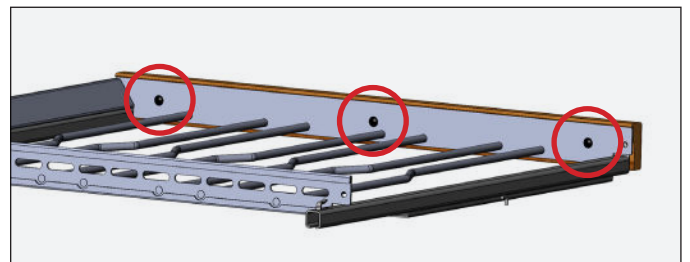


FIG. 2. Wine rack handle screw locations.



FIG. 3. Wine rack assembly screw locations and screw closeup.



UNCRATING

ANTI-TIP BRACKET

LEVELING

KICKPLATE INSTALLATION

JOINING KIT INSTALLATION



PRESERVE THE MOMENT®

## UNCRATING

### REQUIRED TOOLS

- Drill or ratchet
- 7/16" Deep well socket
- Cutting Tool



**WARNING! TIP OVER HAZARD.** Unit poses a tipping hazard when moving or during installation. Do not move the unit without the shipping brackets installed.

Do not remove the appliance from the pallet without assistance. Failure to do so may result in property damage, personal injury, or death.

**NOTE: YOUR APPLIANCE MAY NOT EXACTLY MATCH FIGURES SHOWN.**

### PROCEDURE

1. Inspect the pallet exterior packaging for visible damage. See fig. 1. Follow TRUE's recommended procedure for accepting deliveries.
2. Remove the exterior packaging. Inspect the unit's exterior for visible or cosmetic damage. See figs. 2 and 3.

**NOTE: DO NOT DISCARD THE KICKPLATE (SEE FIG. 4). IF MOVING THE UNIT A LONG DISTANCE (E.G., BETWEEN BUILDINGS OR ON STAIRS), DO NOT DISCARD THE EXTERIOR CARDBOARD.**



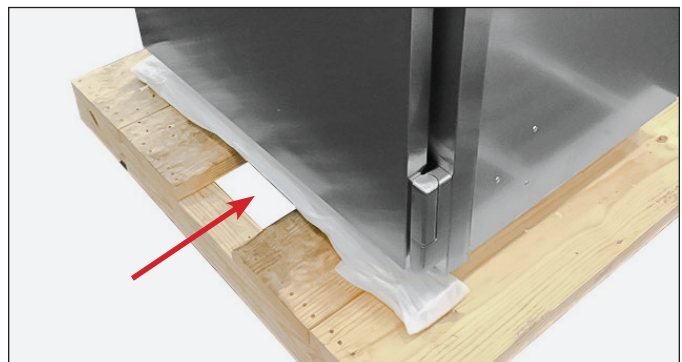
**FIG. 1.** Inspect the exterior packaging for visible damage.



**FIG. 2.** Inspect the unit's exterior for visible damage.



**FIG. 3.** Be sure to inspect the rainshield.



**FIG. 4.** Packaged kickplate ships tucked under the unit's front.

## UNCRATING (CONT.)

3. Closely inspect the unit's interior for damage (e.g., scratches by shelving or damage to the door seal). See fig. 5.

**NOTE: DO NOT REMOVE THE INTERIOR PACKAGING.**

4. Move the unit as close as possible to the final installation location.

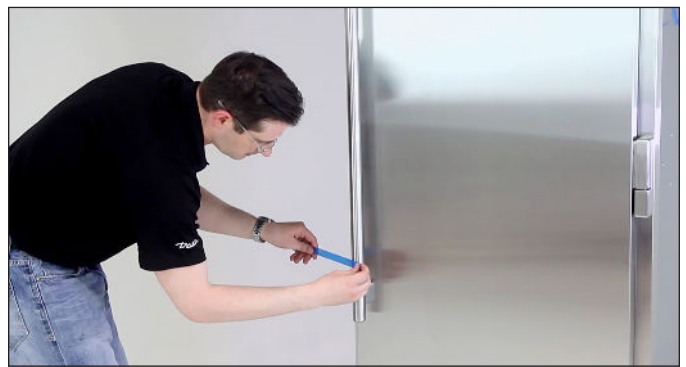
**NOTE: SECURE THE DOOR BEFORE MOVING THE UNIT TO ITS FINAL LOCATION (SEE FIG. 6). REPACKAGE THE UNIT WITH THE EXTERIOR PACKAGING AS NEEDED BEFORE MOVING THE UNIT.**

5. Unbolt the shipping bracket from the castor housing. Then, remove the anti-tip bracket. See figs. 7 and 8.

**NOTE: DO NOT DISCARD THE ANTI-TIP BRACKET.**



**FIG. 5.** Inspect inside the unit for visible damage. Do not remove the interior packaging.



**FIG. 6.** Always secure the door closed before moving the appliance.



**FIG. 7.** Shipping bracket bolt locations.



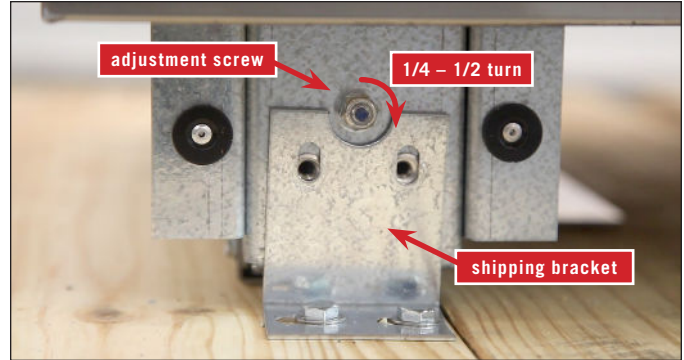
**FIG. 8.** Anti-tip bracket shipping bolt locations. Other side not shown.

## UNCRATING (CONT.)

6. Slightly raise the rear leveling leg rollers. Turn the front adjustment screw 1/4-1/2 turn clockwise. See fig. 9.
7. With assistance, pull the unit off the back of the skid. Then, remove the skid and Carefully guide the unit to a fully upright position. See figs. 10a, 10b, and 10c.



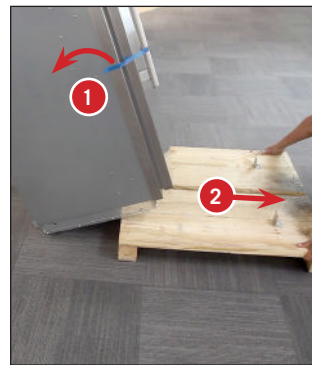
**CAUTION!** Only lift with appliance moving equipment from the unit's sides, never the front or rear. See fig. 11. Failure to do so may result in personal injury or appliance damage. Do not lift the unit by handles, doors, or hinges.



**FIG. 9.** Adjustment screw location. Other adjustment screw not shown.



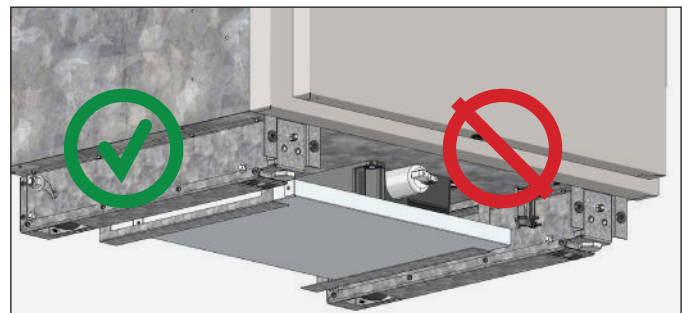
**FIG. 10A.** With assistance, carefully walk the appliance partially off the back of the skid.



**FIG. 10B.** Then, tilt the unit backward and remove the skid.



**FIG. 10C.** Carefully guide the appliance to an upright position.



**FIG. 11.** Only lift with appliance moving equipment from the **SIDES**, NEVER the **FRONT** or **REAR**.



## ANTI-TIP BRACKET INSTALLATION (REQUIRED)



**WARNING! TIP OVER HAZARD.** Unit poses a tipping hazard when moving or during installation. Do not move the unit without the shipping brackets installed. Do not remove the appliance from the pallet without assistance. Failure to do so may result in property damage, personal injury, or death.



**WARNING! TIP OVER HAZARD. Anti-tip bracket must be installed** to ensure personal safety, correct operation, and proper airflow.



### USER ACTION!

- Install the anti-tip bracket before moving the unit into its final operating position.
- Contact a qualified flooring installer for the best procedure of drilling pilot holes through your flooring material.

### KIT CONTENTS

- (1) One anti-tip bracket (fig. 1)
- (4) Four 3/16" masonry screws
- (8) Eight #12-2" wood screws
- (12) Twelve 1/4" washers



**FIG. 1.** Anti-tip bracket. Do not discard.

### REQUIRED TOOLS

Required tools include (but may not be limited to) the following:

- Tape measure
- Marking utensil
- 1/8" drill bit
- 7/16" socket
- Phillips bit driver
- Drill or ratchet

### PROCEDURE

1. Measure and mark the anti-tip bracket's placement in the installation location. See fig. 2.
2. Position the bracket. Then, with the bracket as a guide, drill pilot holes into the wall and/or floor.

**NOTE: FOR INCREASED STABILITY, SECURE THE BRACKET TO AS MANY JOISTS AND/OR STUDS AS POSSIBLE.**

3. With the provided hardware, secure the anti-tip bracket.
4. Adjust the rear leveling rollers 1/4 turn clockwise.
5. Slide the unit into place and hook the anti-tip bracket into the castor assembly slots.

# INSTALLATION

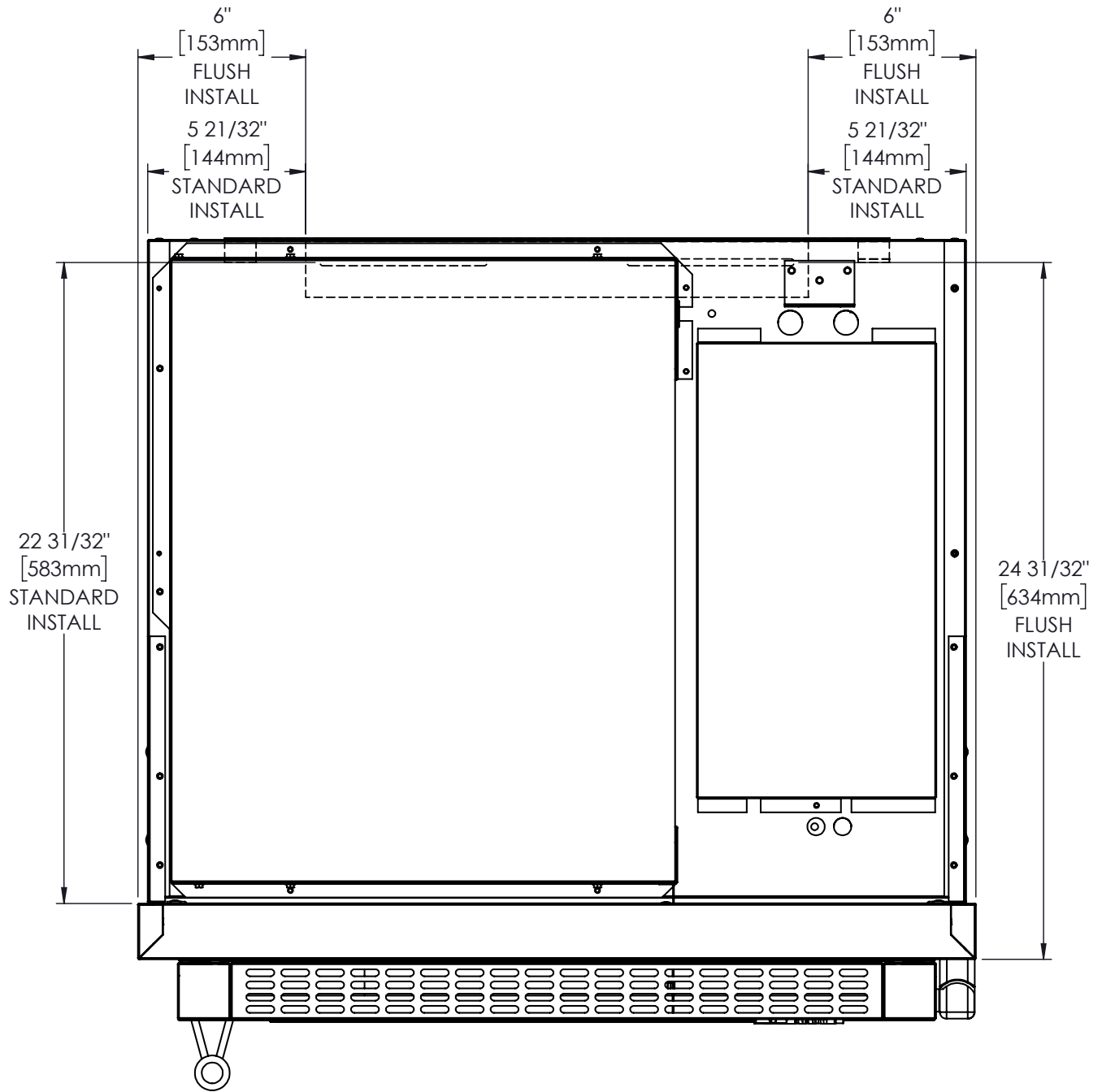
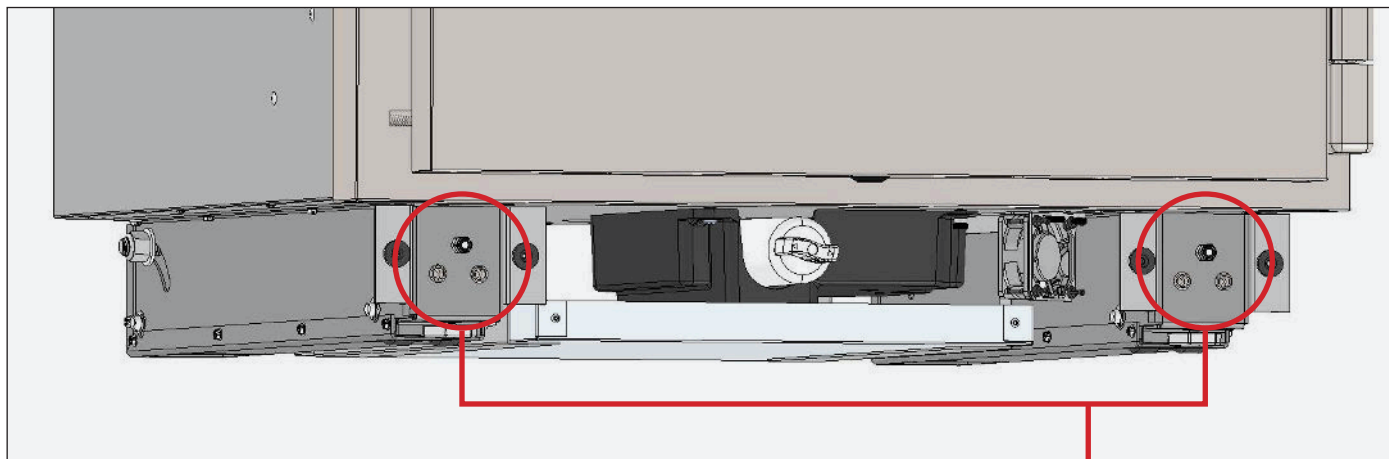


FIG. 2. Diagram of anti-tip bracket installation location.

## INSTALLATION



### LEVELING

Once the appliance is installed in its final location, it is important that it is properly leveled. When the appliance is properly leveled, doors, drawers, and rainshields are less likely to need adjustments. Proper leveling also ensures the gasket seals, drain pans do not spill over, and the best refrigeration performance.

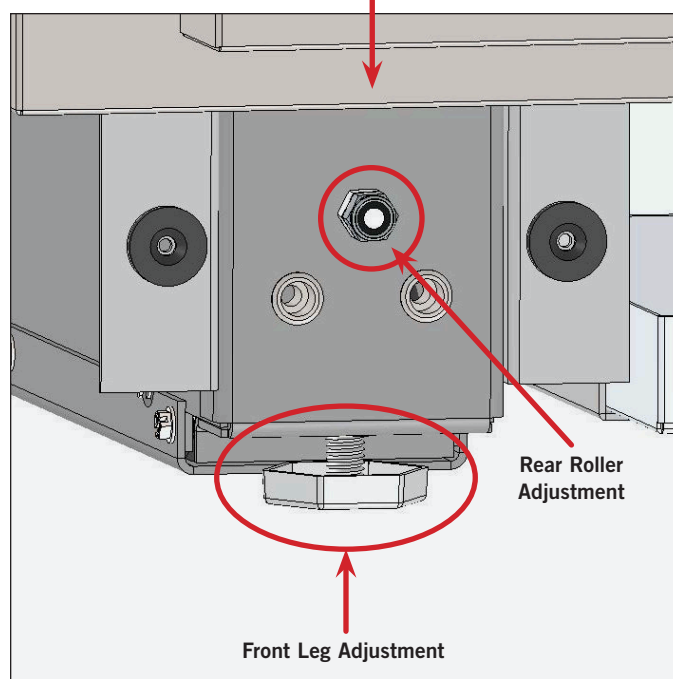
### PROCEDURE

1. Verify the rear rollers and the front leveling legs are raised as high as possible and the appliance is resting on the castor bases.
2. Place a level on the appliance's interior floor. Check the level front-to-back and side-to-side.
3. If present, remove the kickplate. The kickplate is magnetically attached to the appliance. With a 7/16" socket, adjust the rear height. Turn the rear roller adjustment nut clockwise to raise the unit and counterclockwise to lower the unit.

**NOTE: ADJUST THE REAR HEIGHT JUST ENOUGH OR THE REAR ROLLER TO TOUCH THE GROUND.**

4. With the provided wrench, adjust the front leveling legs as needed. See fig. 1

**NOTE: ADJUST THE FRONT HEIGHT JUST ENOUGH FOR THE FRONT LEGS TO TOUCH THE GROUND.**



## KICKPLATE INSTALLATION

The kickplate (see fig. 1) is shipped unattached to the unit to allow easy access for leveling the unit. The kickplate attaches to the unit with magnets (see fig. 2) located on either side at the bottom of the unit.

### INSTALLATION

After leveling the unit, position the kickplate at the bottom of the unit's front. See fig. 3.

### REMOVAL

Pull the kickplate away from the unit.

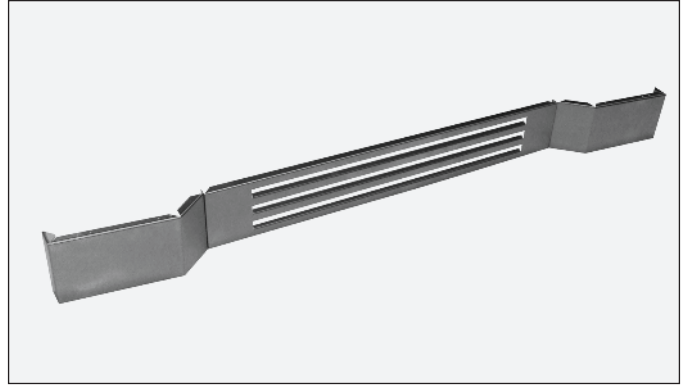


FIG. 1. The kickplate.

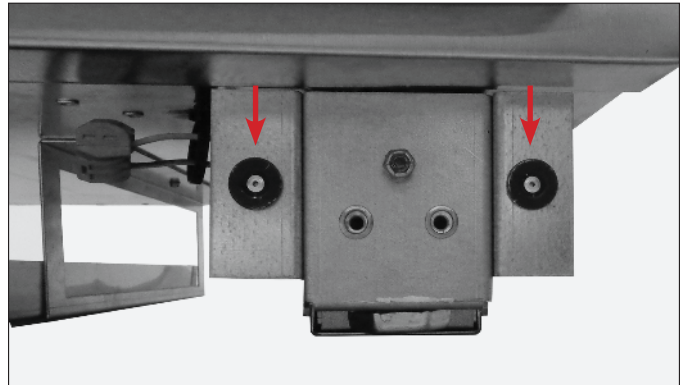


FIG. 2. The magnets. One side shown.



FIG. 3. Installed kickplate.

## JOINING KIT INSTALLATION

### KIT CONTENTS

- (1) Joining Rainshield Assembly
- (1) Joining Kickplate
- Anti-Sweat Foam End Panels\*
- Joining Bracket\*
- 1/4-20 x 1" Hex Head Screws\*
- 1/4" Split Lock Washers\*

\*Quantities vary by kit size.

### REQUIRED TOOLS

Required tools include (but may not be limited to) the following:

- Phillips Bit Driver or Screwdriver
- 7/16" Socket Wrench
- 1/4" Socket Wrench
- Tape
- Marking Utensil
- Drill

**NOTE: MAKE SURE THE ANTI-TIP BRACKETS ARE INSTALLED PER INSTALLATION MANUAL INSTRUCTIONS. EACH UNIT WILL ALSO NEED TO BE PROPERLY LEVELED PER INSTALLATION MANUAL INSTRUCTIONS.**



**DANGER!** Electrical shock or burn hazard. Unplug the unit or turn off the power supply before proceeding.



**WARNING! TIP OVER HAZARD.** To avoid hazards from appliance instability, be sure to install the anti-tip brackets (see fig. 1) on each individual unit per the installation manual instructions. If the appliance is moved, verify that the device is properly engaged before the normal usage of the appliance commences.

### PROCEDURE

1. Remove the reed switch bracket. See figs. 2 and 3.
2. Remove the reed switch cover, and then disconnect the reed switch. See figs. 4 and 5.



**NOTE: IF FOUR (4) WIRES ARE CONNECTED TO THE REED SWITCH, BE SURE TO CLEARLY LABEL THE WIRES' ORIGINAL LOCATIONS BEFORE DISCONNECTING THE REED SWITCH. WIRE LOCATION IS CRITICAL TO THE APPLIANCE'S OPERATION. SEE FIG. 5.**

3. Remove the reed switch wire from the rainshield. See figs. 6 and 7.
4. Remove the rainshield. See figs. 8-10.
5. Repeat steps 1-4 for each unit of the joined installation.
6. Remove the inner magnet brackets (see figs. 11 and 12). Then, thread and tighten the magnet bracket screws. Discard the magnet bracket.

**NOTE: BE SURE TO RETURN MAGNET BRACKET SCREWS TO THEIR ORIGINAL POSITIONS; THE SCREWS SUPPORT THE CASTOR ASSEMBLY HOUSING.**



**FIG. 1.** Anti-tip bracket. Be sure to install a bracket for each unit.

JOINING KIT INSTALLATION (CONT.)



FIG. 2. Pull the rainshield open.



FIG. 3. Locate the reed switch in the bottom of the rainshield.



FIG. 4. Remove the plastic cover.

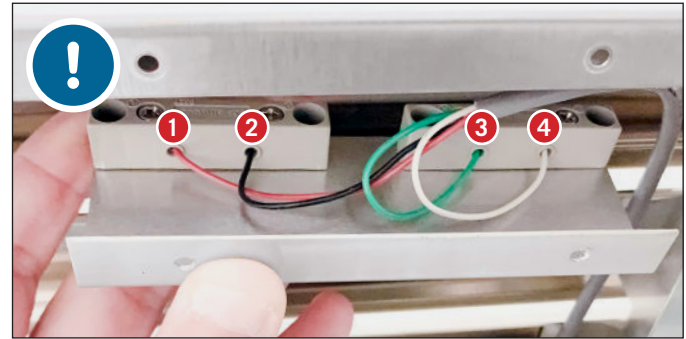


FIG. 5. Label the original wire locations **BEFORE** disconnecting the reed switch.



FIG. 6. Remove the p-clip holding the wire to the rainshield.



FIG. 7. Pull the reed switch wire through the rainshield bushing.



FIG. 8. Bracket screw location. Other bracket not shown.



FIG. 9. Rainshield screw locations.

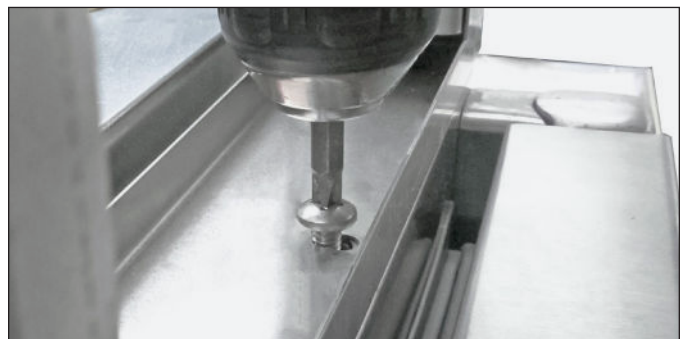


FIG. 10. Remove the screws from the metal channel.

## JOINING KIT INSTALLATION (CONT.)

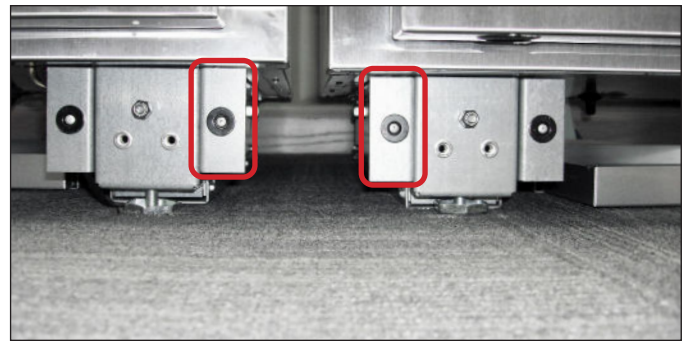
7. Install anti-sweat foam end panels on the joined units' sides where the appliances will meet. See figs. 13 and 14.
8. Position the units in front of the final installation location. Then, level the units.
9. Verify the fronts of the units are flush at the seams and the gap(s) between the units is (are) consistent from top to bottom. See figs. 15 and 16.
10. With the provided hardware, install the joining bracket across the interior legs. See figs. 17 and 18.
11. With the existing hardware, install the joining rainshield assembly. See fig. 19.

**NOTE: ASSISTANCE (AT LEAST TWO (2) PEOPLE) RECOMMENDED.**

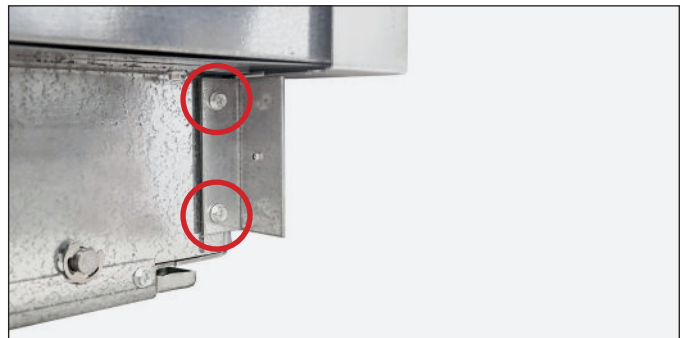
12. Route the reed switch wires through the rainshield. See figs. 6 and 7.
13. With the predrilled holes in the joining rainshield, connect and install the reed switches near the handle-side of the units.



**NOTE: BE SURE TO CONNECT THE WIRES TO THE REED SWITCH AS ORIGINALLY CONFIGURED. WIRE LOCATION IS CRITICAL TO THE APPLIANCE'S OPERATION. SEE FIGS. 5 OR 20.**



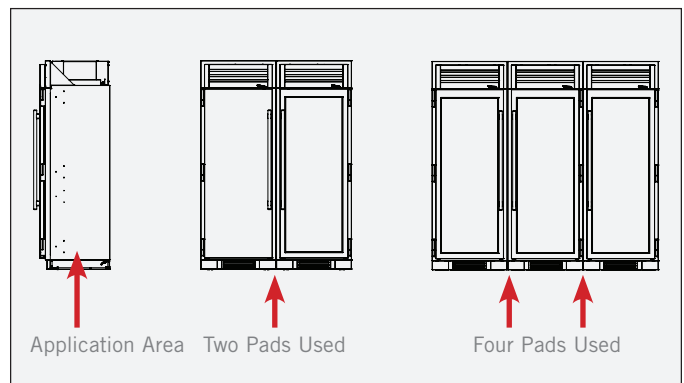
**FIG. 11.** Remove and discard the interior magnet brackets.



**FIG. 12.** Magnet bracket screw locations.



**FIG. 13.** Install the anti-sweat foam panel where the unit will be positioned next to another unit.



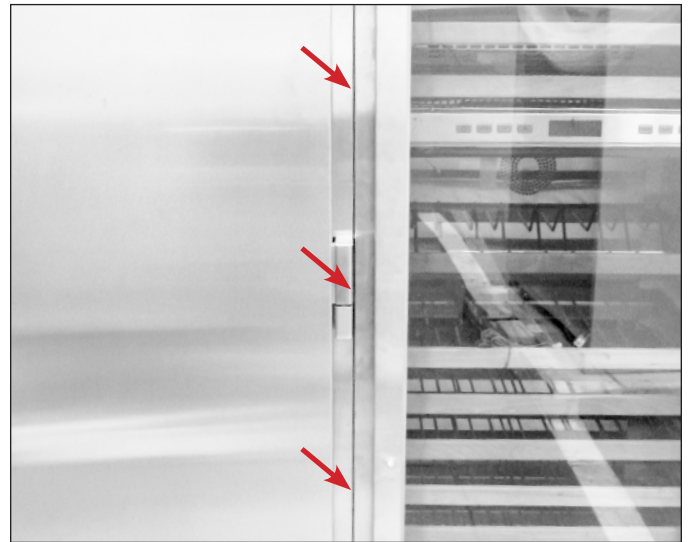
**FIG. 14.** Install foam pads between the joined units.

## JOINING KIT INSTALLATION (CONT.)

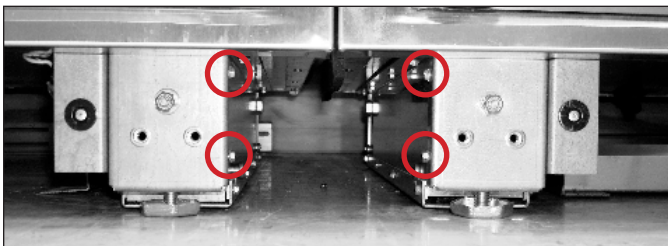
14. Walk the joined units into their final installation location.
15. Verify the level of the appliances. Level the units as needed.
16. Restore power to the units and turn the units on.
17. After 3 minutes of runtime, open the doors individually and verify correct door switch operation. When operating correctly, the following should occur:
  - Unless set otherwise, the lights turn on and off with the door openings.
  - The evaporator (interior) fan turns on and off with door openings.
  - There is a low-pitched click from the control board area when the door opens or shuts.
18. Install the joining kit grill.



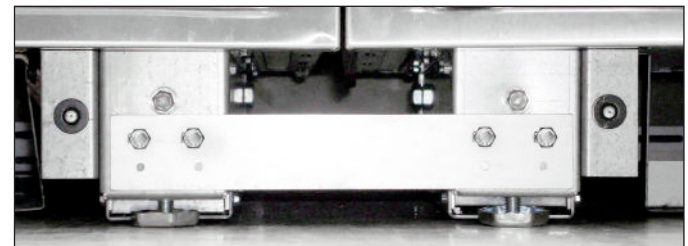
**FIG. 15.** Verify the appliance fronts are flush. Adjust the units accordingly.



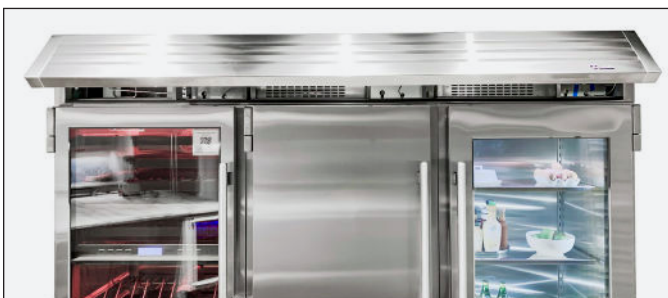
**FIG. 16.** Verify the gap(s) between appliances is (are) even throughout.



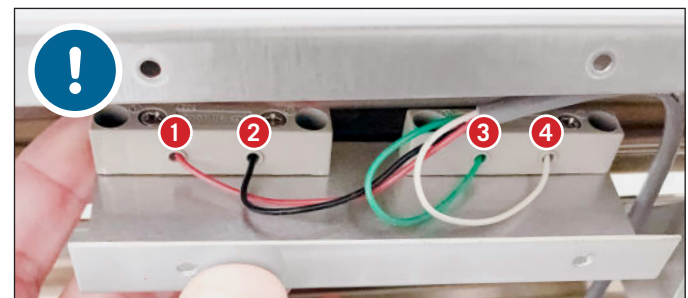
**FIG. 17.** Return the magnet bracket screws to their original locations.



**FIG. 18.** Installed joining bracket.



**FIG. 19.** Installed joining rainshield.



**FIG. 20.** Connect the reed switches with the original wire configurations.



SHELF ADJUSTMENT

REFRIGERATOR STORAGE

FREEZER STORAGE

OPTIONAL ICEMAKER



PRESERVE THE MOMENT®

SHELF ADJUSTMENT

Shelving comes taped in place to prevent moving during shipping. See fig. 1.

This appliance meets the IEC shelf weight capacity of 47 lb/ft<sup>2</sup> (230 kg/m<sup>2</sup>).

**NOTE: THE SIDE MICROFILM PREVENTS COSMETIC DAMAGE WHEN ADJUSTING SHELVING. DO NOT REMOVE THE SIDE MICROFILM UNTIL ALL SHELVES ARE POSITIONED AS DESIRED. SEE FIG. 2.**

**NOTE: YOUR APPLIANCE MAY NOT MATCH THE FIGURES SHOWN.**



FIG. 1. Packaged shelving.



FIG. 2. Do not remove the microfilm until all the shelves are positioned.

SHELF ADJUSTMENT (CONT.)

**PROCEDURE**

1. Remove the shelf shipping clips. See fig. 3.
2. Remove the shipping tape from the shelf.

**NOTE: TRUE RECOMMENDS PULLING THE TAPE FROM THE TOP.**

3. Remove the shelf. See fig. 4.
4. Install the shelf at the desired height.

**NOTE: BE SURE THE SHELF IS FULLY SEATED. SEE FIG. 5. PUSH THE BOTTOM TABS INWARD IF THE SHELF DOES NOT SIT FLAT. SEE FIG. 6.**

5. Repeat steps 2-4 for the remaining shelves.
6. Remove the side microfilm. See fig. 7.

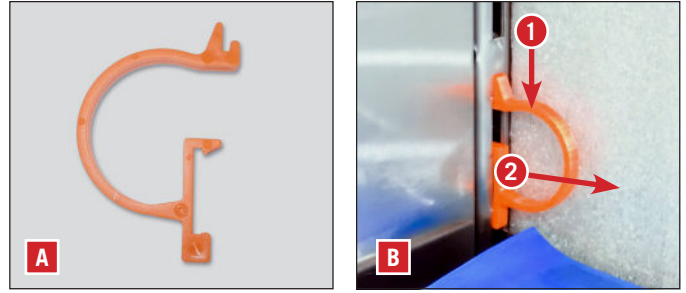


FIG. 3. Remove the shelf shipping clip (A) from the shelf standard (B).

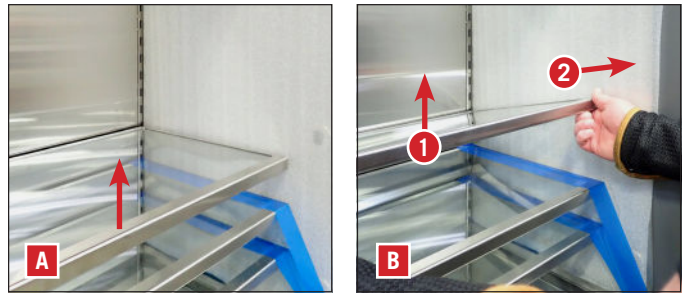


FIG. 4. Lift the shelf front up (A). Then, lift the shelf back and pull forward (B).

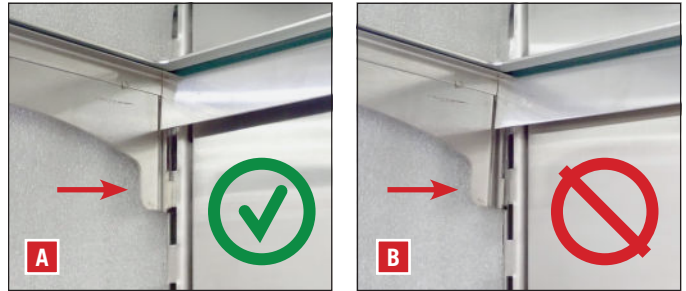


FIG. 5. Underside view. Left side shown.  
**A: CORRECT;** Bottom tab is fully seated in the shelf standard.  
**B: INCORRECT;** Bottom tab is not seated in the shelf standard.



FIG. 6. Push the bottom tab inward.



FIG. 7. Completed shelf installation.

REFRIGERATOR STORAGE

**GLASS SHELVES**

Position the shelves at the desired height. See fig. 1.  
See “Shelf Adjustment” (pg. 42).

**DOOR BINS (SOLID DOORS ONLY)**



**CAUTION! INCORRECTLY INSTALLED DOOR BINS MAY RESULT IN APPLIANCE DAMAGE OR PERSONAL INJURY.**

Door bins ship in the refrigerator’s bottom drawer.  
See fig. 2.

**INSTALLATION**

1. Hook a door bin into the door slots. See fig. 3.
2. Push the bin down to ensure the tabs are fully engaged in the slots. See fig. 4.

**REMOVAL**

Lift the door bin up and away from the door.



FIG. 1. Installed Shelving.



FIG. 2. Packaged door bins.

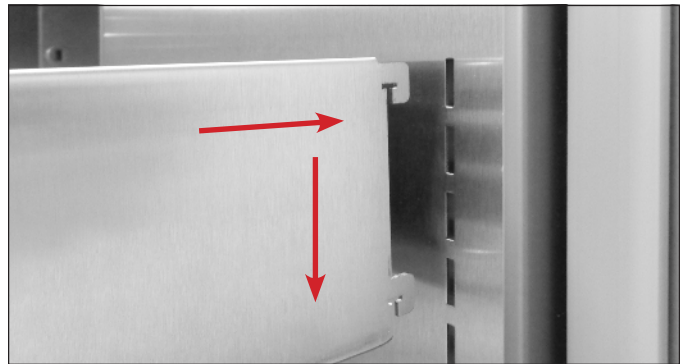


FIG. 3. Hook the door bins into the door slots.



FIG. 4. Final door bin installation.

REFRIGERATOR STORAGE (CONT.)

**DRAWERS**

Your True appliance ships with the drawers installed.

**REMOVAL**

1. Pull the drawer fully forward.
2. Remove the drawer slide screws. See fig. 5.
3. Lift the drawer from the unit.

**INSTALLATION**

1. Pull the drawer slides fully forward.
2. Position the drawer on the drawer slides and carefully push the drawer towards the back of the unit.

**NOTE: BE SURE THE DRAWER SITS UNDER THE SLIDES' REAR TABS. SEE FIG. 6.**

3. Reinstall the drawer slide screws.



FIG. 5. Drawer slide screw locations..

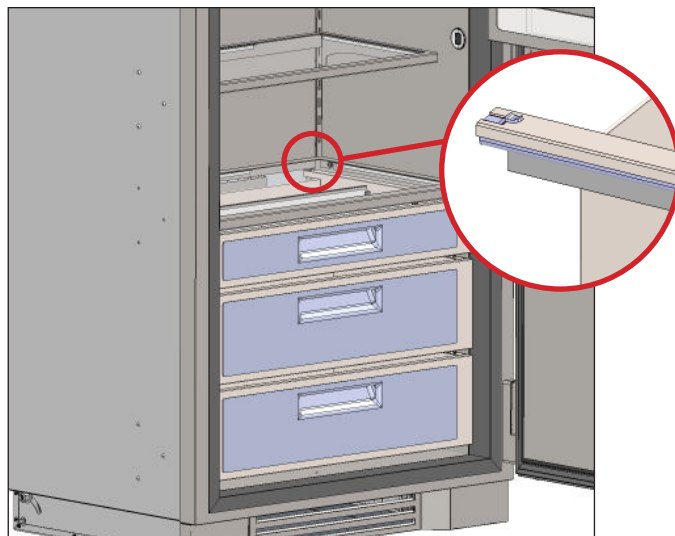


FIG. 6. Be sure the drawer sits under the rear tabs..

## FREEZER STORAGE

### WIRE SHELVES

Position the shelving at the desired heights before use. See fig. 1. See “Shelf Adjustment” (pg. 42).

### WIRE BASKETS

Your True appliance ships with the drawers installed.

### REMOVAL

1. Pull the drawer fully forward.
2. Remove the drawer slide screws. See fig. 2.
3. Lift the drawer from the unit.

### INSTALLATION

1. Pull the drawer slides fully forward.
2. Position the drawer on the drawer slides and carefully push the drawer towards the back of the unit.

**NOTE: BE SURE THE DRAWER SITS UNDER THE SLIDES’ REAR TABS. SEE FIG. 3.**

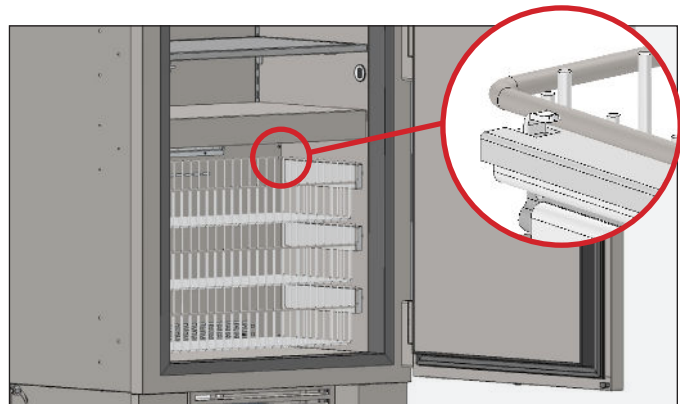
3. Reinstall the drawer slide screws.



**FIG. 1.** Installed Shelving.



**FIG. 2.** Drawer slide screw locations.



**FIG. 3.** Be sure the drawer sits under the rear tabs

## OPTIONAL ICEMAKER

The icemaker (see fig. 1) is below the lowest shelf and on the left in the freezer section. For water supply requirements, please see “Water Supply Requirements” (pg. 21). To turn the icemaker on, please see “Ice Menu Navigation” (pg. 57).

- See “Water Filter Installation” (pg. 22) for installation instructions.
- After the initial startup, **discard the first full bin of ice (48 hours)**. This ice may contain impurities from new plumbing connections.
- Do not remove the ice bin, even if the icemaker is not in use. The ice bin prevents stacked product from damaging the icemaker.
- If ice is not used regularly, it may fuse together. To avoid this, discard the ice and allow the ice maker to replenish.

### ICE SCOOP

The ice scoop ships inside the ice bin. See fig. 2.

### MAX ICE

When the max ice is turned on, the unit maximizes ice production for 24 hours. For information on turning Max Ice on or off, please see “Ice Menu Navigation” (pg. 57).

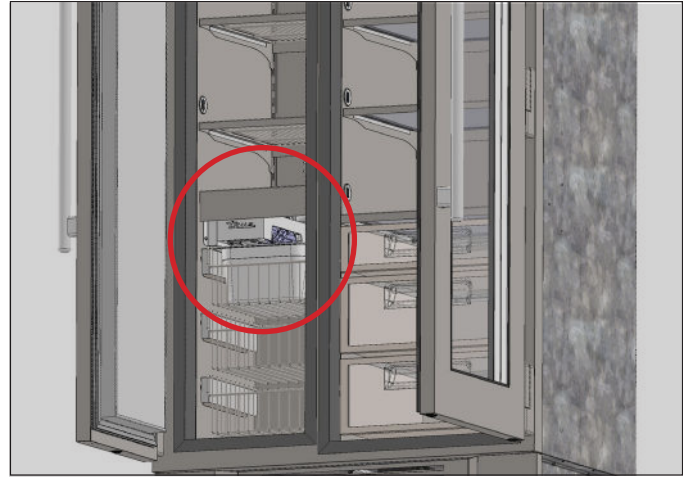


FIG. 1. The icemaker.



FIG. 2. The ice scoop ships inside the ice bin.



**NOTE: AN ELECTRONIC CONTROL DISPLAY MAY REFLECT THE FLUCTUATING TEMPERATURES OF THE REFRIGERATION CYCLE, NOT THE PRODUCT TEMPERATURE. THE MOST ACCURATE METHOD TO DETERMINE AN APPLIANCE'S OPERATION IS TO VERIFY THE PRODUCT TEMPERATURE.**

TURN ON/OFF

TEMPERATURE ADJUSTMENT

MODE NAVIGATION

SHOWROOM MODE

ACCENT LIGHTING SYSTEM

ALARM NAVIGATION

NOTIFICATION ALERTS

ICE MENU NAVIGATION (OPTIONAL ICEMAKER ONLY)



PRESERVE THE MOMENT®

TURN ON/OFF

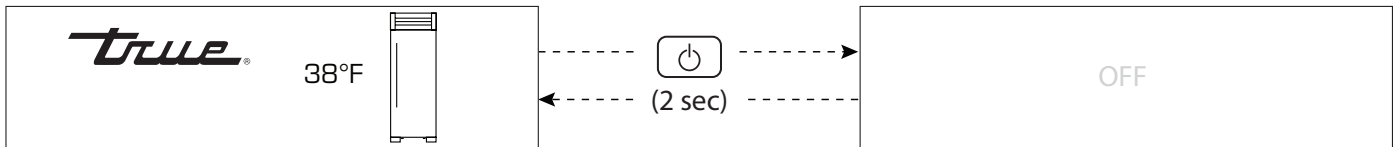
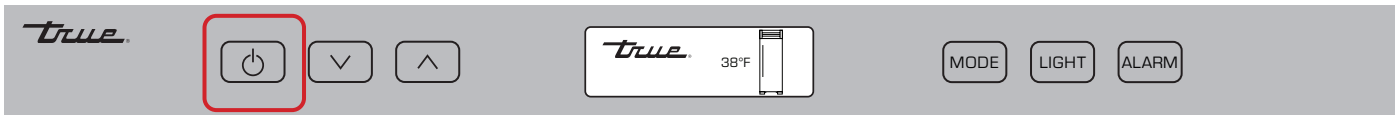
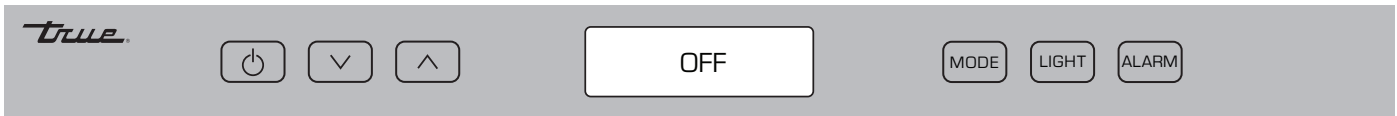
All units are shipped in **ON** mode. During the initial startup, the unit runs a short power up diagnostic followed by a single audible beep. The lights turn on and temperature readings appear on the display.





**WARNING!** Electrical shock or burn hazard. Turning the unit off with the power button does not remove the power supply from the control. Unplug the unit or turn off the power supply.

**PLEASE NOTE THAT THOUGH THE DISPLAY CAN SHOW EITHER FAHRENHEIT OR CELSIUS, IN MOST CASES THE FIGURES SHOW FAHRENHEIT.**

HOME SCREEN ON / OFF



## TEMPERATURE ADJUSTMENT

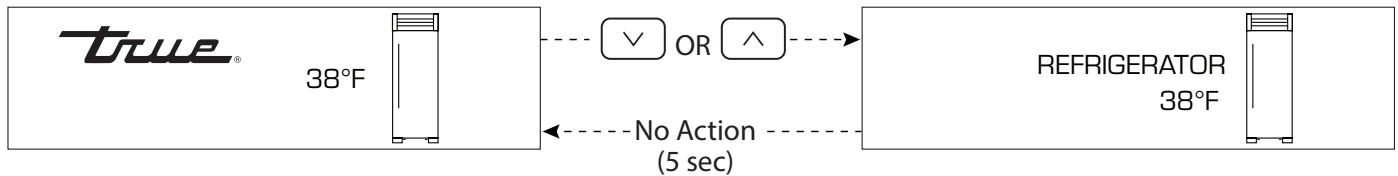
1. Press down  or up  until the display shows the desired set point.

**NOTE: A BUTTON PRESS CHANGES THE SET POINT BY 1° AND IS ACCOMPANIED BY AN AUDIBLE BEEP.**

2. When the display shows the desired set point, leave the display inactive until the display shows the Home screen.

	Default Set Point	Temperature Range
Refrigerator Zone	38°F (3°C)	34 - 42°F (1 - 6°C)
Freezer Zone	-2°F (-18.8°C)	-4 - 4°F (-20 - -16°C)

## SET POINT NAVIGATION



**REFRIGERATOR 38°F / FREEZER 0°F**

MODE NAVIGATION

This page explains the following models:

- HOLIDAY Mode
- Temperature Unit Selection Mode
- VACATION MODE

HOLIDAY MODE

**NOTE: IN HOLIDAY MODE, SET POINTS CANNOT CHANGE AND MANUAL DEFROST CANNOT INITIATE.**

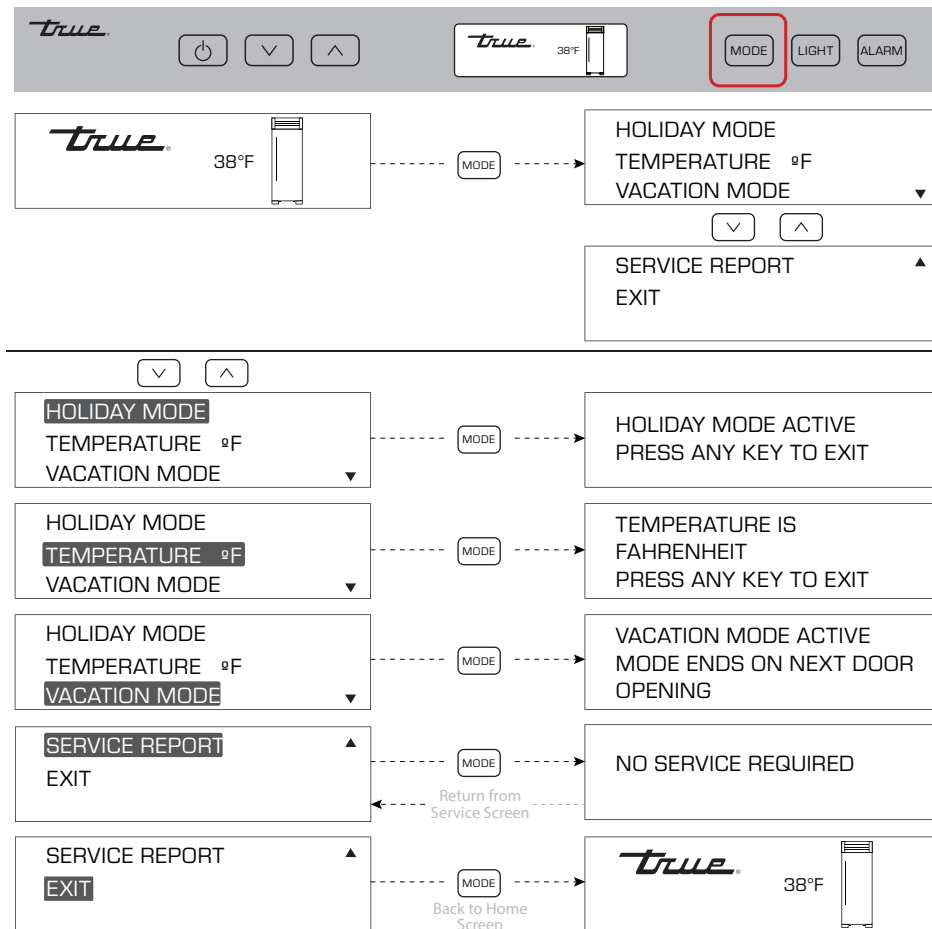
The following holds TRUE in accordance with Star-K requirements:

- Freezer defrosting function switch to a fixed time-based sequence.
- The compartment/zone thermistors detect cut-in and cut-out temperatures (determining factor to start/stop cooling), but there is a random 16-21 second delay before cooling begins/ends.
- The display shows HOLIDAY MODE ACTIVE when the door is closed.

VACATION MODE

Vacation mode is operation optimized for energy savings.

MODE NAVIGATION





## SHOWROOM MODE



**SHOWROOM MODE DISABLES THE REFRIGERATION SYSTEM.** The appliance will not cool or defrost; however, the lighting system and door ajar alarm system function, and the display shows the set points.

**NOTE: ALL MENUS ARE DISPLAY ONLY. ANY SETTING CHANGES WILL NOT AFFECT THE REFRIGERATION SYSTEM'S OPERATION UNTIL SHOWROOM MODE IS OFF.**

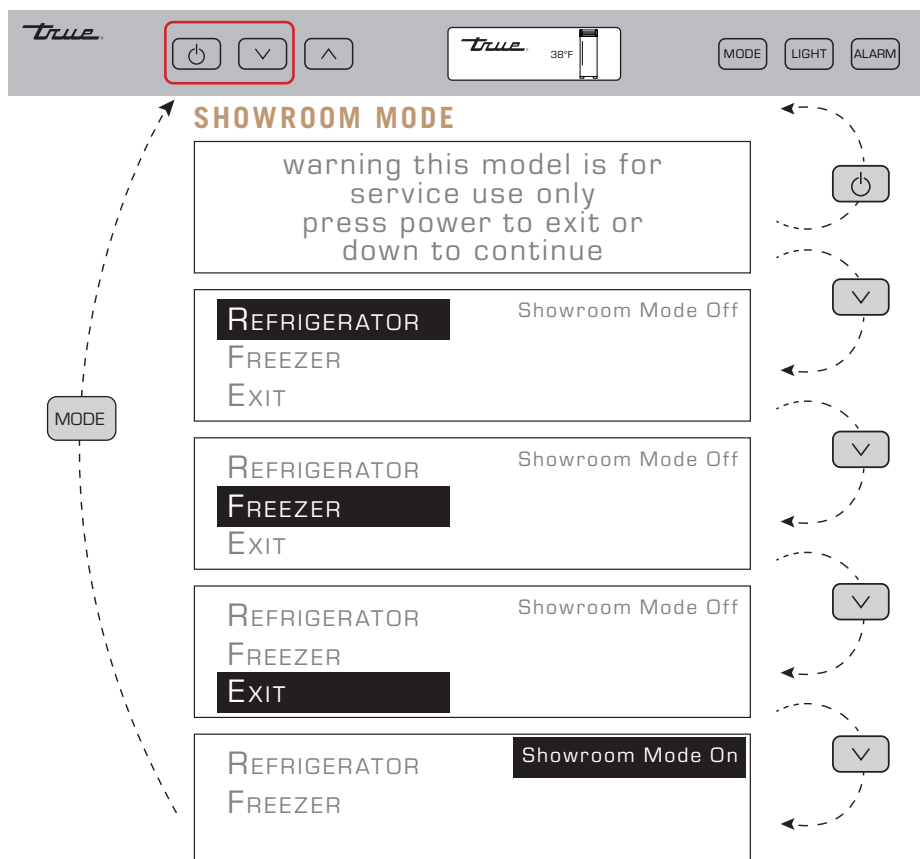
### SHOWROOM MODE ON

1. Press both power  and down  until the display shows the service warning.
2. Press down.
3. Press down until SHOWROOM MODE OFF is selected.
4. With SHOWROOM MODE OFF selected, press MODE.

### SHOWROOM MODE OFF

1. Press both power  and down  until the display shows the service warning.
2. Press down.
3. Press down until SHOWROOM MODE ON is selected.
4. With SHOWROOM MODE ON selected, press MODE.

### HOME SCREEN



ACCENT LIGHTING SYSTEM

All models are equipped with an accent lighting system in the refrigerator/freezer compartment(s).

PROCEDURE

1. Press LIGHT.
2. With the arrow buttons, navigate to the desired menu option.
3. With the desired option selected, press LIGHT to toggle between options.

LIGHT MODE: Interior lights

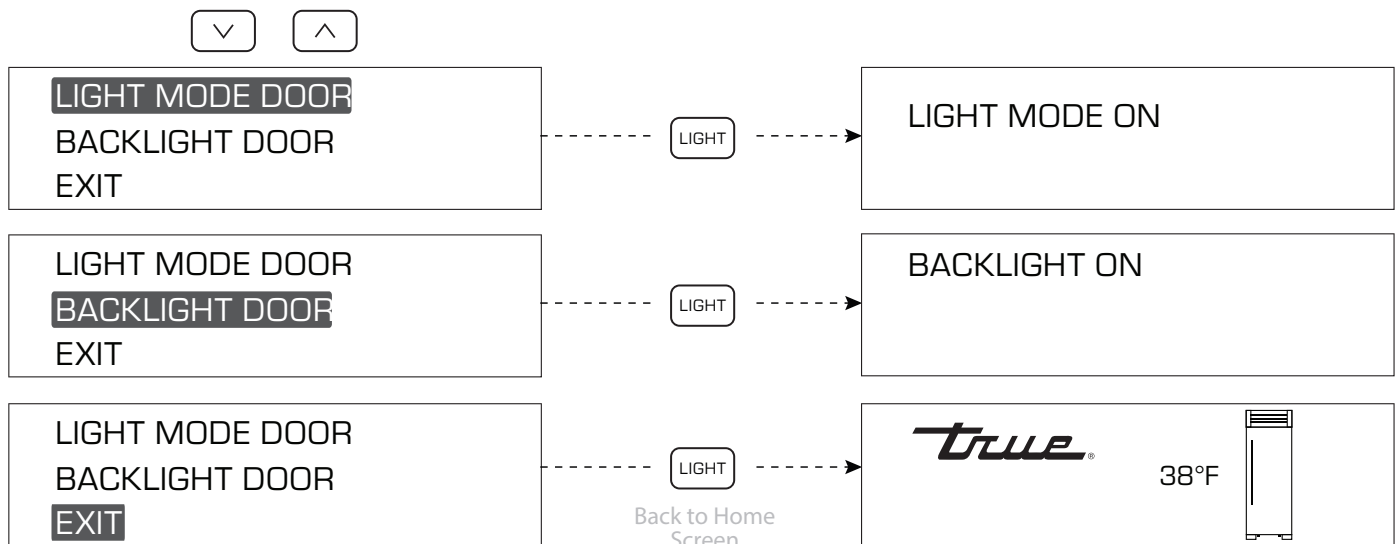
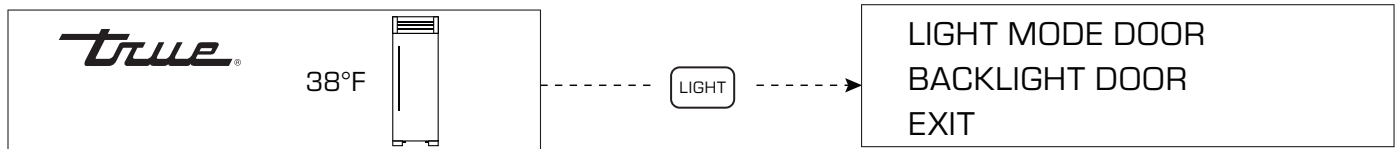
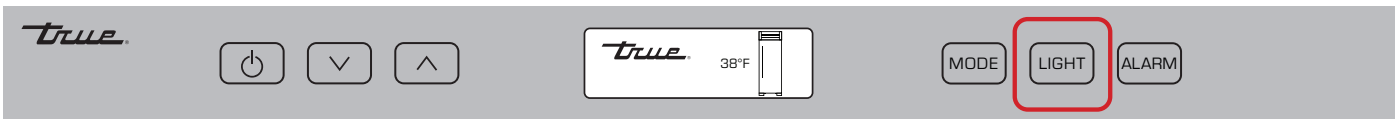
BACKLIGHT: Display

ON mode: Stays illuminated when the door is closed.

**NOTE: WHEN IN ON MODE, LIGHTS WILL NOT FADE-UP WHEN THE DOOR OPENS.**

DOOR mode: Only illuminates when the door is open.

LIGHT NAVIGATION



ALARM NAVIGATION (DOOR AJAR ALARM FEATURE ON/OFF)

All models are equipped with a door ajar alarm. The door ajar alarm beeps continuously when the door is left open for more than 5 minutes. During a door ajar alarm, the display shows the notification icons.

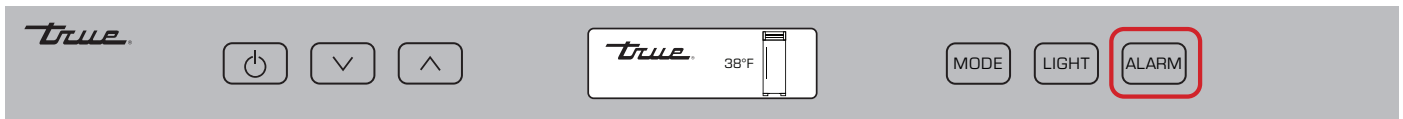
**ENABLE**


Press ALARM. The display will show DOOR ALARM IS ON.

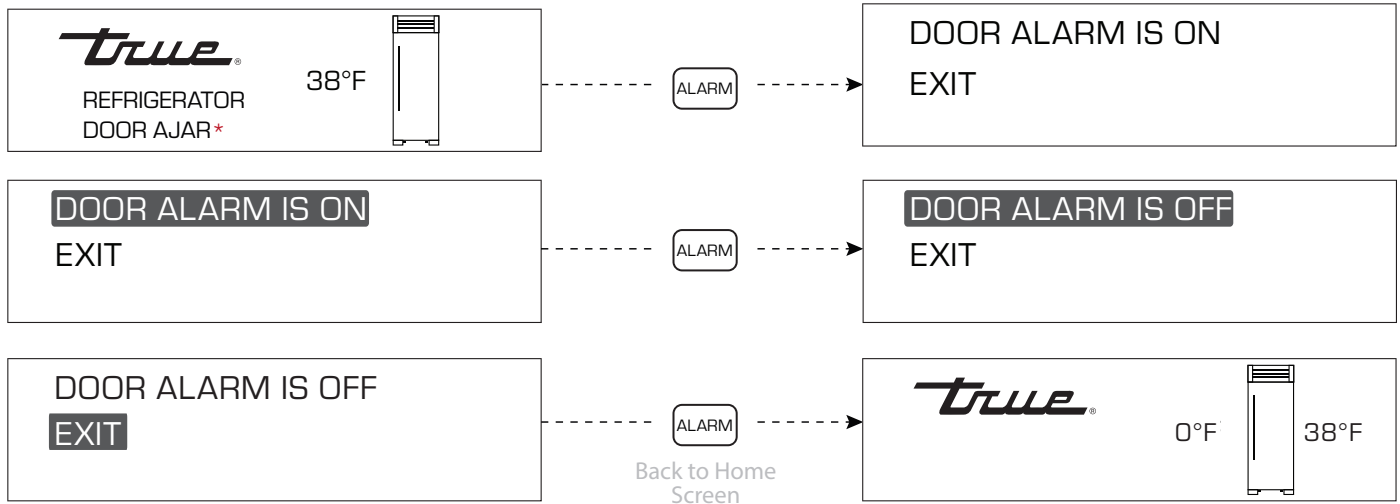
**DISABLE**

Press ALARM. The display will show DOOR ALARM IS OFF.

ALARM NAVIGATION



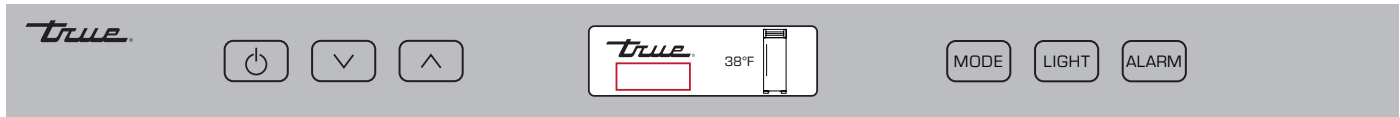
\* TO STOP ALARM BUZZER PRESS 



## NOTIFICATIONS ALERTS

The following notification alerts may show on the display if the appliance needs attention.

### NOTIFICATION ALERTS



- DEFROST
- HIGH TEMP
- SHOWROOM MODE
- COMMUNICATION ERROR
- SERVICE REQUIRED
- DOOR ALARM

ICE MENU NAVIGATION (OPTIONAL ICEMAKER ONLY)

To enter the Ice Menu, press ICE on the user interface. Use the UP and DOWN arrows to navigate between the menu options and use ICE to make a selection. See the diagram below.

The Ice Menu contains three operations.

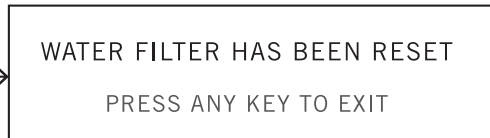
- Ice Maker: Toggles the icemaker between on/off.
- Max Ice: Maximizes ice production for 24 hours.
- Water Filter Reset: Immediately resets the countdown to change the water filter.



To change selection (dark highlight/white text).



To toggle ICE MAKER and MAX ICE between ON and OFF. Return to home if EXIT is highlighted.



ANY KEY

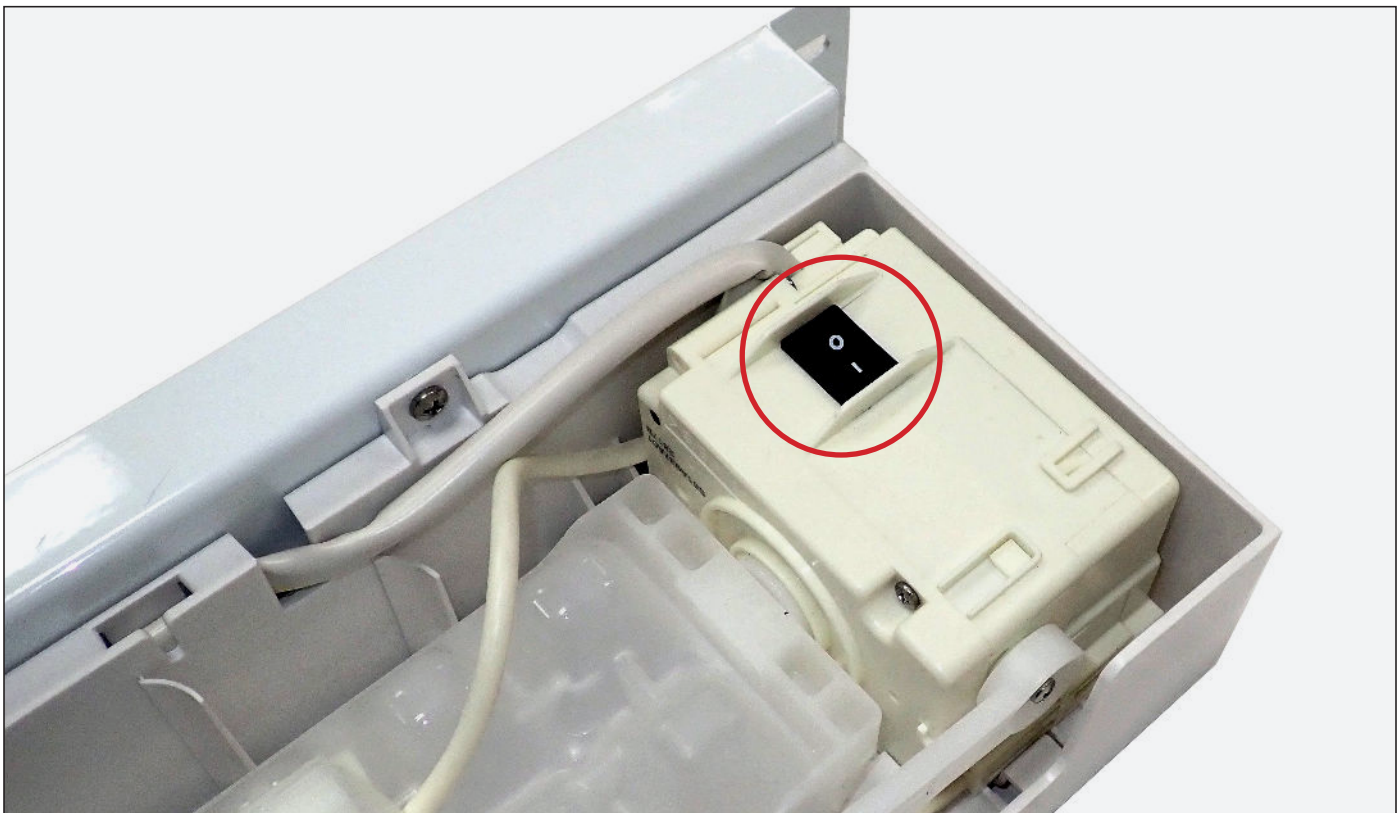
HOME SCREEN



ICE TROUBLESHOOTING

Please see the table below to troubleshoot some common problems with ice production. If your issue is not resolved, please contact True Residential Technical Support at **844-746-9423** or **TrueResidentialService@TrueMfg.com**.

Icemaker Troubleshooting	
<b>No ice</b>	<ul style="list-style-type: none"> <li>• Verify the water filter is installed if not bypassed due to a water filtration system, RO, or water softener.</li> <li>• Verify water is being supplied to the unit</li> <li>• Verify the icemaker is on at the display and on the icemaker itself (see fig. 1) and has been running for at least 24 hours</li> <li>• Verify the ice bin is positioned correctly</li> <li>• Verify the freezer temperature is near 0°F (-17.8°C)</li> <li>• Verify the water filter has been replaced within the last 12 months and has been installed correctly</li> </ul>
<b>Black flecks in the ice cubes</b>	Stop use and contact True Residential Technical Support
<b>Bad taste</b>	<ul style="list-style-type: none"> <li>• Defrost the freezer and clean with soap and water</li> <li>• Place coffee grounds or charcoal briquettes in the freezer to absorb odor</li> </ul>
<b>Hollow cubes</b>	Clean the condenser coil. Contact True Residential Technical Support if the issue is unresolved.



**FIG. 1.** Off/on switch on the bottom of the icemaker near the TRUE logo.

**NOTE: AN ELECTRONIC CONTROL DISPLAY MAY REFLECT THE FLUCTUATING TEMPERATURES OF THE REFRIGERATION CYCLE, NOT THE PRODUCT TEMPERATURE. THE MOST ACCURATE METHOD TO DETERMINE AN APPLIANCE'S OPERATION IS TO VERIFY THE PRODUCT TEMPERATURE.**

DUAL ZONE TURN ON/OFF

DUAL ZONE TEMPERATURE ADJUSTMENT

DUAL ZONE MODE NAVIGATION

DUAL ZONE SHOWROOM MODE

DUAL ZONE ACCENT LIGHTING SYSTEM

DUAL ZONE ALARM NAVIGATION

DUAL ZONE NOTIFICATION ALERTS



PRESERVE THE MOMENT®

## DUAL ZONE OPERATION

### TURN ON/OFF

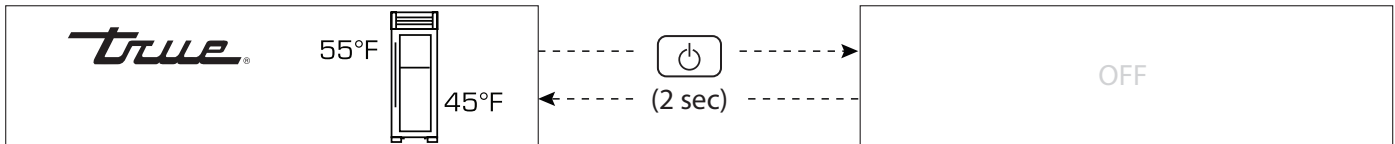
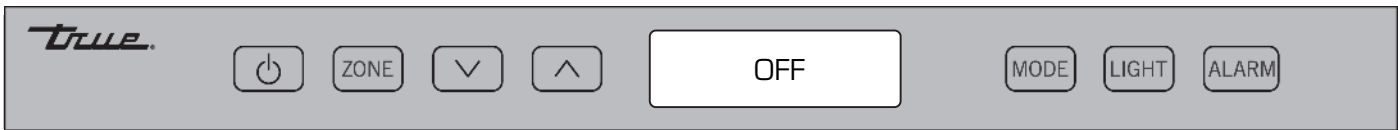
All units are shipped in **ON** mode. During the initial startup, the unit runs a short power up diagnostic followed by a single audible beep. The lights turn on and temperature readings appear on the display.



**WARNING!** Electrical shock or burn hazard. Turning the unit off with the power button does not remove the power supply from the control. Unplug the unit or turn off the power supply.



**PLEASE NOTE THAT THOUGH THE DISPLAY CAN SHOW EITHER FAHRENHEIT OR CELSIUS, IN MOST CASES THE FIGURES SHOW FAHRENHEIT.**

### HOME SCREEN ON / OFF



## DUAL ZONE OPERATION

### TEMPERATURE ADJUSTMENT

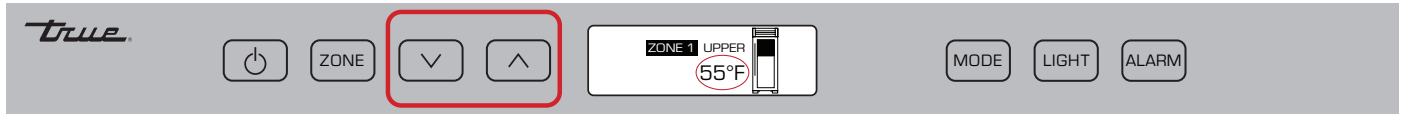
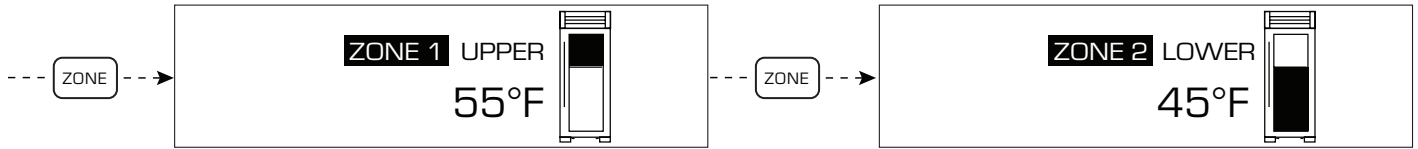
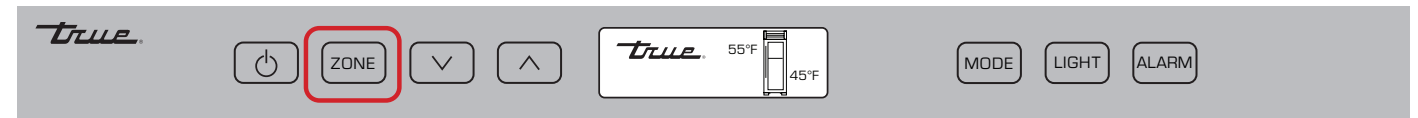
1. Press ZONE until the display selects the desired zone.
2. Press down  or up  until the display shows the desired set point.

	Default Set Point	Temperature Range
Upper Zone	55°F (12.7°C)	40 - 65°F (4.4 - 18.3°C)
Lower Zone	45°F (7.2°C)	40 - 65°F (4.4 - 18.3°C)

**NOTE: A BUTTON PRESS CHANGES THE SET POINT BY 1° AND IS ACCOMPANIED BY AN AUDIBLE BEEP.**

3. When the display shows the desired set point, press ZONE or leave the display inactive until the display shows the Home screen.

### SET POINT NAVIGATION



**UPPER ZONE 55°F / LOWER ZONE 45°F**

## MODE NAVIGATION

This page explains the following models:

- HOLIDAY Mode
- Temperature Unit Selection Mode
- VACATION MODE

### HOLIDAY MODE

**NOTE: IN HOLIDAY MODE, SET POINTS CANNOT CHANGE AND MANUAL DEFROST CANNOT INITIATE.**

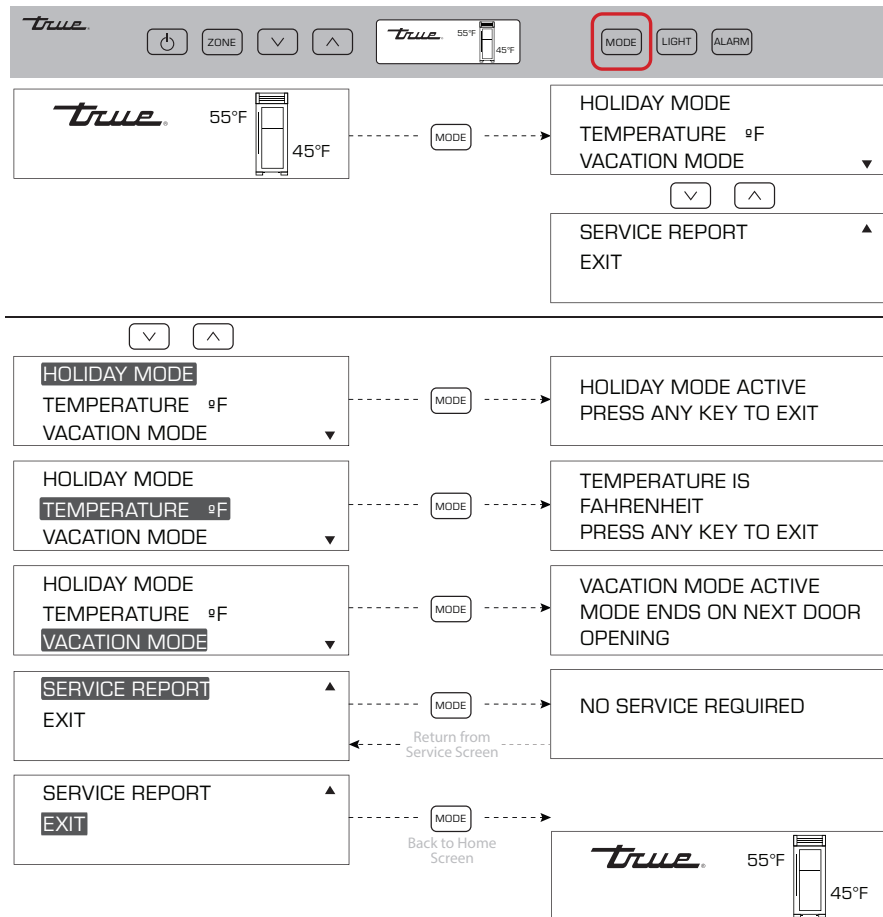
The following holds TRUE in accordance with Star-K requirements:

- Freezer defrosting function switch to a fixed time-based sequence.
- The compartment/zone thermistors detect cut-in and cut-out temperatures (determining factor to start/stop cooling), but there is a random 16-21 second delay before cooling begins/ends.
- The display shows HOLIDAY MODE ACTIVE when the door is closed.

### VACATION MODE

Vacation mode is operation optimized for energy savings.

### MODE NAVIGATION





## DUAL ZONE OPERATION

### SHOWROOM MODE



**SHOWROOM MODE DISABLES THE REFRIGERATION SYSTEM.** The appliance will not cool or defrost; however, the lighting system and door ajar alarm system function, and the display shows the set points.

**NOTE: ALL MENUS ARE DISPLAY ONLY. ANY SETTING CHANGES WILL NOT AFFECT THE REFRIGERATION SYSTEM'S OPERATION UNTIL SHOWROOM MODE IS OFF.**

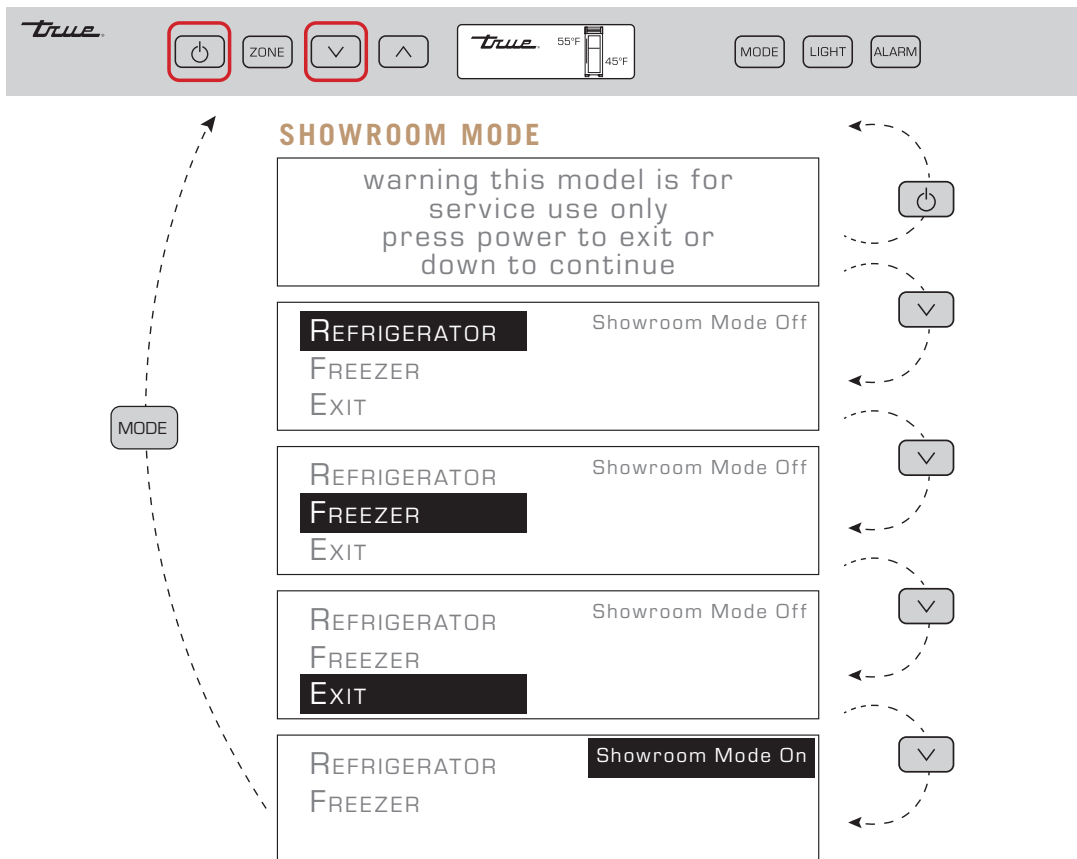
#### SHOWROOM MODE ON

1. Press both power  and down  until the display shows the service warning.
2. Press down.
3. Press down until SHOWROOM MODE OFF is selected.
4. With SHOWROOM MODE OFF selected, press MODE.

#### SHOWROOM MODE OFF

1. Press both power  and down  until the display shows the service warning.
2. Press down.
3. Press down until SHOWROOM MODE ON is selected.
4. With SHOWROOM MODE ON selected, press MODE.

### HOME SCREEN



## DUAL ZONE OPERATION

### ACCENT LIGHTING SYSTEM

All models are equipped with an accent lighting system in the refrigerator/freezer compartment(s).

#### PROCEDURE

1. Press LIGHT.
2. With the arrow buttons, navigate to the desired menu option.
3. With the desired option selected, press LIGHT to toggle between options.

LIGHT MODE: Interior lights

BACKLIGHT: Display

ON mode: Stays illuminated when the door is closed.

**NOTE: WHEN IN ON MODE, LIGHTS WILL NOT FADE-UP WHEN THE DOOR OPENS.**

DOOR mode: Only illuminates when the door is open.

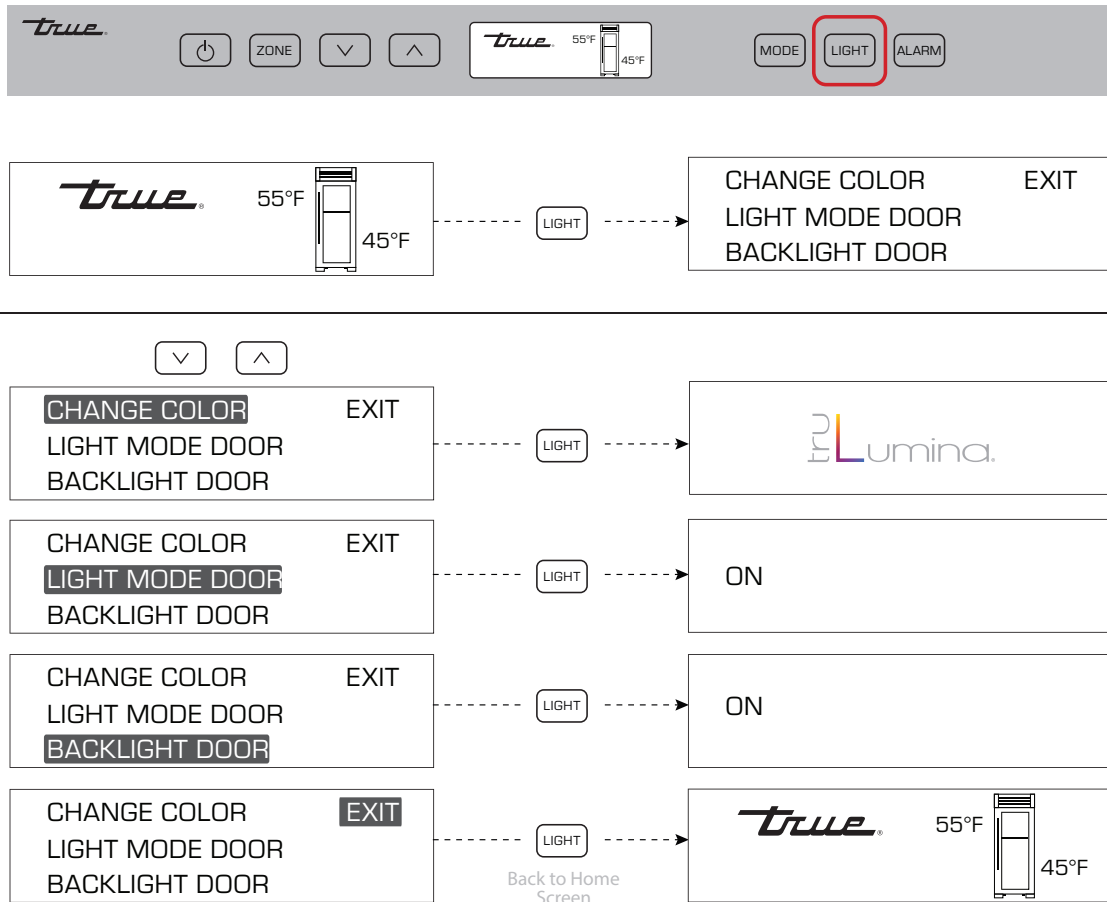
### CHANGE TRULUMINA® LIGHT COLOR

#### PROCEDURE

1. Press LIGHT until the display shows CHANGE COLOR.
2. With the display showing CHANGE COLOR, press and release LIGHT until the light turns the desired color.



#### LIGHT NAVIGATION



## DUAL ZONE OPERATION

### ALARM NAVIGATION (DOOR AJAR ALARM FEATURE ON/OFF)

All models are equipped with a door ajar alarm. The door ajar alarm beeps continuously when the door is left open for more than 5 minutes. During a door ajar alarm, the display shows the notification icons.

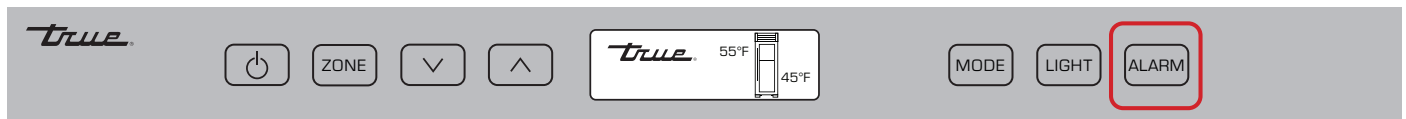
#### ENABLE

Press ALARM. The display will show DOOR ALARM IS ON.

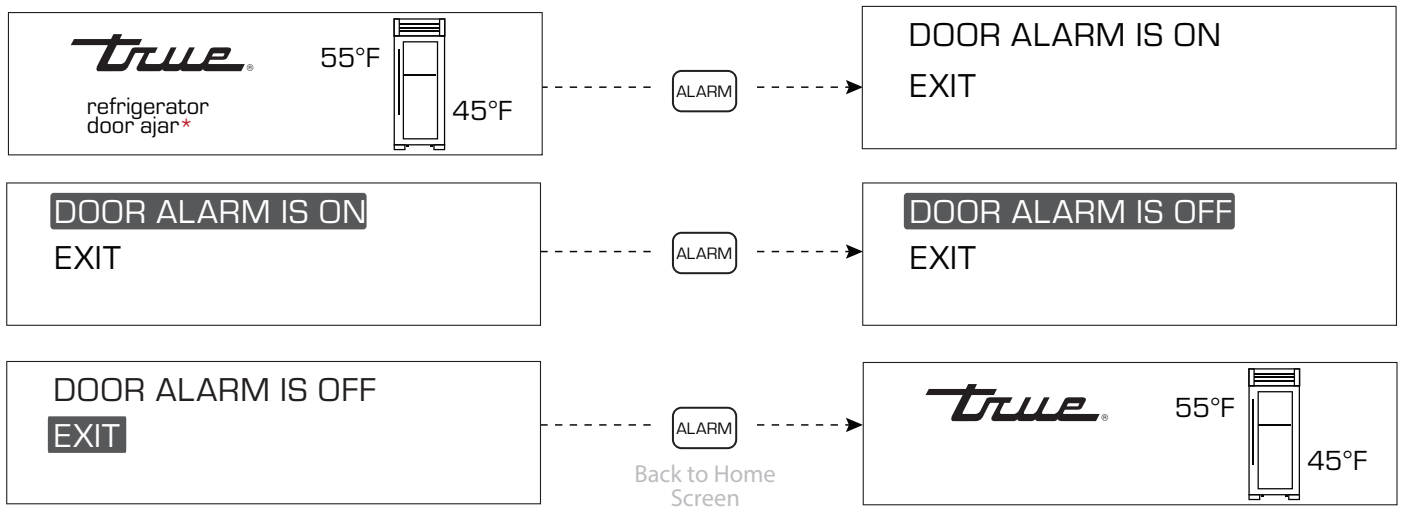
#### DISABLE

Press ALARM. The display will show DOOR ALARM IS OFF.

### ALARM NAVIGATION



\*TO STOP ALARM BUZZER PRESS 

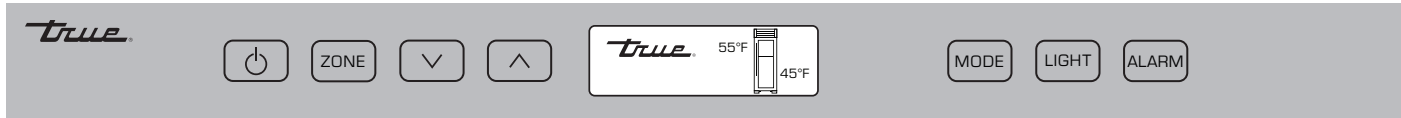


## DUAL ZONE OPERATION

### NOTIFICATIONS ALERTS

The following notification alerts may show on the display if the appliance needs attention.

#### NOTIFICATION ALERTS



- DEFROST
- HIGH TEMP
- SHOWROOM MODE
- COMMUNICATION ERROR
- SERVICE REQUIRED
- DOOR ALARM
- ZONE 1 UPPER HIGH TEMP
- ZONE 2 LOWER HIGH TEMP

INTERIOR ACCESSORIES

DOOR REMOVAL

CONDENSER COIL CLEANING

CONDENSATION

HANDLE TIGHTENING

WATER FILTER REPLACEMENT

APPLIANCE CARE & CLEANING

COMPONENT REPLACEMENT

SERIAL LABEL LOCATION

CONTACT US

WARRANTY



PRESERVE THE MOMENT®

## INTERIOR ACCESSORIES

All removable interior accessories are dishwasher safe.

## DOOR REMOVAL



**WARNING!** Sharp edges. Take care when installing, cleaning, servicing, and maintaining the equipment.



**WARNING!** Crush or cut hazard! Doors are heavy. Be prepared to support the door's weight. Do not lift or support the door by the handle.

**NOTE: IF THE APPLIANCE IS EQUIPPED WITH A 90° DOORSTOP, OPEN/HOLD THE DOOR 45° FROM THE OPENING.**

### REMOVAL

1. Open the rainshield. See fig. 1.
2. Remove the hinge covers. See fig. 2.
3. Open the door 90°.
4. Carefully lift the door from the hinge bases. See fig 3.

**NOTE: DO NOT LIFT THE DOOR BY THE HANDLE.**

### INSTALLATION

1. Open the rainshield. See fig. 1.
2. Hold the door 90° to the door opening. See fig. 3.

**NOTE: DO NOT LIFT THE DOOR BY THE HANDLE.**

3. Align the hinge posts with the hinge bases. Then, lower the door into place.
4. Reinstall the hinge covers.
5. Close the rainshield.

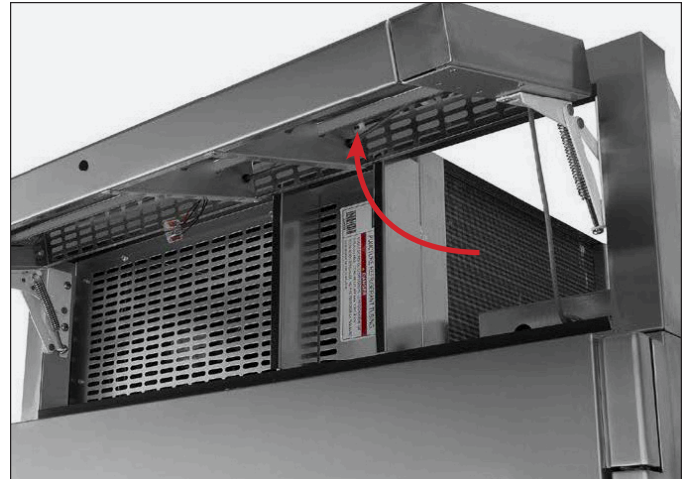


FIG. 1. Open the rainshield.



FIG. 2. Remove the hinge covers.



FIG. 3. Remove the door.

## CONDENSER COIL CLEANING

Keeping the condenser coil clean minimizes required servicing and lowers electrical cost. Warranty does not cover cleaning the condenser coil.



**WARNING!** Electrical shock or burn hazard. Unplug the unit or turn off the power supply before proceeding.

**DO NOT** clean appliance with a pressure washer or hose.



**CAUTION!** Risk of eye injury from debris. Eye protection is recommended.



**CAUTION!** Coil fins are sharp. Gloves are recommended.

### REQUIRED TOOLS

- Stiff-bristled brush
- Vacuum Cleaner
- Gloves (recommended)

### PROCEDURE

1. Open the rainshield. See fig. 1.
2. With a stiff-bristled brush, carefully clean accumulated dirt from the condenser coil fins. See fig. 2.

**NOTE: NEVER BRUSH ACROSS THE COIL FINS.**

3. Carefully vacuum any dirt around the condensing unit area.
4. Close the rainshield.

## CONDENSATION

Leaving the doors and/or drawers open for long periods of time or running a unit with little/no product inside may cause excessive condensation.

## HANDLE TIGHTENING

Tighten the handle base to the door with a 3/32" Allen wrench.



FIG. 1. Opened rainshield.

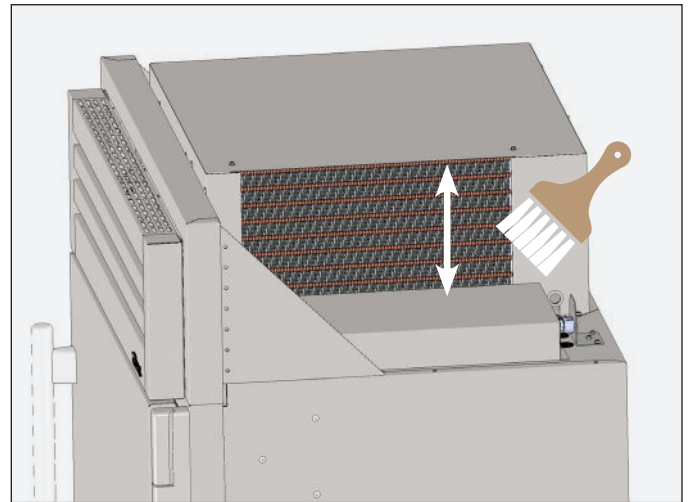


FIG. 2. Never brush across coil fins.

WATER FILTER REPLACEMENT (OPTIONAL ICEMAKER ONLY)



**WARNING!** Sharp edges! Take care when moving, installing, cleaning, servicing, and maintaining the appliance to avoid cuts. Be sure to take care when reaching under the appliance or handling metal components. Gloves recommended.



**WARNING! CHOKING HAZARD!** Small parts. Keep away from children under 8 years.



**NOTE: BEFORE CONSUMING ICE, DISCARD THE FIRST FULL BIN OF ICE (48 HOURS). THIS FLUSHES THE SYSTEM OF IMPURITIES.**

The water filter has a life expectancy of 300 gal (1,136 L) or six months. When the water filter reaches the end of its life, the control display shows **WATER FILTER**.

To order a replacement water filter, go to: [store.trueresidential.com/collections/maintenance-1/products/full-size-models-replacement-water-filter](https://store.trueresidential.com/collections/maintenance-1/products/full-size-models-replacement-water-filter) or contact our parts department at **844-849-6226** or [TrueResidentialParts@TrueMfg.com](mailto:TrueResidentialParts@TrueMfg.com).

**NOTE: WATER FILTER NOTIFICATIONS STILL OCCUR EVEN IF THE WATER FILTER IS NOT INSTALLED.**

**PROCEDURE**

1. Remove the kickplate. See fig. 1.
2. Rotate the water filter counterclockwise (see fig. 2) until the handle arrows (see fig. 3) are vertical. Pull the water filter from the filter receptacle.

**NOTE: RESIDUAL WATER MAY BE PRESENT. CLEAN ANY WATER SPILLS IMMEDIATELY.**

3. Locate the replacement water filter.
4. Remove the outer packaging and water filter cap. See fig. 4.
5. Inspect the water filter head and o-rings for damage. See fig. 5.
6. With the handle arrows vertical, insert the water filter into the filter receptacle. See fig. 6.
7. Rotate the water filter clockwise until the filter stops turning. See fig. 6 and 7.

**NOTE: THE HANDLE ARROWS SHOULD BE SLIGHTLY BEYOND HORIZONTAL. SEE FIG. 7.**

8. Press and hold the test button\* on the icemaker (see fig. 8) for 5-10 sec. Then, check the water filter area for leaks. If leaks are detected, repeat step 7.

**NOTE: BE SURE THE ICE BIN IS IN PLACE TO CATCH THE TRAY CONTENTS.**

9. Reinstall the kickplate.
10. Reset the filter reminder per “Ice Menu Navigation” (pg. 57).
11. Before consuming ice, discard the first full bin of ice (48 hours). This flushes the system of impurities.

\*The test button cycles the icemaker. The ice tray will fill with water. Please note if the button is pressed and held multiple times, the tray will empty into the appliance. Make sure the ice bin is in place to catch the tray contents.

WATER FILTER REPLACEMENT (OPTIONAL ICEMAKER ONLY) (CONT.)

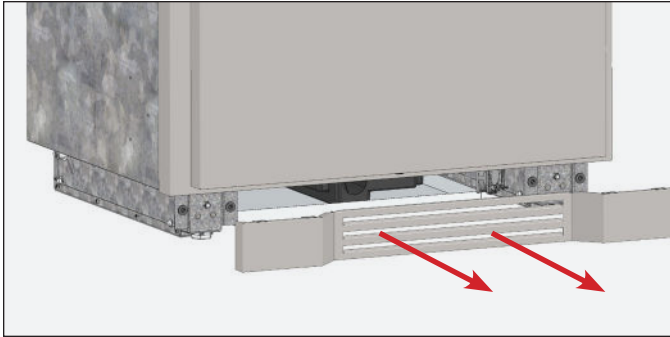


FIG. 1. Pull the kickplate from the cabinet.

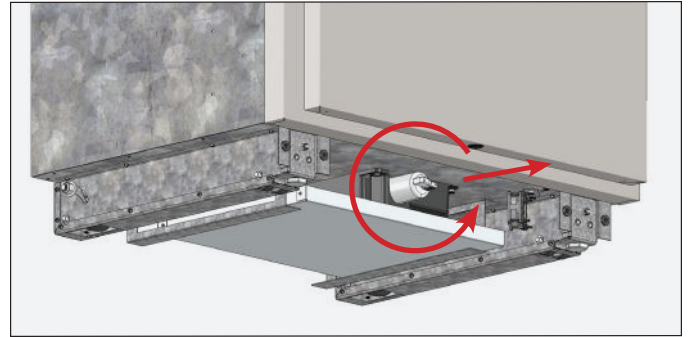


FIG. 2. Rotate the existing water filter counterclockwise.

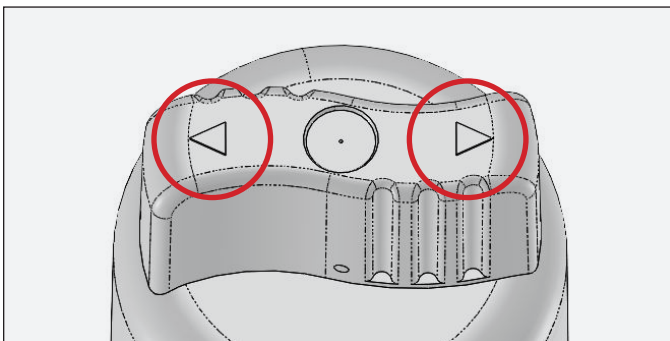


FIG. 3. Water filter handle arrow locations.



FIG. 4. Sanitary cap over water filter head.



FIG. 5. Undamaged water filter head (A) vs. a damaged water filter head (B).

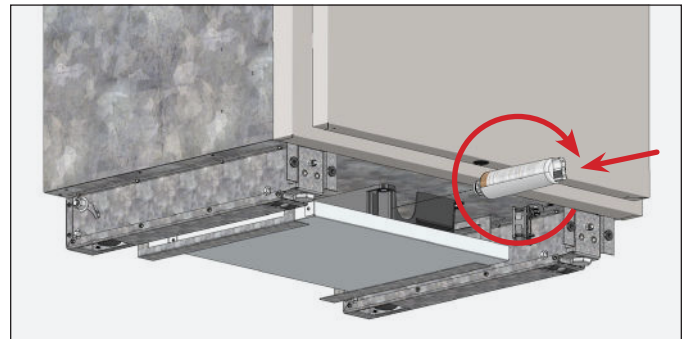


FIG. 6. Insert the water filter and rotate it clockwise.

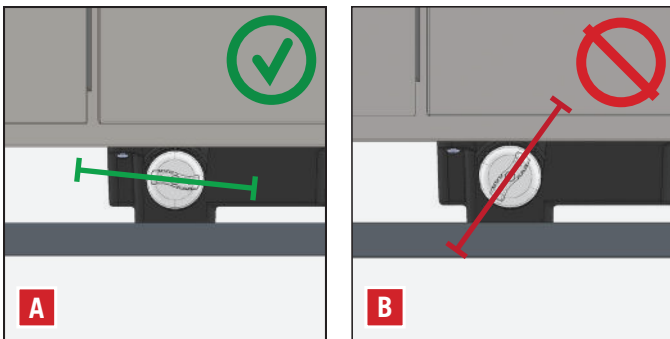


FIG. 7. Correct install (A) vs. incorrect install (B).



FIG. 8. Test button located on underside of icemaker by TRUE logo.

APPLIANCE CARE & CLEANING



**CAUTION: DO NOT USE ANY STEEL WOOL, ABRASIVE OR CHLORINE BASED PRODUCTS TO CLEAN STAINLESS STEEL SURFACES.**

**STAINLESS STEEL OPPONENTS**

There are three basic things which can break down your stainless steel’s passivity layer and allow corrosion to form.

- Scratches from wire brushes, scrapers, and steel pads are just a few examples of items that can be abrasive to stainless steel’s surface.
- Deposits left on your stainless steel can leave spots. You may have hard or soft water depending on what part of the country you live in. Hard water can leave spots. Hard water that is heated can leave deposits if left to sit too long. These deposits can cause the passive layer to break down and rust your stainless steel. All deposits left from food prep or service should be removed as soon as possible.
- Chlorides are present in table salt, food, and water. Household and industrial cleaners are the worst type of chlorides to use.

**STAINLESS STEEL CLEANING AND RESTORATION**

Stainless steel cleaners must be free of phosphates, chlorine, chloride, and ammonia.

TRUE offers environmentally-friendly cleaner and polish through our True Store at <https://store.trueresidential.com/products/stainless-steel-clean-polish-kit>

**CUSTOM PAINTED APPLIANCES AND HARDWARE**

For painted doors and other surfaces, use a mild solution of soap and water with a soft microfiber cloth.

## APPLIANCE CARE & CLEANING

### 8 TIPS TO HELP PREVENT RUST ON STAINLESS STEEL

- **Maintain the Cleanliness of Your Equipment** – Avoid build-up of hard stains by cleaning frequently. Use cleaners at the recommended strength (alkaline chlorinated or non-chloride).
- **Use the Correct Cleaning Tools** – Use non-abrasive tools when cleaning your stainless steel products. The stainless steel's passive layer will not be harmed by soft cloths and plastic scouring pads.
- **Clean Along Polishing Lines** – Polishing lines ("grain") are visible on some stainless steels. Always scrub parallel to polishing lines when visible. Use a plastic scouring pad or soft cloth when you cannot see the grain.
- **Use Alkaline, Alkaline-Chlorinated or Non-Chloride Cleaners** – While many traditional cleaners are loaded with chlorides, the industry is providing an ever increasing choice of non-chloride cleaners. If you are not sure of your cleaner's chloride content, contact your cleaner supplier. If they tell you that your present cleaner contains chlorides, ask if they have an alternative. Avoid cleaners containing quaternary salts, as they can attack stainless steel, causing pitting and rusting.
- **Rinse** – When using chlorinated cleaners, you must rinse and wipe dry immediately. It is better to wipe standing cleaning agents and water as soon as possible. Allow the stainless steel equipment to air dry. Oxygen helps maintain the passivity film on stainless steel.
- **Never Use Hydrochloric Acid (Muriatic Acid) on Stainless Steel** – Even diluted, hydrochloric acid can cause corrosion, pitting and stress corrosion cracking of stainless steel.
- **Water Treatment** – To reduce deposits, soften hard water when possible. Installation of certain filters can remove corrosive and distasteful elements. Salts in a properly maintained water softener can also be to your advantage. Contact a treatment specialist if you are not sure of the proper water treatment.
- **Regularly Restore & Passivate Stainless Steel** – Stainless steel gets its stainless properties from the protective chromium oxides on its surface. If these oxides are removed by scouring, or by reaction with harmful chemicals, then the iron in the steel is exposed and can begin to oxidize, or rust. Passivation is a chemical process that removes free iron and other contaminants from the surface of stainless steel, allowing the protective chromium oxides to re-form.

## COMPONENT REPLACEMENT

- Replace components with original equipment manufacturer (OEM) components. OEM parts minimize the risk of possible ignition due to incorrect parts. True is not responsible for defects or damage caused by parts not approved by TRUE. Warranty will be voided for any damage caused by a non-OEM part.
- Have a licensed service provider service your unit to minimize the risk of possible ignition due to incorrect parts or improper service and to ensure the operator’s health and safety.

## SERIAL LABEL LOCATION

The serial label is located on the left wall near the freezer wire basket or the refrigerator upper drawer. See fig. 1.

This label contains important information such as your model name and serial number. Please have this information on hand when contacting True so we can better assist you with your service- or parts-related inquiries.



FIG. 1. Serial label location.

## CONTACT INFORMATION

### CUSTOMER SERVICE

Phone: 888-616-8783  
info@true-residential.com

### WARRANTY DEPARTMENT

Phone: 844-849-6179  
TrueResidentialWarranty@truemfg.com

### TECHNICAL SUPPORT DEPARTMENT

Phone: 844-746-9423  
TrueResidentialService@truemfg.com

TO VIEW AND DOWNLOAD THE WARRANTY INFORMATION  
FOR USA & CANADA, PLEASE SCAN THE QR CODE BELOW.



## CONTACT US

[true-residential.com](http://true-residential.com)

636.240.2400 | toll free 888.616.8783



PRESERVE THE MOMENT®



212530-M

EA&BC\_251603\_04.25