

# LG SIGNATURE

## LSIU6339XE

LG SIGNATURE 30" Induction Range with Camera

- Dynamic ProBake® Convection
- EasyClean® with Self Clean
- Glass Touch (SmoothTouch™)
- 6.8" Color TFT LCD
- WideView™ Window
- ThinQ®

KEY FEATURES



Knob



Drawer



ThinQ App



PRODUCT FEATURES

SUMMARY		APPEARANCES		SMART FEATURES	
Type	Electric Single Oven Slide-In	Available Colors	Anti-Finger Stainless Steel	ThinQ® (Wi-Fi Enabled)	Yes
Oven Capacity (cu.ft.)	6.3	Knobs	Aluminum	ThinQ Up	Yes
Color	PrintProof™ Stainless Steel	Knobs Material	Aluminum	Check & Control	Yes
<b>CAPACITY</b>		Knob Lighting (Backlit Dial Knob)	Yes	Voice Control	Google Assistant & Amazon Alexa
Oven Capacity (cu.ft.)	6.3	Handle	Aluminum	Smart Recipe (3rd Party Recipe App)	Sidechef
Storage Drawer Capacity (cu.ft.)	0.8 (no Handle)	Handle Material	Aluminum	Proactive Customer Care	Yes
<b>COOKTOP</b>		Handle Type	Bar Type	SmartDiagnosis™	Yes
Type	Induction + Radiant	PrintProof™ Finish	Yes	Camera	Yes
No of Radiant Elements	5 (4 Induction; 1 Radiant)	Oven Door Feature	WideView™ Window	<b>POWER/RATINGS</b>	
Element Size/Wattage - Left Rear	3300 (Boost)/ 1650 (Normal) (7")	Cooktop Finish	Black Ceramic + Gray Pattern	Amp Rating at 208V	52.7A
Element Size/Wattage - Right Rear (Warm)	100 (6")	<b>DRAWER FEATURES</b>		Amp Rating at 240V	54.0A
Element Size/Wattage - Left Front	3300 (Boost) / 1650 (Normal) (7")	Type	Storage	KW Rating at 208V	10.2kW
Element Size/Wattage - Right Front	4300 (Boost) / 2400 (Normal) (11")	Levels	-	KW Rating at 240V	12.1kW
Element Size/Wattage - Center Rear	1800 (Boost) / 1300 (Normal) (6")	Time Control	No	Required Power Supply (amp)	40A
Hot Surface Neon Lamp Indicator	Yes	<b>CONTROL</b>		<b>ENERGY</b>	
<b>OVEN FEATURES</b>		Cooktop Control Type	Front Control Knobs	ENERGY STAR® Certified	Yes
Broil Element (BTU)	Sheath (4.2kW)	Flex Control Knob	Yes	Energy Consumption (kWh/Year)	189
Convection (Watt)	Sheath 2500W	Oven Control Type	Glass Touch (SmoothTouch™)	<b>DIMENSIONS / CLEARANCES/ WEIGHT</b>	
Convection Fan	(BLDC (DC 24V/500~2600rpm), forward and reverse rotation)	Display	6.8" Color TFT LCD	Shipping Weight	234.8 lbs.
Convection Type	Dynamic ProBake® Convection	Language	English/ Spanish/ French	Product Weight	158.7 lbs.
Oven Mode	Bake, Conv. Bake, Conv. Roast, Broil High, Broil Low, Warm, Proof, Frozen Meal, Air Fry, Air Sous-Vide, Air Roast, Pizza, Crispy Reheat, Dehydrate, Auto cook, EasyClean®, Self Clean	Clock	12hr or 24hr (Option)	Cabinet Width	30"
Oven Control Features	Glass Touch (SmoothTouch™)	Kitchen Timer	Yes	Overall Depth without handle	26 7/8"
Convection Conversion	Yes	Timed Cook	Yes	Overall Depth including handle	29 5/16"
EasyClean®	Yes	Temperature Unit of Measure	Fahrenheit / Celsius	Overall Height	36 1/2"
EasyClean® Time	10 mins	Cooking Complete Reminder Volume	Beeper (Hi, Lo, Off)	Overall Width	29 7/8"
Self Clean	Yes	Certified Sabbath mode	Yes	Oven Interior Dimensions (W x H x D)	24 7/8" x 21 3/8" x 20"
No. of Rack Positions	7	<b>ACCESSORIES</b>		Height to Cooking Surface	36"
Door Lock	Yes	Gliding Rack	1	Drawer Dimensions (W x H x D)	22 3/16" x 4 1/2" x 16 3/8"
Automatic Safety Shut-Down	Broil, Warm, Pizza : After 3 hours Air sous-vide : After 48 hours Esc : After 12 hours	Air Fry Tray	1	Carton Dimensions (W x H x D)	32 1/2" x 44" x 30 1/2"
InstaView	Yes	Heavy Duty Rack	2	<b>LIMITED WARRANTY</b>	
		Temperature Probe	1	Parts and Labor	2 Year
		Scouring Pad	1	<b>UPC CODE</b>	
		Cooktop Cream/ Cleaner	1	LSIU6339XE	048231349666
		Grid	1		
		Broiler Pan	1		
		Rear Filler	1		
		Rubber Gasket	2		

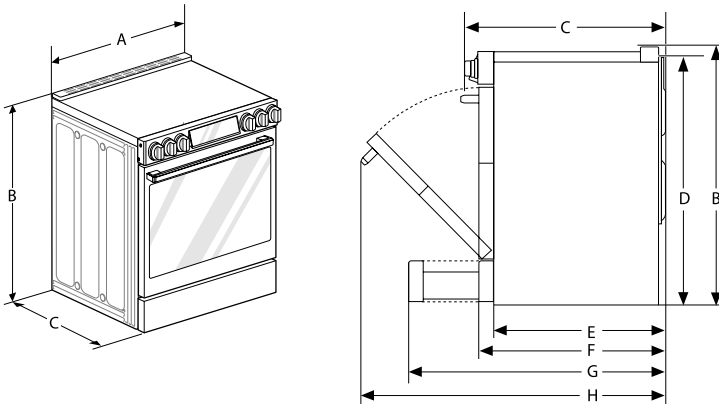
# LSIU6339XE

30" Gas Range with Camera

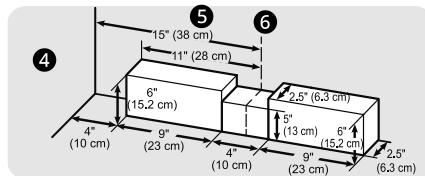
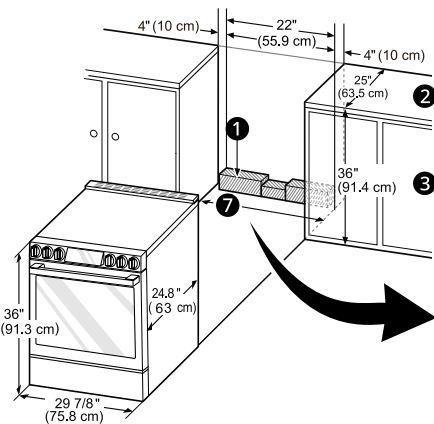
## QUICK INSTALL & CLEARANCES

For full installation directions/clearances please refer to the corresponding User Manual and Installation Guide.

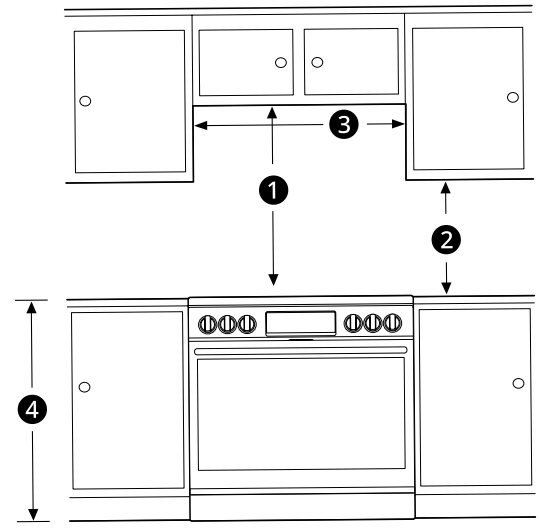
### PRODUCT DIMENSIONS



DIMENSION	
A	Width 29 7/8" (758.8 mm)
B	Height 37 1/2" (927.1 mm)
C	Depth with Door Handle 29 5/16" (744.5 mm)
D	Height (Excludes Vent Trim) 36" (913.0 mm)
E	Depth (Includes only the product body that is loaded into the cabinet. Excludes door, drawer, and handles) 24 3/4" (629.4 mm)
F	Depth (Excludes Door Handle) 26 7/8" (683 mm)
G	Depth when drawer is fully opened 36 1/16" (916.2 mm)
H	Depth when door is fully opened 48 5/8" (1 235.9 mm)



### CLEARANCE



MINIMUM DIMENSIONS	
1	Width 30" (76.2 cm)
2	Height 15" (38.1 cm)
3	Depth with Door Handle 30" (76.2 cm)
4	Height (Excludes Vent Trim) 36" (91.3 cm)

#### NOTE

- 1 30" (76.2 cm) minimum clearance between the top of the cooking surface and the bottom of an unprotected wood or metal cabinet; or 24" (60.9 cm) minimum when bottom of wood or metal cabinet is protected by not less than 1/4" (0.64 cm) flame retardant millboard covered with not less than no. 28 MSG sheet steel, 0.015" (0.381 mm) stainless steel, 0.024" (0.610 mm) aluminum or 0.020" (0.508 mm) copper.
- 2 15" (38.1 cm) minimum between countertop and adjacent cabinet bottom.
- Important – Save for the use of the local electrical inspector.
- For installation in Canada, a free-standing range is not to be installed closer than 15/32" (12 mm) from any adjacent surface.

### CLEARANCE

1	Acceptable Electrical Outlet Area	2	Normal Countertop Depth
3	Counter Top Height	4	Cabinet
5	Wall	6	Center
7	Cabinet Opening = 30" (76.2 cm) For U.S.A = 30" (76.2 cm) - 31" (78.7 cm) For CANADA		

#### CAUTION

The height of the countertop after leveling the range should be higher than the surface height of the oven cooktop glass to prevent damage caused by impact on the glass rim.

#### ELECTRICITY

- The range should always be plugged into its own individual properly grounded electrical outlet
- This prevents overloading house wiring circuits which could cause a fire hazard from overheated wires.
- It is recommended that a separate circuit serving only this appliance be provided.