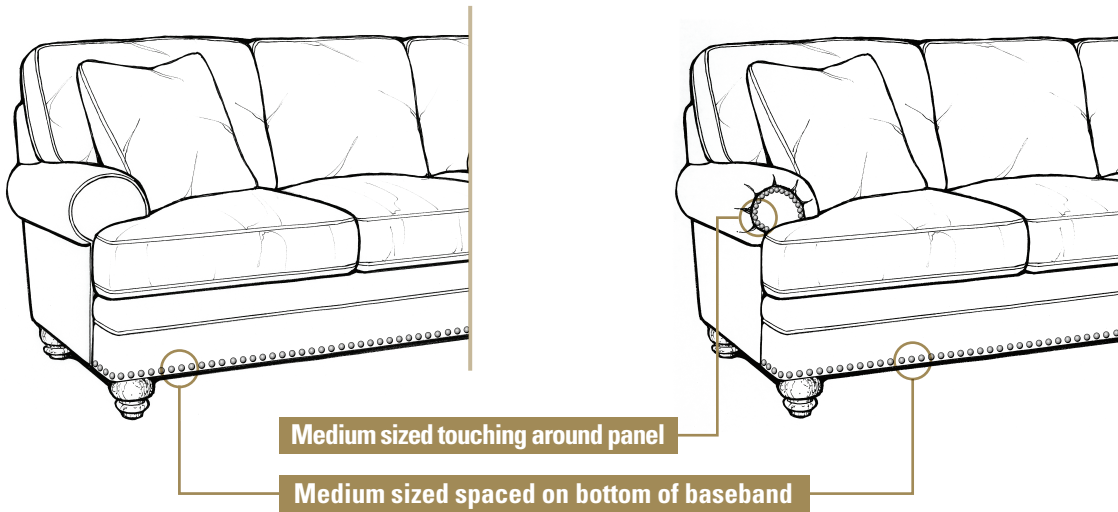


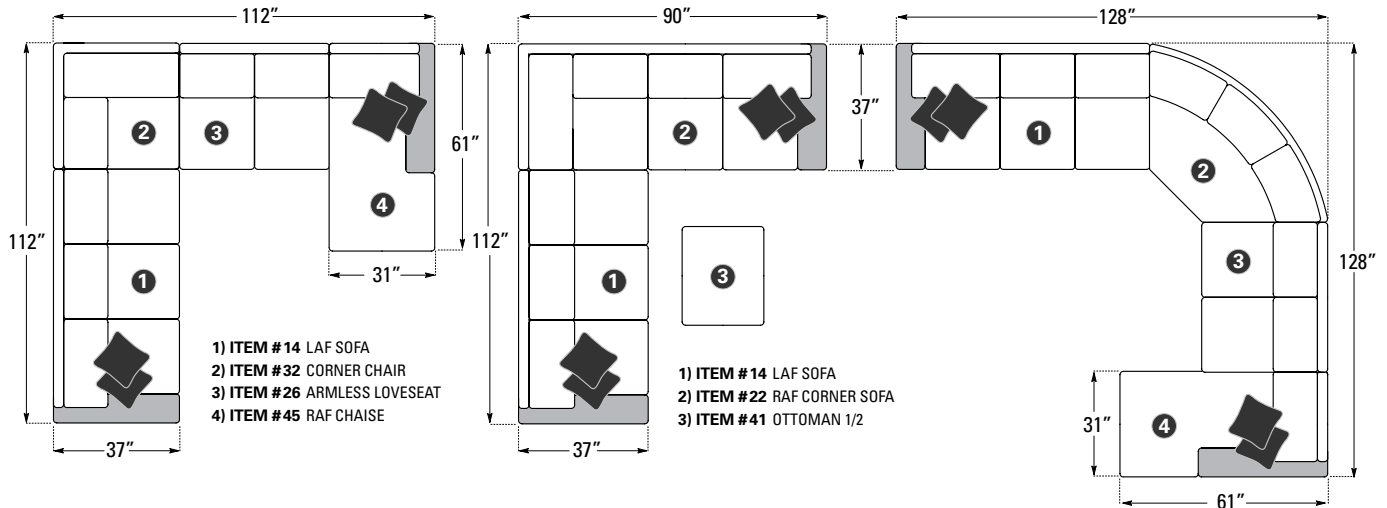
# NAILHEAD OPTIONS

The 5000 series is not standard with nailhead, however it is an option. If nailhead is selected, it will be applied in the format shown below. Nailhead will be applied to the bottom of the baseband, as long as there is no skirt. It may be applied to the Panel Arm only, as the other arms cannot accept nailhead.



# SAMPLE CONFIGURATIONS

**SAMPLE CONFIGURATION DIMENSIONS REPRESENT PANEL AND SOCK ARMS WITH SEMI-ATTACHED BACKS (SEE BELOW FOR EXCEPTIONS).** Diagrams below are not to scale. All dimensions are approximate and subject to change without notice.



- 1) ITEM # 14 LAF SOFA
- 2) ITEM # 32 CORNER CHAIR
- 3) ITEM # 26 ARMLESS LOVESEAT
- 4) ITEM # 45 RAF CHAISE

- 1) ITEM # 14 LAF SOFA
- 2) ITEM # 22 RAF CORNER SOFA
- 3) ITEM # 41 OTTOMAN 1/2

- 1) ITEM # 14 LAF SOFA
- 2) ITEM # 53 WEDGE
- 3) ITEM # 26 ARMLESS LOVESEAT
- 4) ITEM # 45 RAF CHAISE

## COMMON DIMENSIONS (unless otherwise noted)

OVERALL HEIGHT (see exceptions).....	38"
OVERALL DEPTH (see exceptions).....	37"
SEAT HEIGHT.....	20"
SEAT DEPTH (see exceptions).....	21"
ARM HEIGHT.....	24"

## NOTE

See [smithbrothersfurniture.com](http://smithbrothersfurniture.com) for more detailed dimensions for the Wedge (-53), End Wedge (-54/-55), and Conversation Sofa (-12).

## LOOSE PILLOW BACK EXCEPTIONS

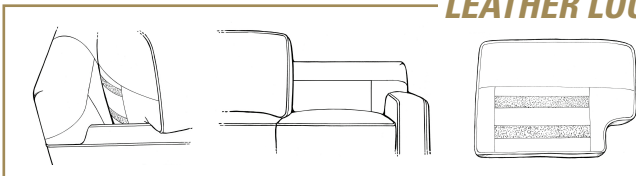
Add 1" to overall depth and overall height for pieces with loose pillow backs. Seat depth does not change.

L/RAF CORNER SOFA OVERALL LENGTH .....	91"
CORNER CHAIR OVERALL LENGTH .....	38"
CONVERSATION SOFA LENGTH .....	106"
WEDGE DIAGONAL LENGTH .....	74"

## TRACK ARM EXCEPTIONS

Subtract 2" PER ARM from overall frame length. Inside length does not change.

## LEATHER LOOSE PILLOW BACKS



Leather loose pillow backs feature a versatile fastening system. This method keeps the back cushions in place, as leather has a tendency to be slippery, causing them to slide down over the seat cushion.

# 5000 SERIES | AVAILABLE PIECES

Website Version - Not to Scale  
 PILLOWS ARE NOT STANDARD ON LEATHER.

## EXCEPTIONS

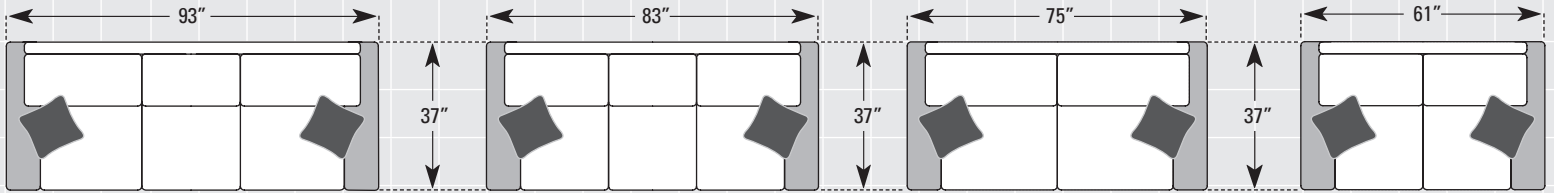
**TRACK ARM:** Subtract 2" PER ARM from overall frame length. Inside length does not change.

**LOOSE PILLOW BACK:** Add 1" to overall depth and overall height for pieces with loose pillow backs. Seat depth does not change.

See inside for additional exceptions. All dimensions are approximate and subject to change without notice.

Visit [smithbrothersfurniture.com](http://smithbrothersfurniture.com) for more detailed dimensions for the Wedge (-53), End Wedge (-54/-55), and Conversation Sofa (-12).

LAF = Left Arm Facing, RAF = Right Arm Facing

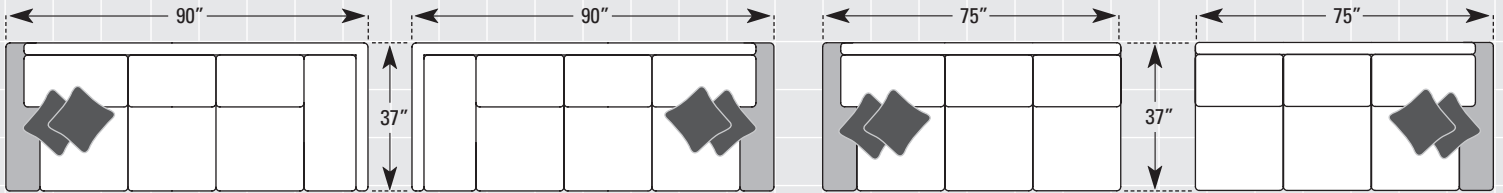


ITEM #13 LARGE SOFA  
 INSIDE LENGTH: 76"

ITEM #10 SOFA  
 INSIDE LENGTH: 66"

ITEM #11 MID-SIZE SOFA  
 INSIDE LENGTH: 58"

ITEM #20 LOVESEAT  
 INSIDE LENGTH: 44"

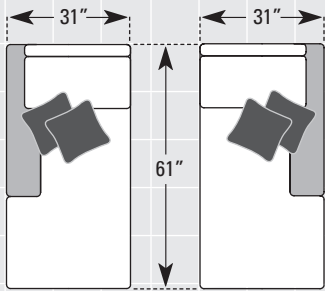


ITEM #21 LAF CORNER SOFA  
 INSIDE LENGTH: 65"

ITEM #22 RAF CORNER SOFA  
 INSIDE LENGTH: 65"

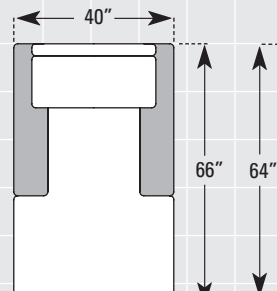
ITEM #14 LAF SOFA  
 INSIDE LENGTH: 66"

ITEM #15 RAF SOFA  
 INSIDE LENGTH: 66"



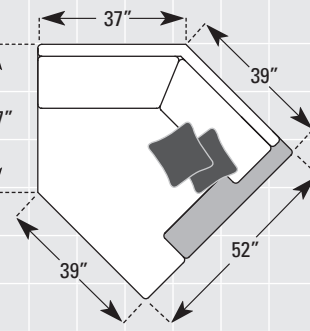
ITEM #44 LAF CHAISE  
 INSIDE LENGTH: 22"  
 SEAT DEPTH: 45"

ITEM #45 RAF CHAISE  
 INSIDE LENGTH: 22"  
 SEAT DEPTH: 45"

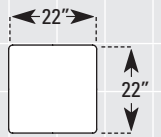


ITEM #43 CHAISE  
 INSIDE LENGTH: 23"  
 SEAT DEPTH: 50"

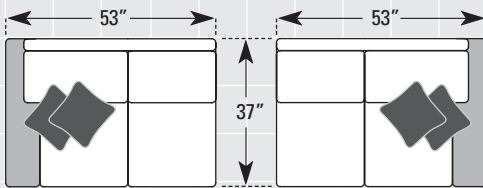
ITEM #54 LAF END WEDGE  
 SEAT DEPTH: 37"



ITEM #55 RAF END WEDGE  
 SEAT DEPTH: 37"

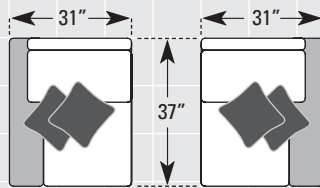


ITEM #42  
 CHAISE  
 OTTOMAN  
 HEIGHT: 20"



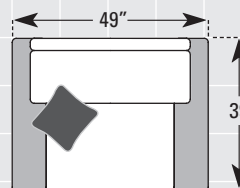
ITEM #24 LAF LOVESEAT  
 INSIDE LENGTH: 44"

ITEM #25 RAF LOVESEAT  
 INSIDE LENGTH: 44"

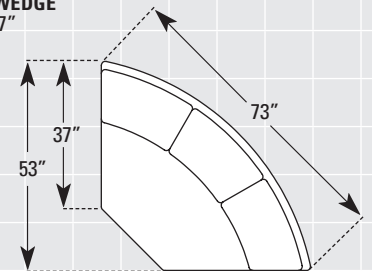


ITEM #34 LAF CHAIR  
 INSIDE LENGTH: 22"

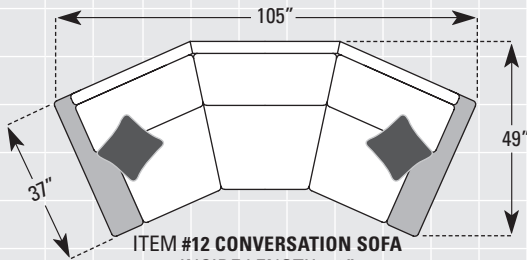
ITEM #35 RAF CHAIR  
 INSIDE LENGTH: 22"



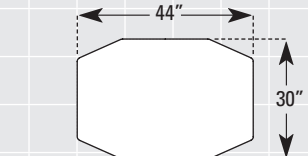
ITEM #31 CHAIR 1/2  
 INSIDE LENGTH: 32"  
 SEAT DEPTH: 23"



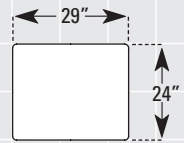
ITEM #53 WEDGE



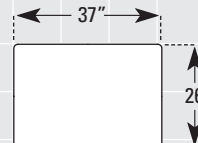
ITEM #12 CONVERSATION SOFA  
 INSIDE LENGTH: 78"



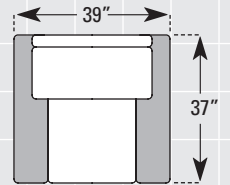
ITEM #51 ANGULAR OTTOMAN  
 HEIGHT=17"  
 LEGS ARE NOT AVAILABLE ON THE  
 ANGULAR OTTOMAN. ORDER IT AS:  
 5100-51: SKIRT OR 5400-51: BASEBAND  
 (BOTH ARE STANDARD WITH CASTERS)



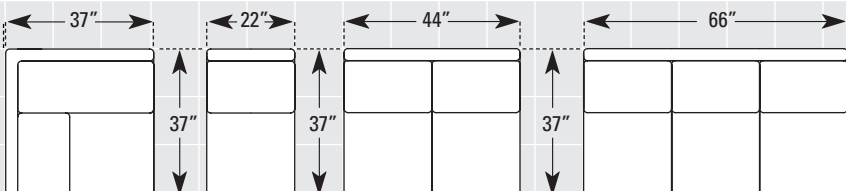
ITEM #40 OTTOMAN  
 HEIGHT: 17"



ITEM #41 OTTOMAN 1/2  
 HEIGHT: 17"



ITEM #30 CHAIR  
 INSIDE LENGTH: 22"

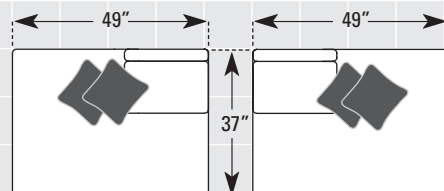


ITEM #32  
 CORNER CHAIR  
 INSIDE LENGTH: 21"

ITEM #36  
 ARMLESS  
 CHAIR

ITEM #26  
 ARMLESS LOVESEAT

ITEM #16  
 ARMLESS SOFA



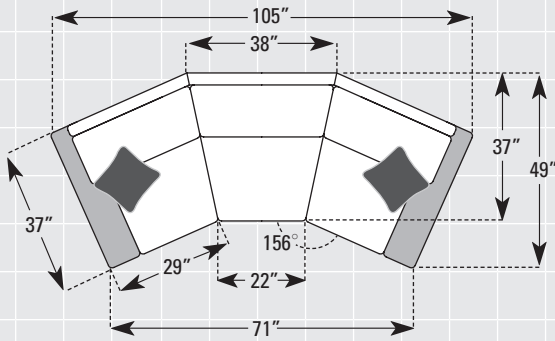
ITEM #64  
 LF BUMP CHAISE

ITEM #65  
 RF BUMP CHAISE

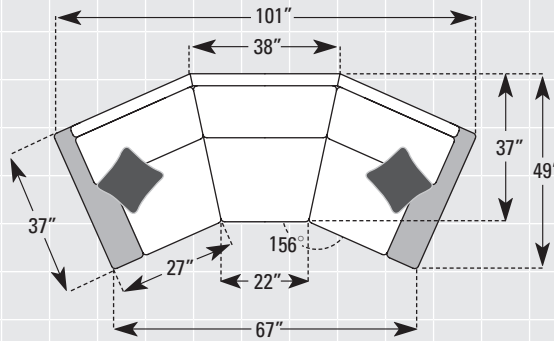
# 5000 SERIES | 5xxx-12 Conversation Sofa

WEB VERSION: DIAGRAMS ARE NOT TO SCALE  
ALL DIMENSIONS ARE APPROXIMATE

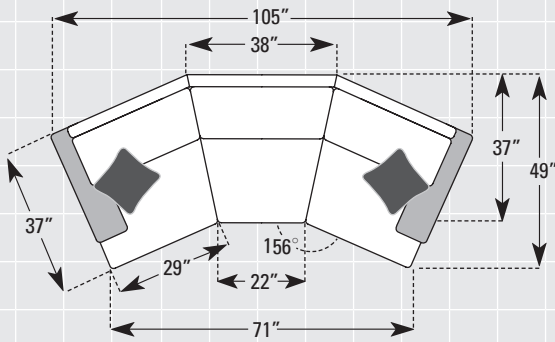
WRITE YOUR ORDER **5** **1** **2** **3** - ITEM #  
BASE ARM BACK



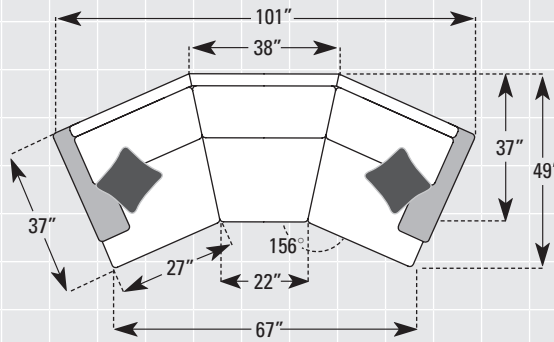
**5x51-12/5x61-12 CONVERSATION SOFA**  
SOCK ARM/PANEL ARM  
STRAIGHT CUSHION, SEMI-ATTACHED BACK  
OVERALL HEIGHT: 38"



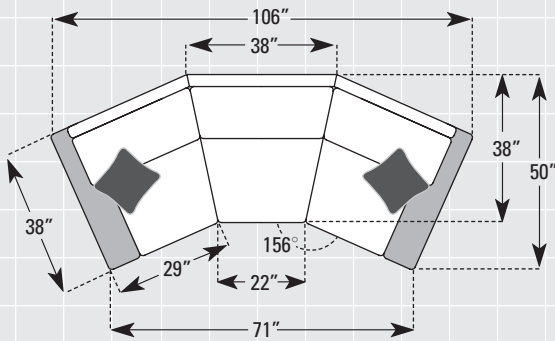
**5x71-12 CONVERSATION SOFA**  
TRACK ARM  
STRAIGHT CUSHION, SEMI-ATTACHED BACK  
OVERALL HEIGHT: 38"



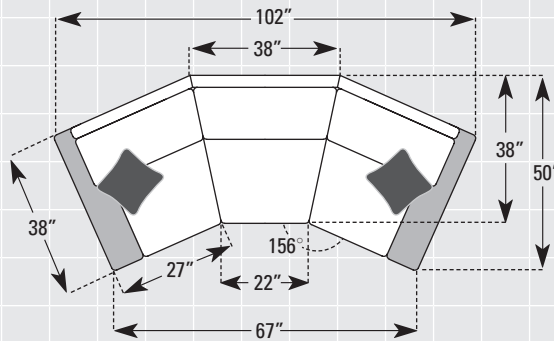
**5x51-12/5x61-12 CONVERSATION SOFA**  
SOCK ARM/PANEL ARM  
T-CUSHION, SEMI-ATTACHED BACK  
OVERALL HEIGHT: 38"



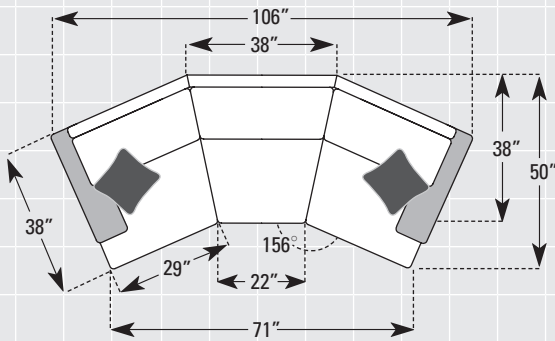
**5x31-12 CONVERSATION SOFA**  
TRACK ARM  
T-CUSHION, SEMI-ATTACHED BACK  
OVERALL HEIGHT: 38"



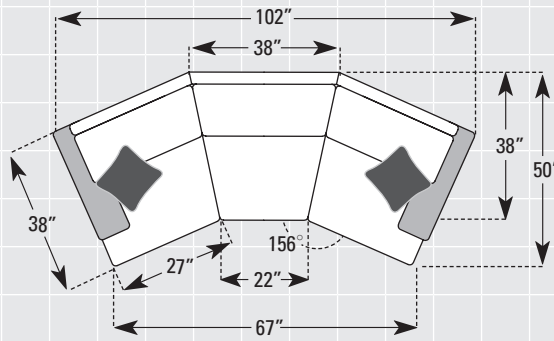
**5x52-12/5x61-12 CONVERSATION SOFA**  
SOCK ARM/PANEL ARM  
STRAIGHT CUSHION, LOOSE PILLOW BACK  
OVERALL HEIGHT: 39"



**5x72-12 CONVERSATION SOFA**  
TRACK ARM  
STRAIGHT CUSHION, LOOSE PILLOW BACK  
OVERALL HEIGHT: 39"

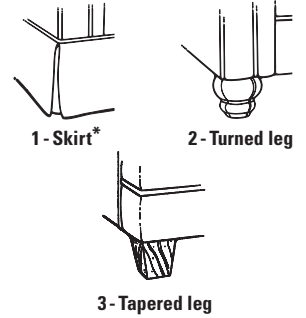


**5x52-12/5x61-12 CONVERSATION SOFA**  
SOCK ARM/PANEL ARM  
T-CUSHION, LOOSE PILLOW BACK  
OVERALL HEIGHT: 39"

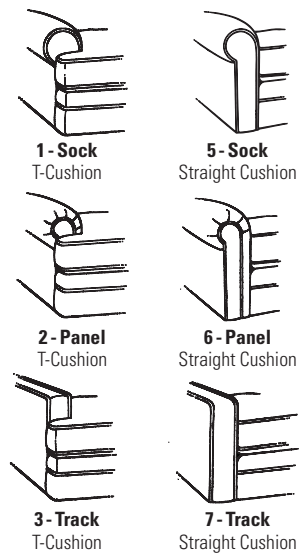


**5x32-12 CONVERSATION SOFA**  
TRACK ARM  
T-CUSHION, LOOSE PILLOW BACK  
OVERALL HEIGHT: 39"

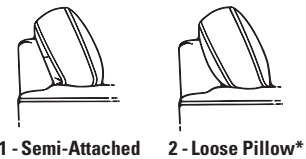
## 1 CHOOSE YOUR **BASE**



## 2 CHOOSE YOUR **ARM**



## 3 CHOOSE YOUR **BACK**



**COMMON DIMENSIONS:**  
SEAT HEIGHT.....20"  
ARM HEIGHT.....24"  
SEAT DEPTH.....21"

Fabric sofas come standard with one pair of 20" style #13 pillows. Leather is not standard with pillows. Please refer to the price list for details.



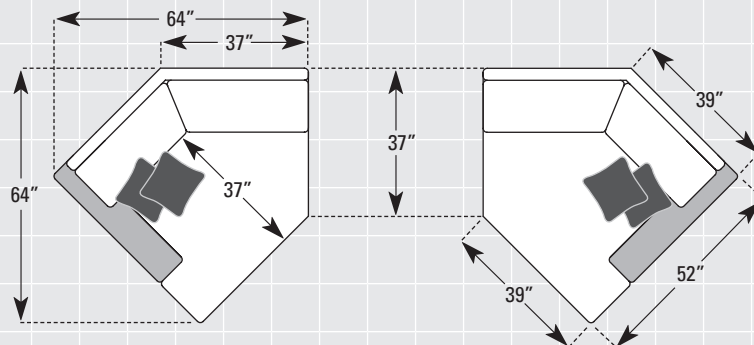
**NOTE:** Style code examples with an x represent the possibility for multiple choices in the style codes shown. For example, base choices do not affect dimensions and are represented with an x in the diagram 5x32-12.

For more information, visit [www.smithbrothersfurniture.com](http://www.smithbrothersfurniture.com).

# 5000 SERIES | 5xxx-54/55 End Wedge

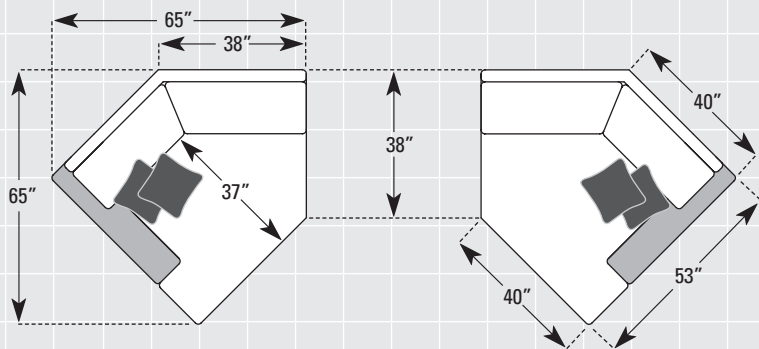
WEB VERSION: DIAGRAMS ARE NOT TO SCALE  
ALL DIMENSIONS ARE APPROXIMATE

LAF = Left Arm Facing  
RAF = Right Arm Facing



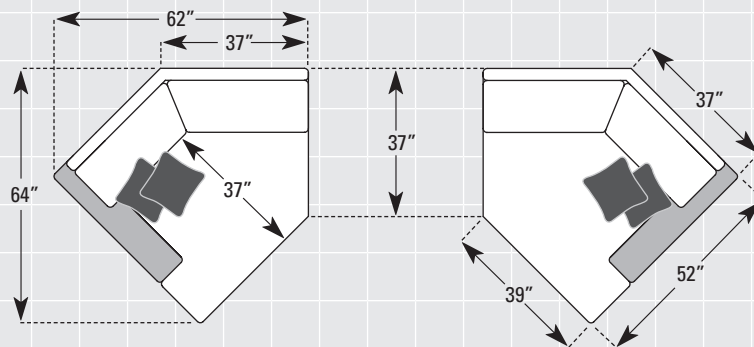
**5x1-54 LAF END WEDGE**  
SOCK ARM (5x11-54, 5x51-54)  
PANEL ARM (5x21-54, 5x61-54)  
STRAIGHT/T-CUSHION, SEMI-ATTACHED BACK  
OVERALL HEIGHT: 38" SEAT DEPTH: 37"

**5x1-55 RAF END WEDGE**  
SOCK ARM (5x11-55, 5x51-55)  
PANEL ARM (5x21-55, 5x61-55)  
STRAIGHT/T-CUSHION, SEMI-ATTACHED BACK  
OVERALL HEIGHT: 38" SEAT DEPTH: 37"



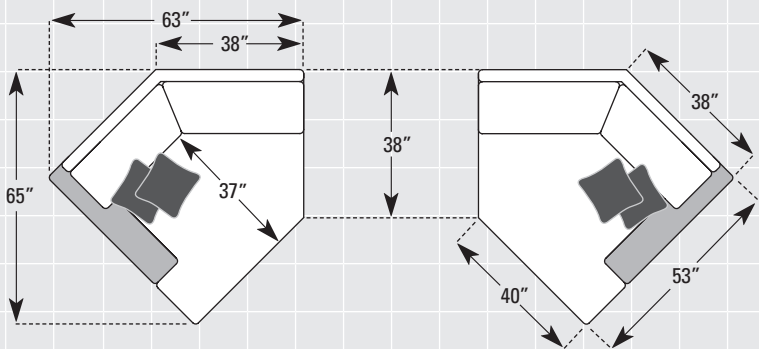
**5x2-54 LAF END WEDGE**  
SOCK ARM (5x12-54, 5x52-54)  
PANEL ARM (5x22-54, 5x62-54)  
STRAIGHT/T-CUSHION, LOOSE PILLOW BACK  
OVERALL HEIGHT: 39" SEAT DEPTH: 37"

**5x2-55 RAF END WEDGE**  
SOCK ARM (5x12-55, 5x52-55)  
PANEL ARM (5x22-55, 5x62-55)  
STRAIGHT/T-CUSHION, LOOSE PILLOW BACK  
OVERALL HEIGHT: 39" SEAT DEPTH: 37"



**5x31-54/5x71-54 LAF END WEDGE**  
TRACK ARM  
STRAIGHT/T-CUSHION, SEMI-ATTACHED BACK  
OVERALL HEIGHT: 38" SEAT DEPTH: 37"

**5x31-55/5x71-55 RAF END WEDGE**  
TRACK ARM  
STRAIGHT/T-CUSHION, SEMI-ATTACHED BACK  
OVERALL HEIGHT: 38" SEAT DEPTH: 37"

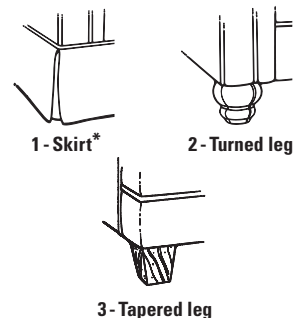


**5x32-54/5x72-54 LAF END WEDGE**  
TRACK ARM  
STRAIGHT/T-CUSHION, LOOSE PILLOW BACK  
OVERALL HEIGHT: 39" SEAT DEPTH: 37"

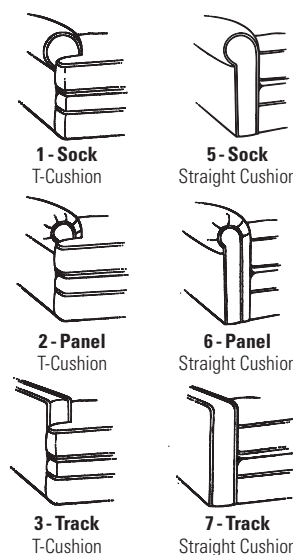
**5x32-55/5x72-55 RAF END WEDGE**  
TRACK ARM  
STRAIGHT/T-CUSHION, LOOSE PILLOW BACK  
OVERALL HEIGHT: 39" SEAT DEPTH: 37"

WRITE YOUR ORDER 5 ① ② ③ - ITEM #  
BASE ARM BACK

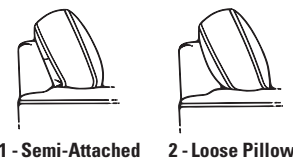
## 1 CHOOSE YOUR BASE



## 2 CHOOSE YOUR ARM



## 3 CHOOSE YOUR BACK



COMMON DIMENSIONS:  
SEAT HEIGHT.....20"  
ARM HEIGHT.....24"  
SEAT DEPTH.....21"



Fabric sofas come standard with one pair of 20" style #13 pillows. Leather is not standard with pillows. Please refer to the price list for details.

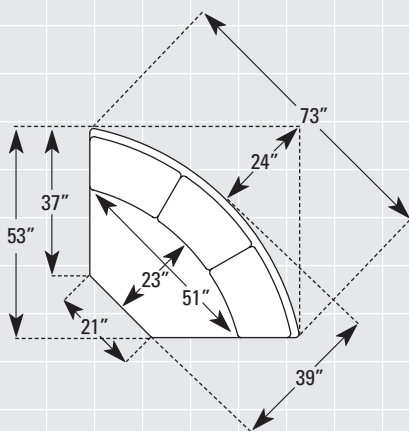
NOTE: Style code examples with an x represent the possibility for multiple choices in the style codes shown. For example, base choices do not affect dimensions and are represented with an x in the diagram 5x32-55. End wedges will always feature T-cushions, even when ordered with straight cushion arms.

For more information, visit [www.smithbrothersfurniture.com](http://www.smithbrothersfurniture.com).

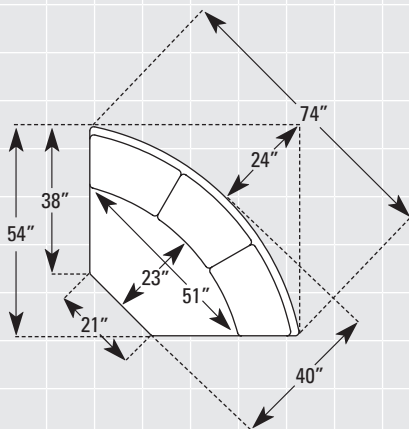
# 5000 SERIES | 5xxx-53 Wedge

WEB VERSION: DIAGRAMS ARE NOT TO SCALE  
ALL DIMENSIONS ARE APPROXIMATE

WRITE YOUR ORDER **5** **1** **2** **3** - ITEM #  
BASE ARM BACK

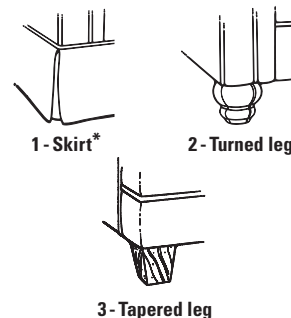


**5x1-53 SEMI-ATTACHED BACK WEDGE**  
SOCK ARM (5x11-53, 5x51-53)  
PANEL ARM (5x21-53, 5x61-53)  
TRACK ARM (5x31-53, 5x71-53)  
STRAIGHT/T-CUSHION  
OVERALL HEIGHT: 38"

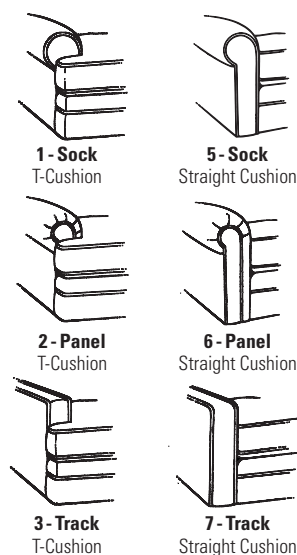


**5x2-53 LOOSE PILLOW BACK WEDGE**  
SOCK ARM (5x12-53, 5x52-53)  
PANEL ARM (5x22-53, 5x62-53)  
TRACK ARM (5x32-53, 5x72-53)  
STRAIGHT/T-CUSHION  
OVERALL HEIGHT: 39"

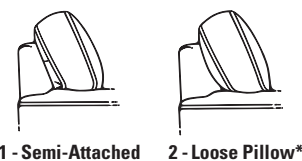
## 1 CHOOSE YOUR **BASE**



## 2 CHOOSE YOUR **ARM**



## 3 CHOOSE YOUR **BACK**



COMMON DIMENSIONS:  
SEAT HEIGHT.....20"

Fabric sofas come standard with one pair of 20" style #13 pillows. Leather is not standard with pillows. Please refer to the price list for details.



NOTE: Style code examples with an x represent the possibility for multiple choices in the style codes shown. For example, base choices do not affect dimensions and are represented with an x in the diagram 5x32-53.

For more information, visit [www.smithbrothersfurniture.com](http://www.smithbrothersfurniture.com).